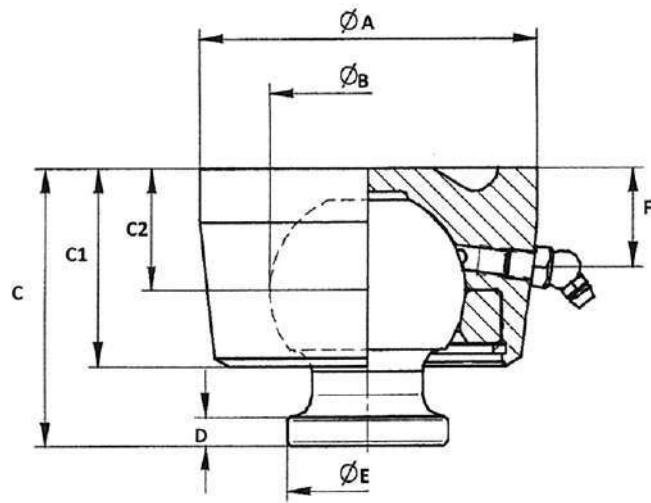


## ATTACCHI A SFERA PER CILINDRI / BALL JOINTS FOR CYLINDERS



CODICE CODE	$\varnothing B$ mm.	$\varnothing A$ mm.	C mm.	C1 mm.	C2 mm.	D mm.	$\varnothing E$ mm.	F mm.	PORTATA MAX Ton. MAX CAPACITY Ton.	PESO Kg. WEIGHT Kg.
01.00087	55	95	77	55	34	8	45	27	15	3
01.00088	65	108	88	58	37	9	64	28	23	4