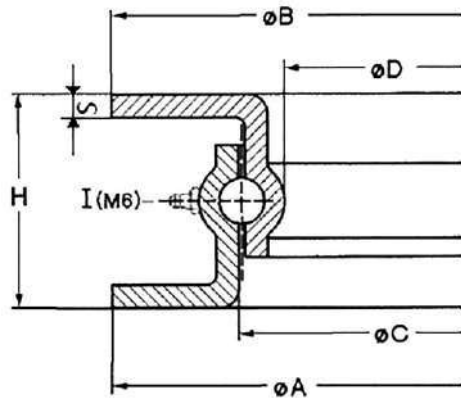


RALLE AGRICOLE / AGRICULTURAL BALL BEARING RINGS



TIPO "NU" / "NU" TYPE

CODICE CODE	ϕ mm.				S mm.	H mm.	ϕ SFERE mm. ϕ BALLS mm.	CARICO ASSIALE ton. AXIAL CAPACITY ton.	PESO WEIGHT (Kg.)
	A	B	C	D					
03.00201	500	500	410	395	7	65	12	1	15
03.00202	600	600	510	485	7	65	14	1.7	18
03.00203	650	650	560	535	7	65	14	1.7	20
03.00204	700	700	610	585	7	65	14	2.2	22
03.00205	750	750	660	635	7	65	14	2.2	24
03.00206	800	800	710	685	7	65	14	2.5	26
03.00207	850	850	760	735	8	65	14	3	28
03.00208	900	900	810	785	8	65	14	3.5	30
03.00209	950	950	860	835	8	65	14	3.5	31
03.00210	1000	1000	910	885	8	65	14	4	33
03.00211	1050	1050	960	935	8	65	14	4.5	35