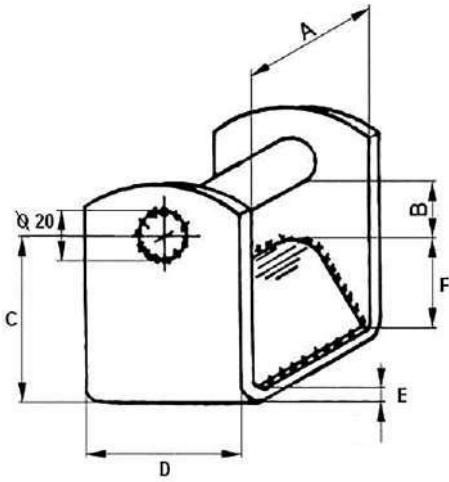


SUPPORTI A SLITTA / SLIDE SUPPORTS



CODICE CODE	A mm.	B mm.	C mm.	D mm.	E mm.	F mm.	PESO Kg. WEIGHT Kg.
04.00239	60	37.5	101.5	70	8	41	1.8
04.00240	70	40	107	70	8.5	40	2.18
04.00241P	80	57	126	80	10	40	3.15