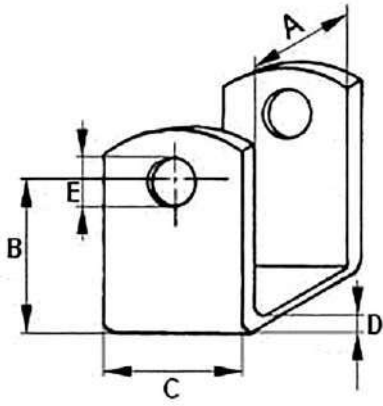


## SUPPORTI A OCCHIO / EYE SUPPORTS



CODICE CODE	A mm.	B mm.	C mm.	D mm.	E mm.	PESO Kg. WEIGHT Kg.
04.00236	60	60	70	8.5	20.3	1
04.00237	70	60	70	8.5	20.3	1
04.00238	80	65	80	10	25.3	1.5