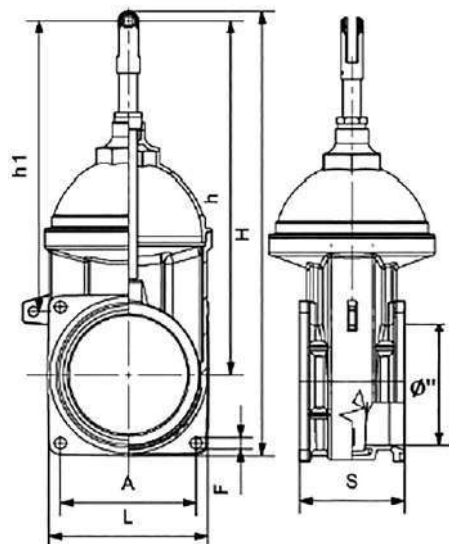


SARACINESCHE / GATE VALVES

A CUPOLA GRANDE CAPIENZA FILETTATA / HIGH CAPACITY CAP THREADED



CODICE CODE	\varnothing''	A mm.	F mm.	H mm.	h mm.	h1 mm.	L mm.	S mm.	PESO Kg. WEIGHT Kg.
06.003521	6"	150	13	490	390	320	180	116	12.5