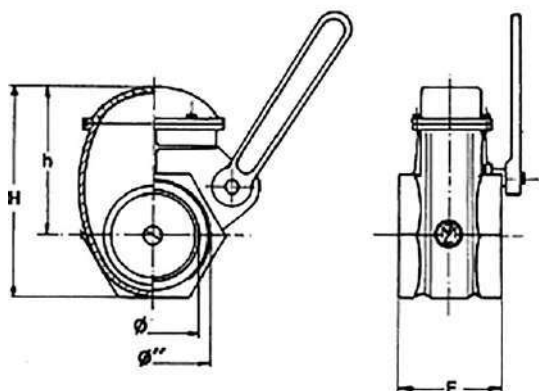


## SARACINESCHE / GATE VALVES

A LEVA FILETTATA / WITH THREADED LEVER



CODICE CODE	Ø" mm.	Ø mm.	F mm.	H mm.	h mm.	PESO Kg. WEIGHT Kg.
06.00368	3"	80	90	170	121	3.5
06.00369	4"	100	100	218	157	6