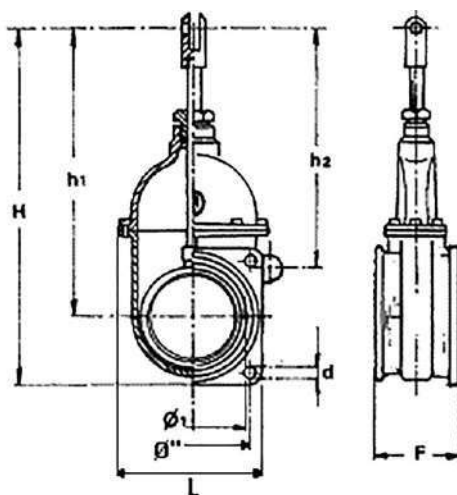


## SARACINESCHE / GATE VALVES

A STANTUFFO FLANGIA-FILETTO / FLANGE-THREAD PISTON



CODICE CODE	$\phi''$	$\phi 1$ mm.	d mm.	F mm.	H mm.	h1 mm.	h2 mm.	L mm.	PESO Kg. WEIGHT Kg.
06.00354	4"	100	13	80	380	290	232	180	5
06.00355	5"	120	13	81	435	345	290	180	6
06.00356	6"	150	13	86	490	400	327	180	8