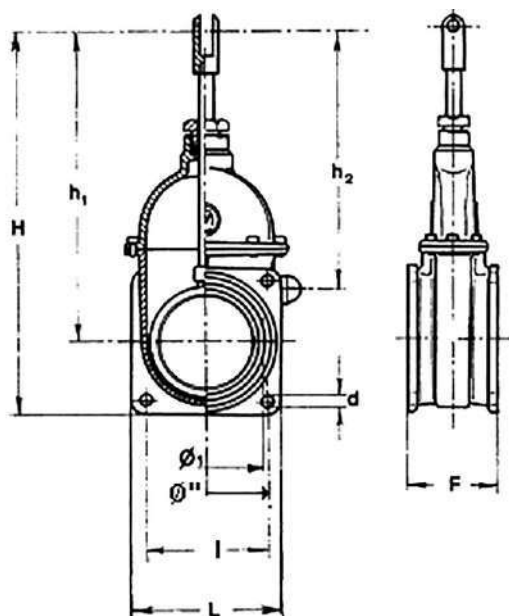


SARACINESCHE / GATE VALVES

A STANTUFFO 2 FLANGE / 2 FLANGES PISTON



CODICE CODE	ϕ''	$\phi 1$ mm.	d mm.	H mm.	h1 mm.	h2 mm.	l mm.	L mm.	F mm.	PESO Kg. WEIGHT Kg.
06.00357	4"	100	13	380	290	236	150	180	90	6
06.00358	5"	120	13	435	345	290	150	180	90	7
06.00359	6"	150	13	490	400	324	150	180	90	8.5
06.00360	8"	200	13	584	470	360	180	228	112	18