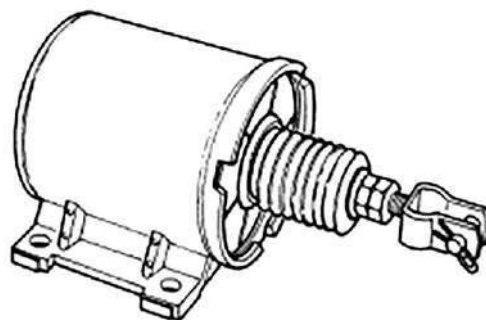


CILINDRI FRENANTI A BASETTA / BASE BRAKE CYLINDERS



CODICE CODE	Ø ALESAGGIO mm. Ø BORE mm.	CORSA mm. STROKE mm.	SPINTA daN PUSH daN	PESO Kg. WEIGHT Kg.
09.00913	70	70	213.9	1.50
09.00914	75	100	256.6	1.70
09.00900	100	55	466.2	1.90
09.00915	100	100	466.5	2.20
09.009141	100	80	467.3	2.10
09.00916	125	65	750.6	2.90