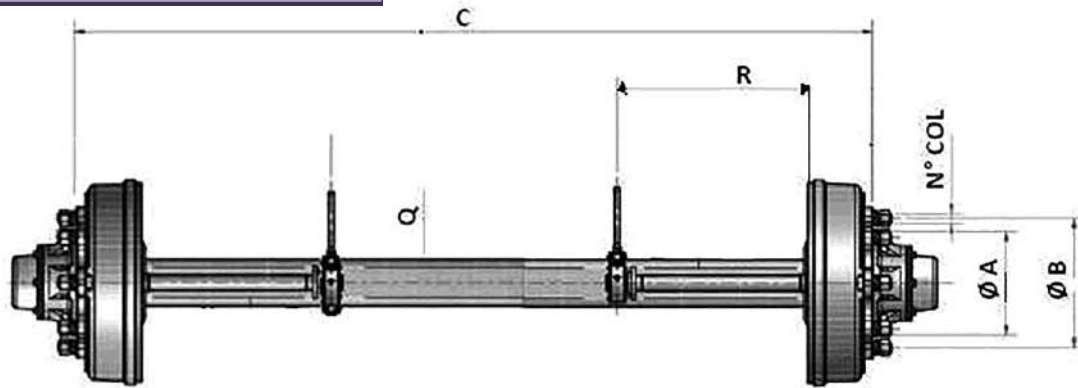


ASSALI CON FRENO / AXLES WITH BRAKE

TIPO MECCANICO / MECHANICAL TYPE



CODICE CODE	Q mm.	C mm.	N° COL STUDS N°	Ø A mm.	Ø B mm.	FRENO BRAKE	CUSCINETTI BEARINGS	R mm.	PORTATA Kg. CAPACITY Kg.	PESO Kg. WEIGHT Kg.
AX030	30	1000	4-12 (Balilla)	62	95	140x30	6204 (20x47) 6205 (25x52)	200	700	15.50
AX031	30	1000	4 -12 (Fiat)	58	98					
AX032	35	1000	4-12 (Balilla)	62	95	140x30	6204 (20x47) 6205 (25x52)	200	800	18.50
AX033	35	1000	4 -12 (Fiat)	58	98					
AX034	40	1000	4-12 (Balilla)	62	95	140x30	6204 (20x47) 6205 (25x52)	200	1000	20
AX035	40	1000	4 -12 (Fiat)	58	98					
AX036	40	1200	5 -16	93	140	200x40	30207 (35x72) 30205 (25x52)	250	1600	33
AX037	45	1300	5 -16	93	140	200x40	30207 (35x72) 30205 (25x52)	250	1700	42
AX039	50	1400	5 -16	93	140	250x60	30209 (45x85)	250	2900	64
AX040	50	1400	6 -18	160	205	250x60	30206 (30x62)			67
AX041	50	1400	6 -18	160	205	300x60				76
AX044	55	1500	6 -18	160	205	300x60	30210 (50x90) 30207 (35x72)	300	3500	91
AX047	60	1500	6 -18	160	205	250x60	30211 (55x100) 30208 (40x80)	300	4000	85
AX048	60	1500	6 -18	160	205	300x60	30211 (55x100)	300	4200	95
AX050	60	1500	6 - 18	160	205	300x90	30208 (40x80)			120
AX051	70	1600	6 -18	160	205	300x60				114
AX053	70	1600	6 - 18	160	205	300x90				145
AX055	70	1600	8 -18	220	275	300x60	30213 (65x120)	300	6800	123
AX057	70	1600	8 -18	220	275	300x90	32210 (50x90)			150
AX058	70	1600	8 -18	220	275	350x60				155
AX059	70	1600	8 -18	220	275	350x80				158
AX061	80	1800	6 -18	160	205	300x60				143
AX063	80	1800	6 -18	160	205	300x90				174
AX065	80	1800	8 -18	220	275	300x60	30213 (65x120)	300	7500	146
AX067	80	1800	8 -18	220	275	300x90	32210 (50x90)			178
AX068	80	1800	8 -18	220	275	350x60				176
AX069	80	1800	8 -18	220	275	350x80				182
AX070	80	1800	8 -18	220	275	400x80				202
AX071	80	1800	6 -18	160	205	300x60	32215 (75x130)	300	8500	155
AX072	80	1800	6 -18	160	205	300x90	32212 (60x110)			182

CODICE CODE	Q mm.	C mm.	N° COL STUDS	Ø A mm.	Ø B mm.	FRENO BRAKE	CUSCINETTI BEARINGS	R mm.	PORTATA Kg. CAPACITY Kg.	PESO Kg. WEIGHT Kg.
AX074	80	1800	8 -18	220	275	300x60	32215 (75x130) 32212 (60x110)	300	8500	165
AX075	80	1800	8 -18	220	275	300x90				203
AX076	80	1800	8 -18	220	275	350x60				190
AX077	80	1800	8 -18	220	275	350x80				198
AX078	80	1800	8 -18	220	275	400x80				215
AX079	90	1800	6 -18	160	205	300x60	32215 (75x130) 32212 (60x110)	350	9000	180
AX080	90	1800	6 -18	160	205	300x90				220
AX082	90	1800	8 -18	220	275	300x60				204
AX083	90	1800	8 -18	220	275	300x90				230
AX084	90	1800	8 -18	220	275	350x60				209
AX085	90	1800	8 -18	220	275	350x80				215
AX086	90	1800	8 -18	220	275	400x80				250
AX0861	90	1800	8 -20	220	275	300x90				230
AX087	90	1800	8 -20	220	275	350x60	32216 (80x140) 32213 (65x120)	350	10500	220
AX088	90	1800	8 -20	220	275	350x80				225
AX089	90	1800	8 -20	220	275	400x80				265
AX090	90	1800	10 -22	280	335	400x80				280
AX0901	90	1800	10 -22	280	335	406x120	32216 (80x140) 32213 (65x120)	350	11500	305
AX091	100	1800	8 -20	220	275	350x60	32216 (80x140) 32213 (65x120)	350	11000	249
AX092	100	1800	8 -20	220	275	350x80				255
AX093	100	1800	8 -20	220	275	400x80				278
AX094	100	1800	8 -20	220	275	406x120				300
AX095	100	1800	10 -22	280	335	400x80				275
AX096	100	1800	10 -22	280	335	406x120	32217 (85x150) 32214 (70x125)	350	12500	316
AX097	100	1800	8 -20	220	275	406x120	32217 (85x150) 32214 (70x125)	350	12500	310
AX098	110	1800	10 -22	280	335	400x80	32217 (85x150) 32214 (70x125)	350	12500	330
AX099	110	1800	10 -22	280	335	406x120	33118 (90x150) 33215 (75x130)	350	13000	372

TIPO IDRAULICO / HYDRAULIC TYPE

CODICE CODE	Q mm.	C mm.	N° COL STUDS	Ø A mm.	Ø B mm.	FRENO BRAKE	CUSCINETTI BEARINGS	R mm.	PORTATA Kg. CAPACITY Kg.	PESO Kg. WEIGHT Kg.
AXIDR061	60	1500	6 -18	160	205	300x90	30211 (55x100) 30208 (40x80)	300	4000	125
AXIDR072	70	1600	6 -18	160	205		30213 (65x120) 32210 (50x90)		6800	145
AXIDR073	70	1600	8 -18	220	275				7500	170
AXIDR082	80	1800	6 -18	160	205		32215 (75x130) 32212 (60x110)		8500	175
AXIDR083	80	1800	8 -18	220	275				9000	200
AXIDR086	80	1800	6 -18	160	205		32216 (80x140) 32213 (65x120)		10500	217
AXIDR087	80	1800	8 -18	220	275				10500	220
AXIDR092	90	1800	8 -18	220	275					
AXIDR093	90	1800	8 -20	220	275					