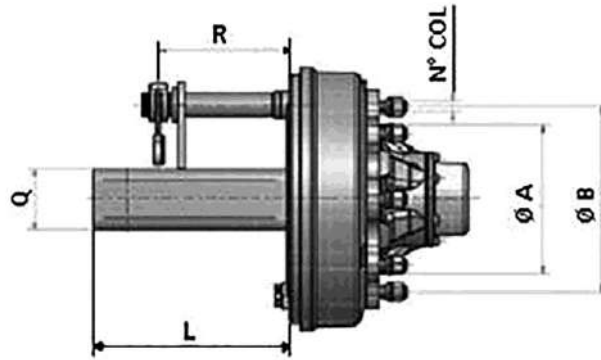


SEMIASSI CON FRENO / STUB AXLES WITH BRAKE



| CODICE CODE | Q mm. | L mm. | R mm. | N° COL STUDS N° | Ø A mm. | Ø B mm. | FRENO BRAKE | CUSCINETTI BEARINGS | PORTATA Kg. CAPACITY Kg. | PESO Kg. WEIGHT Kg. | |
|----------------|----------|----------|----------|--------------------|------------|------------|----------------|---------------------------------|-----------------------------|------------------------|------|
| SAX030 | 30 | 200 | 150 | 4-12 (Balilla) | 62 | 95 | 140x30 | 6204 (20x47) 6205 (25x52) | 350 | 5.5 | |
| SAX031 | 30 | 200 | 150 | 4 -12 (Fiat) | 58 | 98 | | | 400 | 6 | |
| SAX032 | 35 | 200 | 150 | 4-12 (Balilla) | 62 | 95 | | | 500 | 7 | |
| SAX033 | 35 | 200 | 150 | 4 -12 (Fiat) | 58 | 98 | | | | | |
| SAX034 | 40 | 200 | 150 | 4-12 (Balilla) | 62 | 95 | | | | | |
| SAX035 | 40 | 200 | 150 | 4 -12 (Fiat) | 58 | 98 | 200x40 | 30207 (35x72) | 750 | 12 | |
| SAX036 | 40 | 200 | 150 | 5 -16 | 93 | 140 | | 30205 (25x52) | 850 | 13 | |
| SAX037 | 45 | 200 | 150 | 5 -16 | 93 | 140 | 250x60 | 30209 (45x85) | 1400 | 25 | |
| SAX039 | 50 | 200 | 150 | 5 -16 | 93 | 140 | | 30206 (30x62) | | 26 | |
| SAX040 | 50 | 200 | 150 | 6 -18 | 160 | 205 | 300x60 | 30210 (50x90) 30207 (35x72) | 1600 | 29 | |
| SAX041 | 50 | 200 | 150 | 6 -18 | 160 | 205 | | | | 30211 (55x100) | 1700 |
| SAX044 | 55 | 200 | 150 | 6 -18 | 160 | 205 | 250x60 | 30208 (40x80) | 2100 | 29 | |
| SAX047 | 60 | 200 | 150 | 6 - 18 | 160 | 205 | 300x60 | | | 36 | |
| SAX048 | 60 | 200 | 150 | 6 -18 | 160 | 205 | 300x90 | | | 50 | |
| SAX050 | 60 | 200 | 150 | 6 -18 | 160 | 205 | 300x60 | 30213 (65x120) 32210 (50x90) | 3400 | 40 | |
| SAX051 | 70 | 300 | 250 | 6 -18 | 160 | 205 | 300x90 | | | 58 | |
| SAX053 | 70 | 300 | 250 | 6 -18 | 160 | 205 | 300x60 | | | 46 | |
| SAX055 | 70 | 300 | 250 | 8 -18 | 220 | 275 | 300x90 | | | 64 | |
| SAX057 | 70 | 300 | 250 | 8 -18 | 220 | 275 | 350x60 | | | 60 | |
| SAX058 | 70 | 300 | 250 | 8 -18 | 220 | 275 | 350x80 | | | 65 | |
| SAX059 | 70 | 300 | 250 | 8 -18 | 220 | 275 | 300x60 | | | 3700 | 45 |
| SAX061 | 80 | 300 | 250 | 6 -18 | 160 | 205 | 300x90 | | | | 65 |
| SAX063 | 80 | 300 | 250 | 6 - 18 | 160 | 205 | 300x60 | 51 | | | |
| SAX065 | 80 | 300 | 250 | 8 -18 | 220 | 275 | 300x90 | 69 | | | |
| SAX067 | 80 | 300 | 250 | 8 -18 | 220 | 275 | 350x60 | 65 | | | |
| SAX068 | 80 | 300 | 250 | 8 -18 | 220 | 275 | 350x80 | 70 | | | |
| SAX069 | 80 | 300 | 250 | 8 -18 | 220 | 275 | 400x80 | 83 | | | |
| SAX070 | 80 | 300 | 250 | 8 -18 | 220 | 275 | 300x60 | 4200 | 52 | | |
| SAX071 | 80 | 300 | 250 | 6 -18 | 160 | 205 | 300x90 | | 70 | | |
| SAX072 | 80 | 300 | 250 | 6 -18 | 160 | 205 | 300x60 | | 65 | | |
| SAX074 | 80 | 300 | 250 | 8 -18 | 220 | 275 | 300x90 | | 75 | | |
| SAX075 | 80 | 300 | 250 | 8 -18 | 220 | 275 | 350x60 | | 67 | | |
| SAX076 | 80 | 300 | 250 | 8 -18 | 220 | 275 | 350x80 | | 80 | | |
| SAX077 | 80 | 300 | 250 | 8 -18 | 220 | 275 | 400x80 | | 87 | | |
| SAX078 | 80 | 300 | 250 | 8 -18 | 220 | 275 | | | | | |

| CODICE CODE | Q mm. | L mm. | R mm. | N° COL STUDS N° | Ø A mm. | Ø B mm. | FRENO BRAKE | CUSCINETTI BEARINGS | PORTATA Kg. CAPACITY Kg. | PESO Kg. WEIGHT Kg. |
|----------------|----------|----------|----------|--------------------|------------|------------|----------------------------------|----------------------------------|-----------------------------|------------------------|
| SAX079 | 90 | 300 | 250 | 6 -18 | 160 | 205 | 300x60 | 32215 (75x130) 32212 (60x110) | 4500 | 69 |
| SAX080 | 90 | 300 | 250 | 6 -18 | 160 | 205 | 300x90 | | | 79 |
| SAX082 | 90 | 300 | 250 | 8 -18 | 220 | 275 | 300x60 | | | 78 |
| SAX083 | 90 | 300 | 250 | 8 -18 | 220 | 275 | 300x90 | | | 84 |
| SAX084 | 90 | 300 | 250 | 8 -18 | 220 | 275 | 350x60 | | | 80 |
| SAX085 | 90 | 300 | 250 | 8 -18 | 220 | 275 | 350x80 | | | 85 |
| SAX086 | 90 | 300 | 250 | 8 -18 | 220 | 275 | 400x80 | | | 94 |
| SAX0861 | 90 | 300 | 250 | 8 -20 | 220 | 275 | 300x90 | 32216 (80x140) 32213 (65x120) | 5200 | 85 |
| SAX087 | 90 | 300 | 250 | 8 -20 | 220 | 275 | 350x60 | | | 83 |
| SAX088 | 90 | 300 | 250 | 8 -20 | 220 | 275 | 350x80 | | | 87 |
| SAX089 | 90 | 300 | 250 | 8 -20 | 220 | 275 | 400x80 | | | 95 |
| SAX090 | 90 | 300 | 250 | 10 -22 | 280 | 335 | | | | 105 |
| SAX0901 | 90 | 300 | 250 | 10 -22 | 280 | 335 | 32217 (85x150) 32214 (70x125) | 6000 | 115 | |
| SAX091 | 100 | 300 | 250 | 8 -20 | 220 | 275 | 350x60 | 32216 (80x140) 32213 (65x120) | 5500 | 85 |
| SAX092 | 100 | 300 | 250 | 8 -20 | 220 | 275 | 350x80 | | | 90 |
| SAX093 | 100 | 300 | 250 | 8 -20 | 220 | 275 | 400x80 | | | 100 |
| SAX094 | 100 | 300 | 250 | 8 -20 | 220 | 275 | 406x120 | | | 120 |
| SAX095 | 100 | 300 | 250 | 10 -22 | 280 | 335 | 400x80 | | | 110 |
| SAX096 | 100 | 300 | 250 | 10 -22 | 280 | 335 | 406x120 | 32217 (85x150) | 6000 | 130 |
| SAX097 | 100 | 300 | 250 | 8 -20 | 220 | 275 | 406x120 | 32214 (70x125) | | 128 |
| SAX098 | 110 | 300 | 250 | 10 -22 | 280 | 335 | 400x80 | 125 | | |
| SAX099 | 110 | 300 | 250 | 10 -22 | 280 | 335 | 406x120 | 33118 (90x150) 33215 (75x130) | 6500 | 145 |