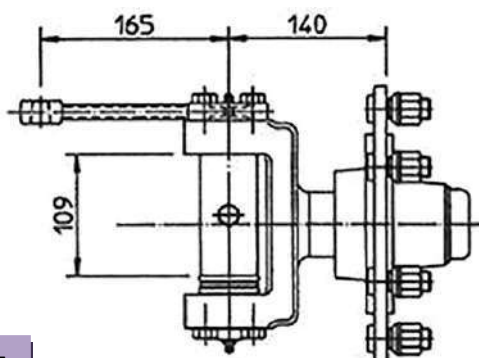


SEMIASSI SPECIALI / SPECIAL STUB AXLES

STERZANTE "T-3" / "T-3" STEERING



TIPO RIBASSATO / LOWERED TYPE

