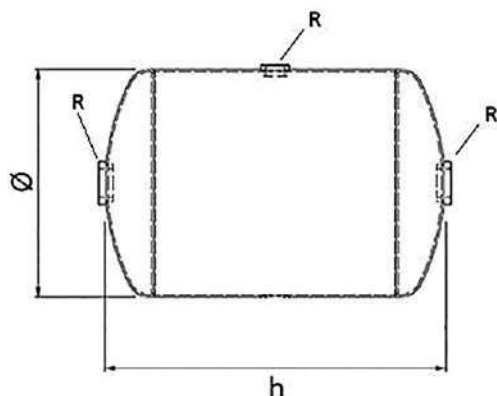


SERBATOI PER ARIA OMOLOGATI / HOMOLOGATED AIR TANKS



| CODICE CODE | CAPENZA L. CAPACITY L. | Ø mm. | h mm. | R mm. | PESO Kg. WEIGHT Kg. |
|----------------|---------------------------|----------|----------|----------|------------------------|
| 09.00932 | 20 | 300 | 360 | M22x1.5 | 8.5 |
| 09.00933 | 25 | 300 | 430 | M22x1.5 | 10 |
| 09.00934 | 28 | 300 | 480 | M22x1.5 | 10.5 |
| 09.00909 | 30 | 300 | 510 | M22x1.5 | 11 |
| 09.00910 | 33 | 300 | 550 | M22x1.5 | 12 |
| 09.00935 | 40 | 300 | 650 | M22x1.5 | 13.7 |
| 09.00936 | 45 | 360 | 530 | M22x1.5 | 14.3 |
| 09.00937 | 50 | 300 | 800 | M22x1.5 | 16.5 |
| 09.00938 | 55 | 360 | 630 | M22x1.5 | 16.4 |
| 09.00939 | 60 | 300 | 950 | M22x1.5 | 19 |
| 09.009391 | 60 | 360 | 680 | M22x1.5 | 17.5 |
| 09.00940 | 65 | 360 | 730 | M22x1.5 | 18.6 |
| 09.00941 | 75 | 360 | 830 | M22x1.5 | 20.5 |
| 09.00942 | 80 | 300 | 1240 | M22x1.5 | 24.5 |
| 09.00943 | 85 | 360 | 930 | M22x1.5 | 23.2 |
| 09.00944 | 100 | 360 | 1080 | M22x1.5 | 26.5 |