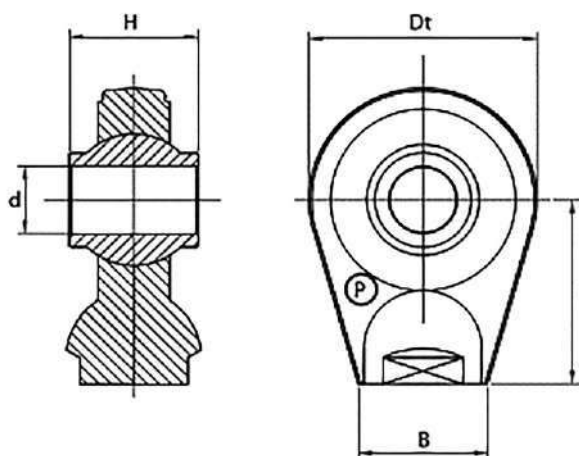


SUPPORTI A SNODO SFERICO DA SALDARE BALL JOINT SUPPORTS TO WELD



CODICE CODE	CATEGORIA CATEGORY	D mm.	H mm.	B mm.	Dt mm.	l mm.	PESO Kg. WEIGHT Kg.
08.01507	1	19	30	25	55	50	0.40
08.01508	1	19	44	25	55	50	0.40
08.01509	1	19	44	30x13	62	34	0.44
08.01510	1	19	44	34	62	60	0.60
08.01511	-	20	44	34	62	60	0.60
08.SR10712	-	22.1	44	34	62	60	0.60
08.01512	-	22.1	51	38	75	65	1
08.01513	2	25.4	51	38	75	65	0.90
08.01514	2	25.4	51	50	83	65	1.40
08.01515	2	25.4	51	50	85	70	1.60
08.01517	-	30	51	50	85	70	1.56
08.01519	-	29	55	50	83	65	1.40
08.SR10739	-	30	51	38	75	65	0.90
08.01520	-	30	55	50	83	65	1.40
08.SR10807	3	32	51	50	83	65	1.30
08.01521	-	35	55	50	83	65	1.30
08.SR10819	-	35	35	50	92	65	1.40
08.01522	-	40	75	60	108	85	3.40
08.01524	-	45	75	60	108	85	3.20
08.01526	-	50	75	60	108	85	3
08.01528	-	60(H7)	100	75	140	87	5.7