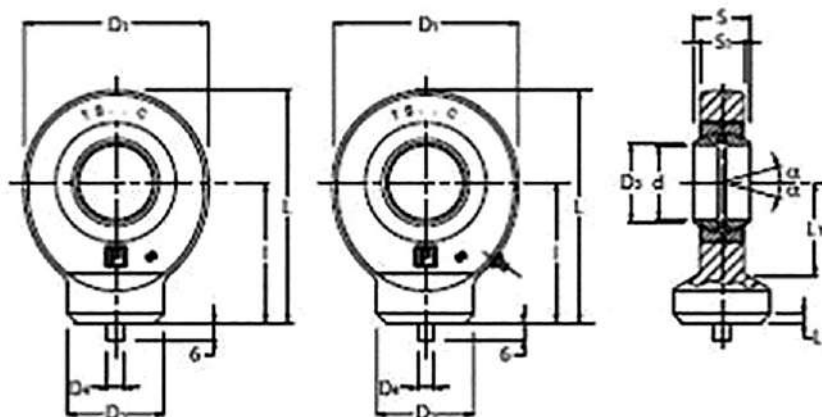


SUPPORTI A SNODO SFERICO "ISO 12240-4 SERIE E-TIPO S" "ISO 12240-4 SERIES E-S TYPE" BALL JOINT SUPPORTS

TIPO TAC-TS...C / TAC-TS...C TYPE



CODICE CODE	D mm.	S mm.	D3 mm.	I mm.	D1 mm.	D2 mm.	S1 mm.	L mm.	L1 mm.	L2 mm.	D4 mm.	α mm.	PESO WEIGHT (Kg.)
08.TAC210	10	9	13.2	24	29	15	7	38.5	15	1.5	3	12	0.04
08.TAC212	12	10	15	27	34	17.5	8	44	18	1.5	3	11	0.06
08.TAC215	15	12	18.4	31	40	21	10	51	20	2	4	8	0.12
08.TAC216	16	14	20.7	35	46	24	11	58	23	2	4	9	0.17
08.TAC217	17	14	20.7	35	46	24	11	58	23	2	4	10	0.20
08.TAC220	20	16	24.1	38	53	27.5	13	64.5	27.5	2	4	9	0.26
08.TAC225	25	20	29.3	45	64	33.5	17	77	33	3	4	7	0.45
08.TAC230	30	22	34.2	51	73	40	19	87.5	37.5	3	4	6	0.67
08.TAC235	35	25	39.7	61	82	47	21	102	43	3	4	6	1
08.TAC240	40	28	45	69	92	52	23	115	48	4	4	7	1.40
08.TAC245	45	32	50.7	77	102	58	27	128	52	4	6	7	1.90
08.TAC250	50	35	56	88	112	62	30	144	59	4	6	6	2.70
08.TAC260	60	44	66.8	100	135	70	38	167.5	72.5	4	6	6	4.60
08.TAC270	70	49	77.8	115	160	80	42	195	86	5	6	6	7
08.TAC280	80	55	89.4	141	180	95	47	231	98	5	6	6	11