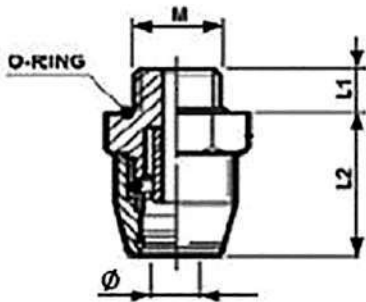


RACCORDI A INNESTO RAPIDO / RAPID PUSH-IN FITTINGS

TERMINALE DIRITTO MASCHIO / STRAIGHT MALE TERMINAL



CODICE CODE	Ø TUBO Ø PIPE (mm.)	M mm.	L1 mm.	L2 mm.	PESO Kg. WEIGHT Kg.
09.00955	20x16	22x1.5	10	32.5	0.134
09.00956	16x12	22x1.5	10	33	0.090
09.00957	12x9	22x1.5	10	29.5	0.072
09.00959	12x9	16x1.5	9	29.5	0.054
09.00960	16x12	16x1.5	9	33.5	0.080