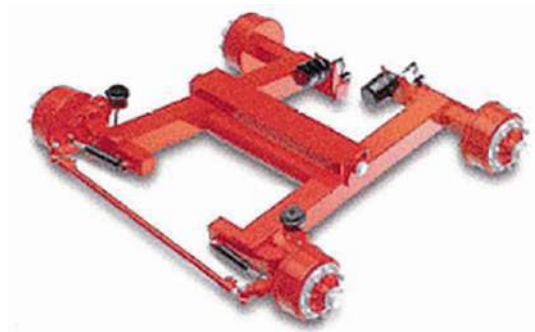
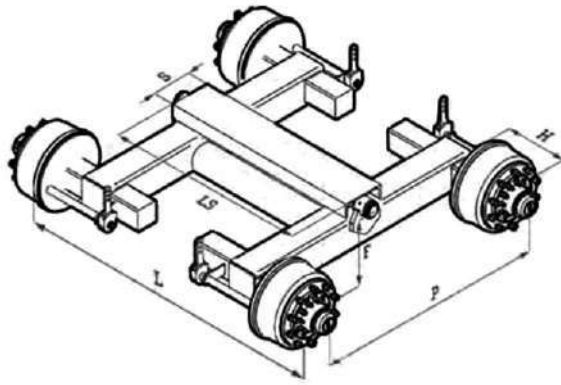


BILANCIERE / WALKING BEAM



PORTATA Kg. CAPACITY Kg.		20000	15000	8000
PASSO WHEEL BASE	P	A RICHIESTA ON DEMAND	A RICHIESTA ON DEMAND	A RICHIESTA ON DEMAND
LARGHEZZA WIDTH	L	A RICHIESTA ON DEMAND	A RICHIESTA ON DEMAND	A RICHIESTA ON DEMAND
SBALZO OVERHANG	H	IN BASE AL PNEUMATICO ACCORDING TO THE TYRE	IN BASE AL PNEUMATICO ACCORDING TO THE TYRE	IN BASE AL PNEUMATICO ACCORDING TO THE TYRE
FULCRO mm. PIVOT mm.	F	70	70	65
LUNGHEZZA SUPPORTO SUPPORT LENGHT (mm.)	S	260	240	220
SUPPORTO SUPPORT	LS	LS=L-2H	LS=L-2H	LS=L-2H
FRENO BRAKE		400x80 / 400x120	350x60 / 400x80	300x60
N° COLONNETTE STUDS N°		10 M22x1.5	10 M22x1.5 / 8 M18x1.5	6 M18x1.5