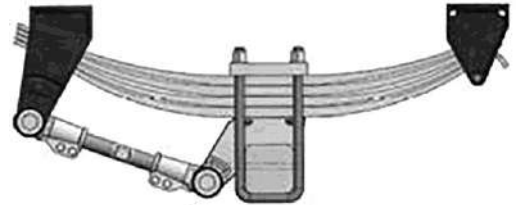
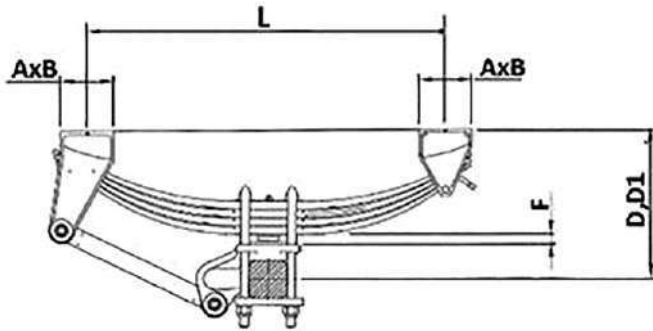


SOSPENSIONI MECCANICHE TIPO "MONOASSE" "SINGLE-AXLE" TYPE MECHANICAL SUSPENSIONS

CON TIRANTE / WITH TIE ROD



CODICE CODE	L mm.	F mm.	AXB mm.	QUADRO ASSALE AXLE SQUARE	D mm.	D1 mm.	PORTATA Kg. CAPACITY Kg.
50.SMCT080	825	30	152x152	90	350	323	8000
50.SMCT100	990			100	395	368	10000
50.SMCT120	1030			110	435	397	12000