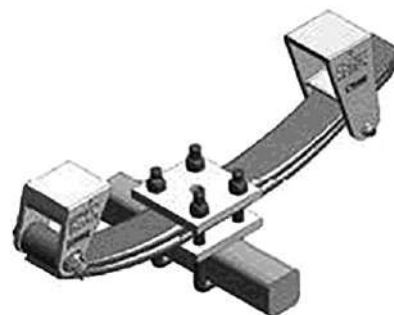
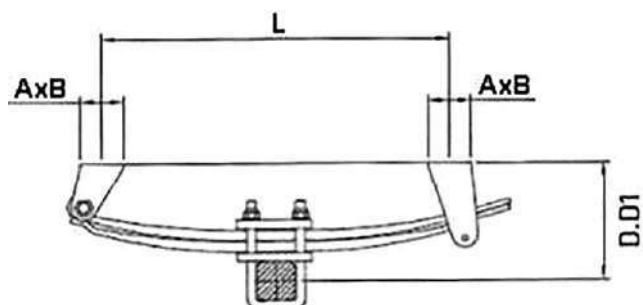


SOSPENSIONI MECCANICHE TIPO "MONOASSE" "SINGLE-AXLE" TYPE MECHANICAL SUSPENSIONS

SENZA TIRANTE / WITHOUT TIE ROD



CODICE CODE	L mm.	AxB mm.	QUADRO ASSALE AXLE SQUARE	D mm.	D1 mm.	PORTATA Kg. CAPACITY Kg.
50.SMST050	600	100x103	70	265	250	5000
50.SMST060	810		80	270	252	6000
50.SMST080	870	120x190	90	341	317	8000
50.SMST105	870		100	352	325	10500