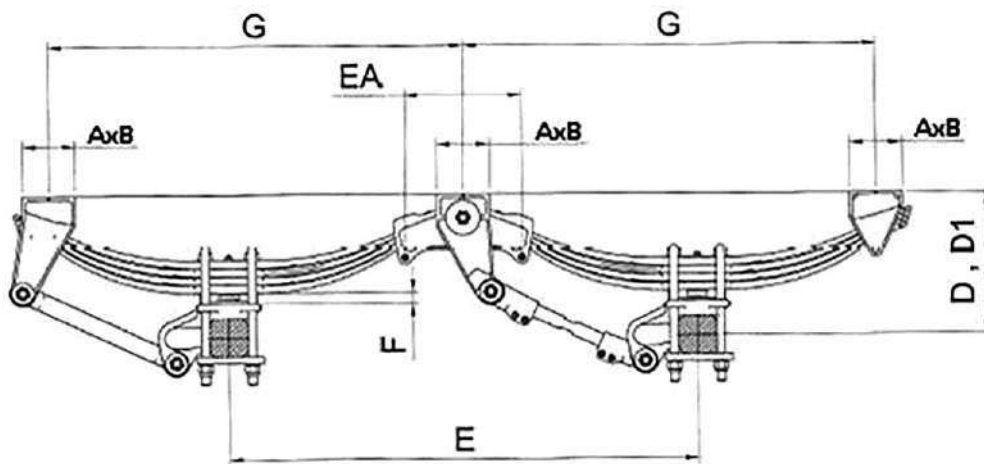


SOSPENSIONI MECCANICHE TIPO "TANDEM" "TANDEM" TYPE MECHANICAL SUSPENSIONS

CON TIRANTI / WITH TIE RODS



CODICE CODE	E mm.	G mm.	F mm.	QUADRO ASSALE AXLE SQUARE	D mm.	D1 mm.	EA mm.	PORTATA Kg. CAPACITY Kg
50.SMCTAN160	1200	1035	30	100	350	323	400	16000
50.SMCTAN200	1360	1205	30	110	410	362	336	20000
50.SMCTAN240	1525	1285	30	120	435	397	490	24000