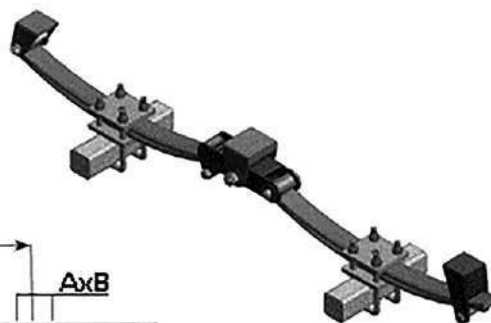
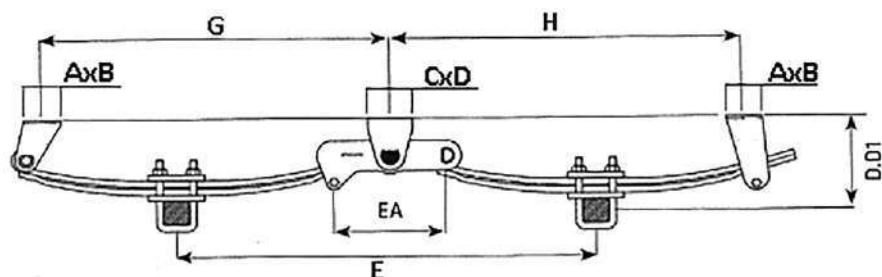


## SOSPENSIONI MECCANICHE TIPO "TANDEM" "TANDEM" TYPE MECHANICAL SUSPENSIONS

SENZA TIRANTI / WITHOUT TIE RODS



CODICE CODE	E mm.	G mm.	H mm.	AxB mm.	CxD mm.	QUADRO ASSALE AXLE SQUARE	D mm.	D1 mm.	EA mm.	PORTATA Kg. CAPACITY Kg.
50.SMSTAN100	990	797	805	100x103	120x139	80	270	255	310	10000
50.SMSTAN120	1200	1007	1015			90	285	258		12000
50.SMSTAN140	1350	1077	1085			90	288	257	470	14000
50.SMSTAN160	1350	1087	1100	120x190	250x185	100	346	322	420	16000
50.SMSTAN210	1480	1152	1165			110	357	330	550	21000