

Catalogo generale ricambi

General spare parts catalogue

Catalogue générale des pièces de rechange

Ersatzteile-katalog

Catálogo de piezas



Battioni®
Pagani

Setting the pace since 1953

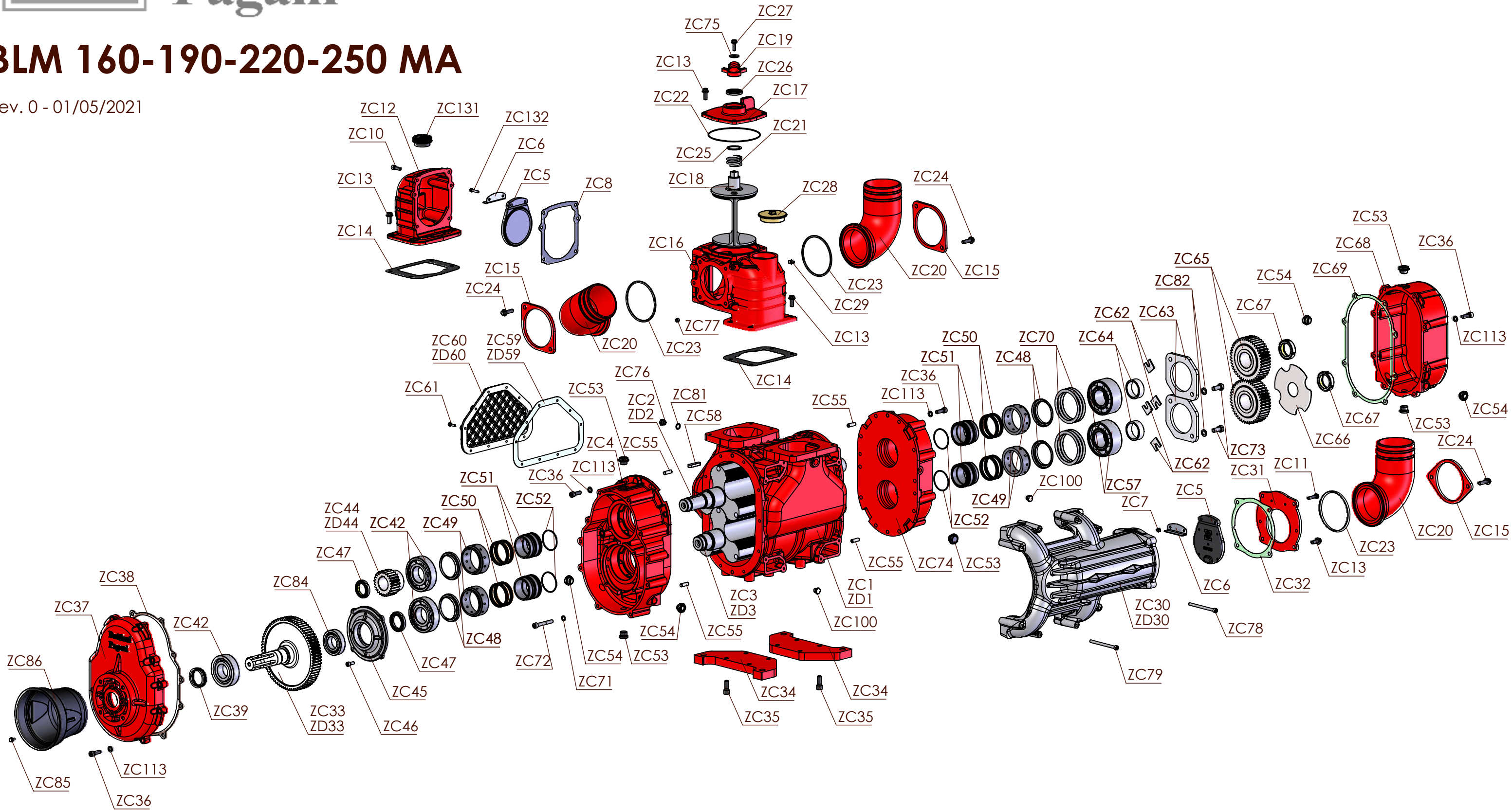
2021



Battioni® Pagani

BLM 160-190-220-250 MA

Rev. 0 - 01/05/2021

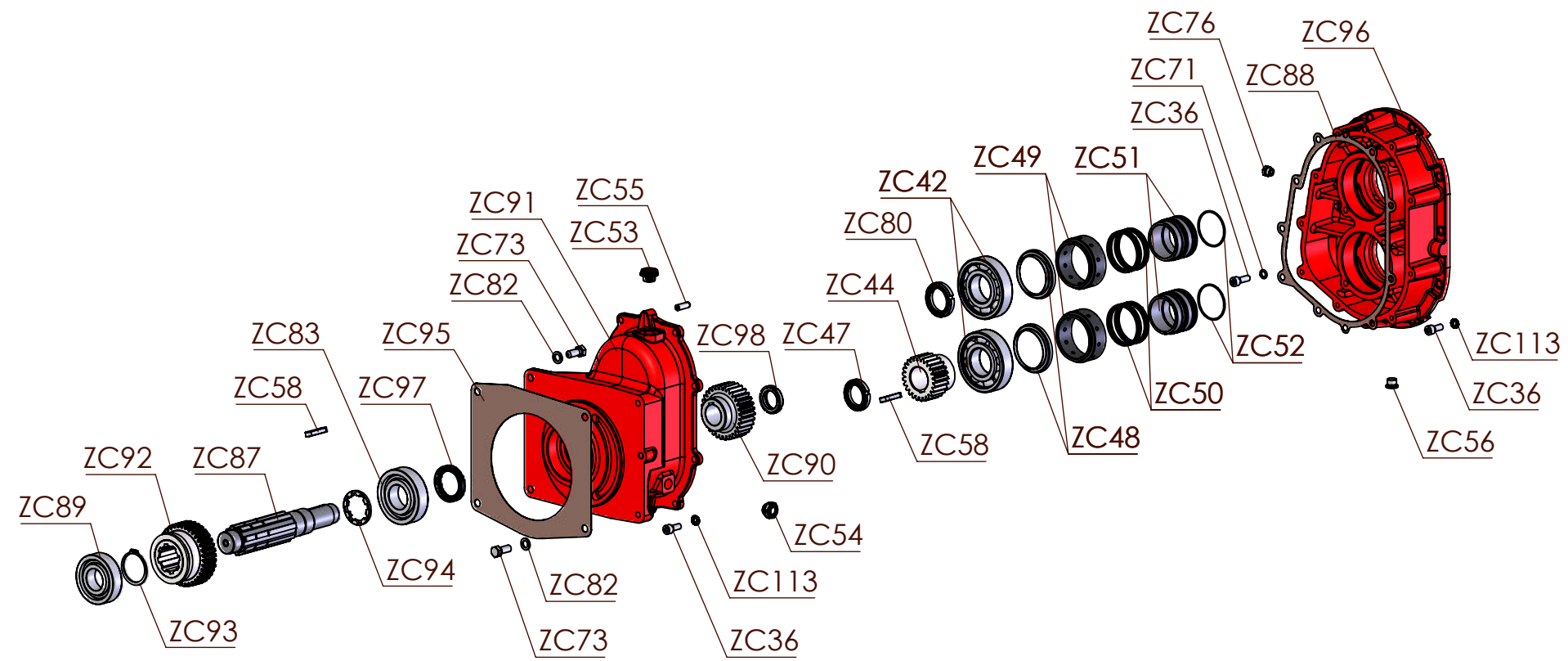




Battioni®
Pagani

BLM 190-250 GA FRONT PARTS

REV. 0 - 01/05/2021

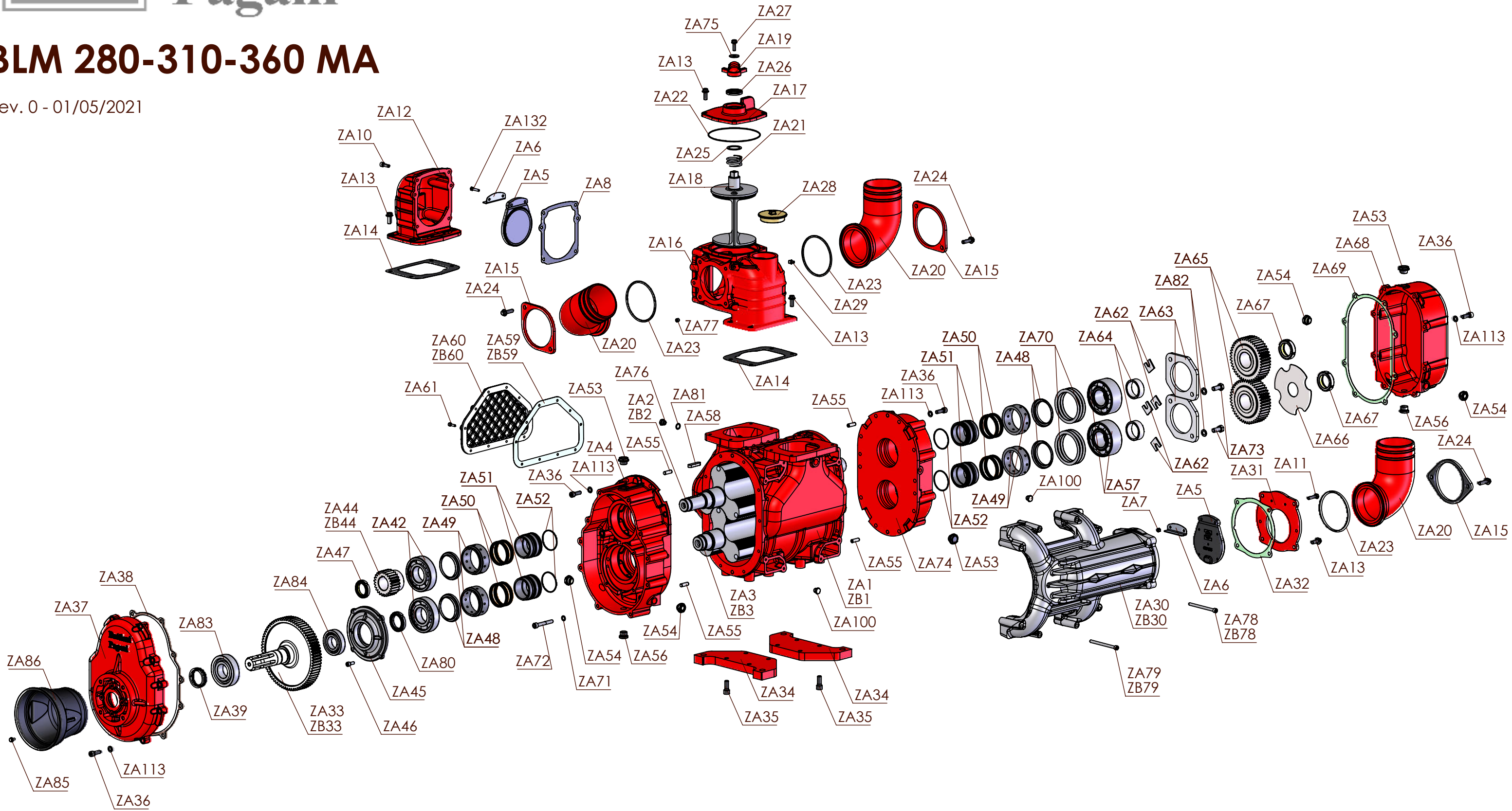




Battioni® Pagani

BLM 280-310-360 MA

Rev. 0 - 01/05/2021

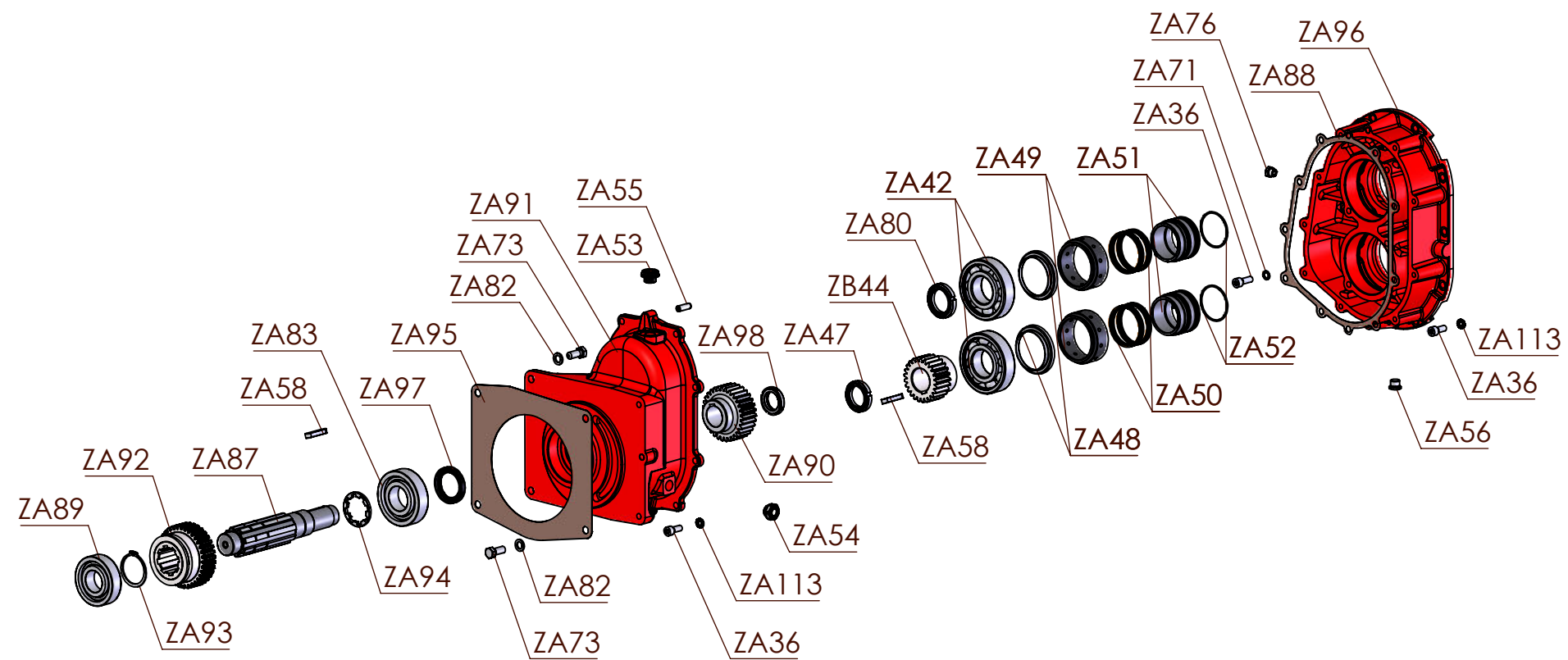




Battioni®
Pagani

BLM 280-360 GA FRONT PARTS

REV. 0 - 01/05/2021



CODE	ARTICLE	DESCRIZIONE	DESCRIPTION	Q.TY	UM
ZA1	4010101206	CORPO BLW 240-300	BODY BLW 240-300	1	n
ZB1	4010101207	CORPO BLW 310-400	BODY BLW 310-400	1	n
ZC1	4010101211	CORPO BLW 160-210	BODY BLW 160-210	1	n
ZD1	4010101210	CORPO BLW 220-270	BODY BLW 220-270	1	n
ZA2	4010220239	ROTORE PRIMARIO PM-MA-GA BLW 240-280	DRIVE ROTOR PM-MA-GA - BLW 240-280	1	n
ZB2	4010220242	ROTORE PRIMARIO PM-MA-GA BLW 310-360	DRIVE ROTOR PM-MA-GA - BLW 310-360	1	n
ZC2	4010220249	ROTORE PRIMARIO PM-MA-GA BLW 160-190	DRIVE ROTOR PM-MA-GA - BLW 160-190	1	n
ZD2	4010220246	ROTORE PRIMARIO PM-MA-GA BLW 220-250	DRIVE ROTOR PM-MA-GA - BLW 220-250	1	n
ZA3	4010220240	ROTORE SECONDARIO PM-MA-GA BLW 240-300	DRIVEN ROTOR PM-MA-GA BLW 240-300	1	n
ZB3	4010220243	ROTORE SECONDARIO PM-MA-GA BLW 310-400	DRIVEN ROTOR PM-MA-GA BLW 310-400	1	n
ZC3	4010220248	ROTORE SECONDARIO PM-MA-GA BLW 160-210	DRIVEN ROTOR PM-MA-GA BLW 160-210	1	n
ZD3	4010220245	ROTORE SECONDARIO PM-MA-GA BLW 220-270	DRIVEN ROTOR PM-MA-GA BLW 220-270	1	n
ZA4	4010301035	SCATOLA MOLT. BLW 240-360	GEARBOX - BLW 240-360	1	n
ZC4	4010301036	SCATOLA MOLT. BLW 160-250	GEARBOX - BLW 160-250	1	n
ZA5	4010006036	BATTENTE VALVOLA CLAPET BLW 240-400	FLAP VALVE SHUTTER - BLW 240-400	2	n
ZC5	4010006039	BATTENTE VALVOLA CLAPET BLM 160-250	FLAP VALVE SHUTTER - BLM 160-250	2	n
ZA6	4011707165	RISCONTRO CLAPET BLW 240-400	FLAP BACK PLATE - BLW 240-400	2	n
ZC6	4011707196	RISCONTRO CLAPET 100	FLAP BACK PLATE - 100	2	n
ZA7	5050300008	DADO AUTOBLOCCANTE M 6	SELF-LOCKING NUT - M 6	8	n
ZC7	5050300008	DADO AUTOBLOCCANTE M 6	SELF-LOCKING NUT - M 6	8	n
ZA8	4030110033	GUARN. CONDOTTO ASPIRAZIONE BLW 240-400	GASKET INLET DUCT - BLW 240-400	2	n
ZC8	4030110034	GUARN. CONDOTTO ASPIRAZIONE C115	GASKET INLET DUCT - C115	2	n
ZA10	5050107016	VITE M 8X25 TCEI	SCREW - M 8X25 TCEI	6	n
ZC10	5050107016	VITE M 8X25 TCEI	SCREW - M 8X25 TCEI	6	n
ZA11	5050107206	VITE ZINCATA M 6X35 TE	SCREW - M 6X35 TE GALVANIZED	4	n
ZC11	5050107206	VITE ZINCATA M 6X35 TE	SCREW - M 6X35 TE GALVANIZED	4	n
ZA12	4010007093	CONDOTTO ASPIRAZIONE BLW 240-400	INLET DUCT - BLW 240-400	1	n
ZC12	4010007102	CONDOTTO ASPIRAZIONE C115	INLET DUCT - C115	1	n
ZA13	5050107109	VITE M 10X25 TEF - DIN 6921 ISO 8100	SCREW - M 10X25 TEF - DIN 6921 ISO 8100	12	n
ZC13	5050107109	VITE M 10X25 TEF - DIN 6921 ISO 8100	SCREW - M 10X25 TEF - DIN 6921 ISO 8100	12	n
ZA14	4030109071	GUARN. COLLETTORE BLW 240-400	MANIFOLD GASKET - BLW 240-400	2	n
ZC14	4030109072	GUARN. COLLETTORE C115	MANIFOLD GASKET - C115	2	n
ZA15	4010406043	FLANGIA PREMICURVA COLLETTORE D 120	FLANGE FOR ELBOW - MANIFOLD D 120	3	n
ZC15	4010406015	FLANGIA PREMICURVA D 100	FLANGE FOR ELBOW - MANIFOLD D 100	3	n
ZA16	4010501040	COLLETTORE DIVISO BLW 240-400	MANIFOLD DIVIDED - BLW 240-400	1	n
ZC16	4010501044	COLLETTORE DIVISO C115	MANIFOLD DIVIDED - C115	1	n
ZA17	4010601189	COPERCHIO CILINDRO INVERT.COLLETT. D 120	REVERSING GEAR COVER - MANIFOLD D 120	1	n
ZC17	4010601186	COPERCHIO CILINDRO INVERT. BALLAST 16000	REVERSING GEAR COVER - BALLAST 16000	1	n
ZA18	4010701027	CILINDRO INVERTITORE COLLETT.BLW 240-400	REVERSING GEAR - MANIFOLD BLW 240-400	1	n
ZC18	4010701028	CILINDRO INVERTITORE COLLETT. C115	REVERSING GEAR - MANIFOLD C115	1	n
ZA19	4010801043	MANIGLIA CON ATTACCO QUADRATO	HANDLE SQUARE CONNECTION	1	n
ZC19	4010801043	MANIGLIA CON ATTACCO QUADRATO	HANDLE SQUARE CONNECTION	1	n
ZA20	4010901026	CURVA SCAR. ORIENTABILE COLLETTORE D 120	REVOLVING ELBOW - MANIFOLD D 120	3	n
ZC20	4010901020	CURVA SCAR. ORIENTABILE D 100	REVOLVING ELBOW - MANIFOLD D 100	3	n
ZA21	4012007011	MOLLA MEC 9-11-13500	SPRING - MEC 9-11-13500	1	n
ZC21	4012007011	MOLLA MEC 9-11-13500	SPRING - MEC 9-11-13500	1	n
ZA22	5030210085	ANELLO TENUTA OR 3625 158.43X2.62	SEAL RING - OR 3625 158.43X2.62	1	n
ZC22	5030210083	ANELLO TENUTA OR 3525 133,02X2.62	SEAL RING - OR 3525 133,02X2.62	1	n
ZA23	5030210086	ANELLO TENUTA OR 6473 120.02X5.34	SEAL RING - OR 6473 120.02X5.34	3	n
ZC23	5030210008	ANELLO TENUTA OR 189	SEAL RING - OR 189	3	n
ZA24	5050107054	VITE M 10X35 TE - UNI 5739	SCREW - M 10X35 TE - UNI 5739	6	n
ZC24	5050107054	VITE M 10X35 TE - UNI 5739	SCREW - M 10X35 TE - UNI 5739	6	n
ZA25	5050207031	RONDELLA PER CONO INVERT. MEC 9-11-13500	TEFLON WASHER REV.GEAR MEC 9-11-13500	1	n
ZC25	5050207031	RONDELLA PER CONO INVERT. MEC 9-11-13500	TEFLON WASHER REV.GEAR MEC 9-11-13500	1	n
ZA26	5030300015	PARAOILIO 35X50X7 TC	OIL SEAL - 35X50X7	1	n
ZC26	5030300015	PARAOILIO 35X50X7 TC	OIL SEAL - 35X50X7	1	n
ZA27	5050107108	VITE M 8X25 TEF - DIN 6921 ISO 8100	SCREW - M 8X25 TEF - DIN 6921 ISO 8100	1	n
ZC27	5050107108	VITE M 8X25 TEF - DIN 6921 ISO 8100	SCREW - M 8X25 TEF - DIN 6921 ISO 8100	1	n

CODE	ARTICLE	DESCRIZIONE	DESCRIPTION	Q.TY	UM
ZA28	5050906016	TAPPO D 2"1/2 GAS	PLUG - D 2"1/2 GAS	1	n
ZC28	5050906007	TAPPO D 2" GAS - DIN 908	PLUG - D 2" GAS - DIN 908	1	n
ZA29	5050812001	INGRASSATORE M 10X1	LUBRICATOR - M 10X1	2	n
ZC29	5050812001	INGRASSATORE M 10X1	LUBRICATOR - M 10X1	2	n
ZA30	4010501042	COLLETTORE BALLAST BLW 240-300	BALLAST MANIFOLD - BLW 240-300	1	n
ZB30	4010501043	COLLETTORE BALLAST BLW 310-400	BALLAST MANIFOLD - BLW 310-400	1	n
ZC30	4010501046	COLLETTORE BALLAST BLM 160-210	BALLAST MANIFOLD - BLM 160-210	1	n
ZD30	4010501045	COLLETTORE BALLAST BLM 220-270	BALLAST MANIFOLD - BLM 220-270	1	n
ZA31	4010006035	CONTROFLANGIA BALLAST BLW 240-400	COUNTERFLANGE BALLAST - BLW 240-400	1	n
ZC31	4010006040	CONTROFLANGIA BALLAST BLW 160-270	COUNTERFLANGE BALLAST - BLW 160-270	1	n
ZA32	4030110031	GUARN. BALLAST BLW 240-400	GASKET BALLAST - BLW 240-400	1	n
ZC32	4030110035	GUARN. BALLAST BLW 160-270	GASKET BALLAST - BLW 160-270	1	n
ZA33	4020507021	INGR. CON ALBERO MA BLW 240/310 (Z72)	GEAR WITH SHAFT MA - BLW 240-310 (Z72)	1	n
ZB33	4020507022	INGR. CON ALBERO MA BLW 280/360 (Z75)	GEAR WITH SHAFT MA - BLW 280-360 (Z75)	1	n
ZC33	4020507021	INGR. CON ALBERO MA BLW 240/310 (Z72)	GEAR WITH SHAFT MA - BLW 240-310 (Z72)	1	n
ZD33	4020507022	INGR. CON ALBERO MA BLW 280/360 (Z75)	GEAR WITH SHAFT MA - BLW 280-360 (Z75)	1	n
ZA34	4012401003	PIEDE BLW 310-360	SUPPORTING FOOT - BLW 310-360	2	n
ZC34	4012401004	PIEDE BLW 160-270	SUPPORTING FOOT - BLW 160-270	2	n
ZA35	5050107072	VITE M 12X30 TCEI	SCREW - M 12X30 TCEI	8	n
ZC35	5050107072	VITE M 12X30 TCEI	SCREW - M 12X30 TCEI	8	n
ZA36	5050107225	VITE M 10X30 TCEI	SCREW - M 10X30 TCEI	32	n
ZC36	5050107225	VITE M 10X30 TCEI	SCREW - M 10X30 TCEI	32	n
ZA37	4010606052	COPERCHIO SCATOLA MOLT. BLM 280-360	GEABOX COVER - BLM 280-360	1	n
ZC37	4010606061	COPERCHIO SCATOLA MOLT. BLM 160-250	GEABOX COVER - BLM 160-250	1	n
ZA38	4030108084	GUARN. COPERCHIO BLW 240-360 MA-PM	GASKET GEARBOX COVER - BLW 240-360 MA-PM	1	n
ZC38	4030108090	GUARN. COPERCHIO BLM 160-250 MA	GASKET GEARBOX COVER - BLM 160-250 MA	1	n
ZA39	5030300059	PARAOILIO 45X62X7 - FKM	OIL SEAL - 45X62X7 - FKM	1	n
ZC39	5030300059	PARAOILIO 45X62X7 - FKM	OIL SEAL - 45X62X7 - FKM	1	n
ZA42	5012107062	CUSCINETTO A SFERE 6310 C3 - SKF	BALL BEARING 6310 C3 - SKF	2	n
ZC42	5012107052	CUSCINETTO A SFERE 6309 - SKF	BALL BEARING 6309 - SKF	3	n
ZA44	4020607067	PIGNONE MA-PM BLW (Z25)	PINION MA-PM BLW (Z25)	1	n
ZB44	4020607068	PIGNONE MA-PM BLW (Z28)	PINION MA-PM BLW (Z28)	1	n
ZC44	4020607067	PIGNONE MA-PM BLW (Z25)	PINION MA-PM BLW (Z25)	1	n
ZD44	4020607068	PIGNONE MA-PM BLW (Z28)	PINION MA-PM BLW (Z28)	1	n
ZA45	4020107045	PORTACUSCINETTO BLW 160-360 MA-PM	BEARNIG HOLDER - BLW 160-360 MA-PM	1	n
ZC45	4020107045	PORTACUSCINETTO BLW 160-360 MA-PM	BEARNIG HOLDER - BLW 160-360 MA-PM	1	n
ZA46	5050107177	VITE ZINCATA M 8X20 TCEI	GALVANIZED SCREW - M 8X20 TCEI	4	n
ZC46	5050107177	VITE ZINCATA M 8X20 TCEI	GALVANIZED SCREW - M 8X20 TCEI	4	n
ZA47	5050300021	GHIERA AUTOBLOCCANTE M 40X1.5 GUK HV140	RING NUT M 40X1.5 GUK HV140	2	n
ZC47	5050300021	GHIERA AUTOBLOCCANTE M 40X1.5 GUK HV140	RING NUT M 40X1.5 GUK HV140	2	n
ZA48	4030206002	DISCO PARAOILIO BLW 240-400	OIL SEAL DISC - BLW 240-400	4	n
ZC48	4030206003	DISCO PARAOILIO BLW 190-250	OIL SEAL DISC - BLW 190-250	4	n
ZA49	4011707162	CAMERA DI TENUTA BLW 240-400	SEALING CHAMBER - BLW 240-400	4	n
ZC49	4011707198	CAMERA DI TENUTA BLW 190-250	SEALING CHAMBER - BLW 190-250	4	n
ZA50	4012301002	SEGMENTO BLW 240-400	PISTON RING - BLW 240-400	16	n
ZC50	4012301003	SEGMENTO BLW 190-250	PISTON RING - BLW 190-250	16	n
ZA51	4011707161	DISTANZIALE DI TENUTA BLW 240-400	SEALING SPACER - BLW 240-400	4	n
ZC51	4011707197	DISTANZIALE DI TENUTA BLW 190-250	SEALING SPACER - BLW 190-250	4	n
ZA52	5030210106	ANELLO TENUTA OR 3237 Ø 60X2.62 FKM	SEAL RING - OR 3237 Ø 60X2.62 FKM	4	n
ZC52	5030210107	ANELLO TENUTA OR 3200 Ø 50X2.62 FKM	SEAL RING - OR 3200 Ø 50X2.62 FKM	4	n
ZA53	4450002025	TAPPO TCE 3 1/2" GAS	PLUG - TCE 3 1/2" GAS	5	n
ZC53	4450002025	TAPPO TCE 3 1/2" GAS	PLUG - TCE 3 1/2" GAS	5	n
ZA54	5060605017	TAPPO LIVELLO OLIO D 1/2" GAS GLASS	LEVEL OIL PLUG - D 1/2" GAS GLASS	4	n
ZC54	5060605017	TAPPO LIVELLO OLIO D 1/2" GAS GLASS	LEVEL OIL PLUG - D 1/2" GAS GLASS	4	n
ZA55	5051107015	SPINA CILINDRICA D 10X32 FORO M6	CYLINDRICAL PIN - D 10X32 - HOLE M6	6	n
ZC55	5051107015	SPINA CILINDRICA D 10X32 FORO M6	CYLINDRICAL PIN - D 10X32 - HOLE M6	6	n
ZA56	5050906009	TAPPO D 1/2" GAS - DIN 908	PLUG - D 1/2" GAS - DIN 908	2	n
ZC56	5050906009	TAPPO D 1/2" GAS - DIN 908	PLUG - D 1/2" GAS - DIN 908	2	n

CODE	ARTICLE	DESCRIZIONE	DESCRIPTION	Q.TY	UM
ZA57	4450002005	CUSCINETTO A SFERE CONT.OBL. 3310 -CL.C3	BALL BEARING 3310-CL.C3	2	n
ZC57	5012107068	CUSCINETTO A SFERE CONT.OBL. 3309 -CL.C3	BALL BEARING 3309-CL.C3	2	n
ZA58	5050707028	CHIAVETTA 12X8X50	KEY - 12X8X50	1	n
ZC58	5050707028	CHIAVETTA 12X8X50	KEY - 12X8X50	1	n
ZA59	4030108086	GUARN. COPERCHIO ISPEZIONE BLW 240-300	INSPECTION COVER GASKET - BLW 240-300	1	n
ZB59	4030108082	GUARN. COPERCHIO ISPEZIONE BLW 310-400	INSPECTION COVER GASKET - BLW 310-400	1	n
ZC59	4030108094	GUARN. COPERCHIO ISPEZIONE BLW 160-210	INSPECTION COVER GASKET - BLW 160-210	1	n
ZD59	4030108089	GUARN. COPERCHIO ISPEZIONE BLW 220-270	INSPECTION COVER GASKET - BLW 220-270	1	n
ZA60	4010606056	COPERCHIO ISPEZIONE BLW 240-300	INSPECTION COVER - BLW 310-400	1	n
ZB60	4010606050	COPERCHIO ISPEZIONE BLW 310-400	INSPECTION COVER - BLW 310-400	1	n
ZC60	4010606065	COPERCHIO ISPEZIONE BLW 160-210	INSPECTION COVER - BLW 160-210	1	n
ZD60	4010606059	COPERCHIO ISPEZIONE BLW 220-270	INSPECTION COVER - BLW 220-270	1	n
ZA61	5050107184	VITE ZINCATA M 6X20 TCEI	GALVANIZED SCREW - M 6X20 TCEI	10	n
ZC61	5050107184	VITE ZINCATA M 6X20 TCEI	GALVANIZED SCREW - M 6X20 TCEI	10	n
ZA62	4011707172	PIASTRINA DI REGOLAZIONE BLW-SPESS.3,85	ADJUSTING PLATE THICKNESS 3.85 - BLW	4	n
ZC62	4011707155	PIASTRINA DI REGOLAZIONE BLW-SPESS.3,50	ADJUSTING PLATE THICKNESS 3.50 - BLW	4	n
ZA63	4010606051	COPERCHIO CUSCINETTO BLW 240-400	BEARING COVER - BLW 240-400	2	n
ZC63	4010606060	COPERCHIO CUSCINETTO BLW 160-270	BEARING COVER - BLW 160-270	2	n
ZA64	4011707163	DISTANZIALE CUSCINETTO BLW 240-400	BEARING SPACER - BLW 240-400	2	n
ZC64	4011707199	DISTANZIALE CUSCINETTO BLW 160-270	BEARING SPACER - BLW 160-270	2	n
ZA65	4020807042	RUOTA DENTATA Z45 BLW 240-400	GEAR Z45 - BLW 240-400	2	n
ZC65	4020807046	RUOTA DENTATA Z40 BLW 160-270	GEAR Z40 - BLW 160-270	2	n
ZA66	4020107044	DISCO LUBRIFICAZIONE POST. BLW 240-400	REAR OIL SLINGER - BLW 240-400	1	n
ZC66	4020107048	DISCO LUBRIFICAZIONE POST. BLW 160-270	REAR OIL SLINGER - BLW 160-270	1	n
ZA67	5050300019	GHIERA AUTOBLOCCANTE M 45X1.5 GUP HV140	RING NUT M 45X1.5 GUP HV140	2	n
ZC67	5050300022	GHIERA AUTOBLOCCANTE M 40X1.5 GUP HV140	RING NUT M 40X1.5 GUP HV140	2	n
ZA68	4010601207	CARTER POSTERIORE BLW 240-400	REAR COVER - BLW 240-400	1	n
ZC68	4010601213	CARTER POSTERIORE BLW 160-270	REAR COVER - BLW 160-270	1	n
ZA69	4030108081	GUARN. CARTER BLW 240-400	BACK AND FRONT COVER GASKET -BLW 240-400	1	n
ZC69	4030108088	GUARN. CARTER BLW 160-270	BACK AND FRONT COVER GASKET -BLW 160-270	1	n
ZA70	5012207008	ANELLO DI COMPENSAZIONE Ø 110 - LMKAS	COMPRESSION & THRUST RING Ø 110 - LMKAS	6	n
ZC70	5012207003	ANELLO DI COMPENSAZIONE Ø 100 - LMKAS	COMPRESSION & THRUST RING Ø 100 - LMKAS	4	n
ZA71	5050202010	RONDELLA D 10X16X1,5 RAME	COPPER WASHER - D 10X16X1,5	2	n
ZC71	5050202010	RONDELLA D 10X16X1,5 RAME	COPPER WASHER - D 10X16X1,5	2	n
ZA72	5050107227	VITE M 10X70 TCEI	SCREW - M 10X70 TCEI	6	n
ZC72	5050107227	VITE M 10X70 TCEI	SCREW - M 10X70 TCEI	6	n
ZA73	5050107027	VITE M 12X30 TE - UNI5739	SCREW - M 12X30 TE	4	n
ZC73	5050107027	VITE M 12X30 TE - UNI5739	SCREW - M 12X30 TE	4	n
ZA74	4010401091	FIANCO POSTERIORE BLW 240-400	REAR SUPPORT - BLW 240-400	1	n
ZC74	4010401094	FIANCO POSTERIORE BLW 160-270	REAR SUPPORT - BLW 160-270	1	n
ZA75	5050207022	RONDELLA D 8X23X4 - DIN 6340	WASHER - 8X23X4 - DIN 6340	1	n
ZC75	5050207022	RONDELLA D 8X23X4 - DIN 6340	WASHER - 8X23X4 - DIN 6340	1	n
ZA76	5050906001	TAPPO D 1/4" GAS	PLUG - D 1/4" GAS	1	n
ZC76	5050906001	TAPPO D 1/4" GAS	PLUG - D 1/4" GAS	1	n
ZA77	5050903003	TAPPO D 1/8" GAS	PLUG - D 1/8" GAS	2	n
ZC77	5050903003	TAPPO D 1/8" GAS	PLUG - D 1/8" GAS	2	n
ZA78	5050107236	VITE ZINCATA M 8X130 TCEI UNI 5931 8.8	GALVANIZED SCREW - M 8X130 TCEI	4	n
ZB78	5050107232	VITE ZINCATA M 8X120 TCEI UNI 5931 8.8	GALVANIZED SCREW - M 8X120 TCEI	2	n
ZC78	5050107236	VITE ZINCATA M 8X130 TCEI UNI 5931 8.8	GALVANIZED SCREW - M 8X130 TCEI	4	n
ZA79	5050107237	VITE ZINCATA M 8X80 TCEI	GALVANIZED SCREW - M 8X80 TCEI	4	n
ZB79	5050107234	VITE ZINCATA M 8X100 TCEI	GALVANIZED SCREW - M 8X100 TCEI	6	n
ZC79	5050107234	VITE ZINCATA M 8X100 TCEI	GALVANIZED SCREW - M 8X100 TCEI	6	n
ZA80	5050300020	GHIERA AUTOBLOCCANTE M 45X1.5 GUK HV140	RING NUT M 45X1.5 GUK HV140	1	n
ZA81	5050202003	RONDELLA D 1/4" GAS ALLUMINIO	ALUMINIUM WASHER - D 1/4" GAS	1	n
ZC81	5050202003	RONDELLA D 1/4" GAS ALLUMINIO	ALUMINIUM WASHER - D 1/4" GAS	1	n
ZA82	5050207005	RONDELLA D 12 - UNI6592	SMOOTH WASHER - D 12	4	n
ZC82	5050207005	RONDELLA D 12 - UNI6592	SMOOTH WASHER - D 12	4	n
ZA83	5012107052	CUSCINETTO A SFERE 6309 - SKF	BALL BEARING 6309 - SKF	1	n

CODE	ARTICLE	DESCRIZIONE	DESCRIPTION	Q.TY	UM
ZC83	5012107012	CUSCINETTO A SFERE 6309	BALL BEARING 6309	1	n
ZA84	5012107053	CUSCINETTO A SFERE 6208 - SKF	BALL BEARING 6208 - SKF	1	n
ZC84	5012107053	CUSCINETTO A SFERE 6208 - SKF	BALL BEARING 6208 - SKF	1	n
ZA85	5050107197	VITE ZINCATA M 6x10 TEF - DIN 6921	GALVANIZED SCREW - M 6X10 TEF DIN 6921	4	n
ZC85	5050107197	VITE ZINCATA M 6x10 TEF - DIN 6921	GALVANIZED SCREW - M 6X10 TEF DIN 6921	4	n
ZA86	4060505018	PROTEZIONE ALBERO GARDA-LEDRA CE	SHAFT GUARD - GARDA-LEDRA CE	1	n
ZC86	4060505018	PROTEZIONE ALBERO GARDA-LEDRA CE	SHAFT GUARD - GARDA-LEDRA CE	1	n
ZA87	4020907088	ALBERO TRASMISSIONE BLM - GA	TRASMISSION SHAFT - BLM - GA	1	n
ZC87	4020907088	ALBERO TRASMISSIONE BLM - GA	TRASMISSION SHAFT - BLM - GA	1	n
ZA88	4030108085	GUARN. COPERCHIO GA BLW 310-360	GA COVER GASKET - BLW 310-360	1	n
ZC88	4030108091	GUARN. COPERCHIO GA BLM 160-250	GA COVER GASKET - BLW 160-250	1	n
ZA89	5012107050	CUSCINETTO A SFERE 6308 - SKF	BALL BEARING 6308 - SKF	1	n
ZC89	5012107011	CUSCINETTO A SFERE 6308	BALL BEARING 6308	1	n
ZA90	4020607069	PIGNONE GA Z31 BLM 190-250-280-360	PINION BLM 190-250-280-360/GA Z31	1	n
ZC90	4020607069	PIGNONE GA Z31 BLM 190-250-280-360	PINION BLM 190-250-280-360/GA Z31	1	n
ZA91	4011001162	SUPPORTO UNIONE BLM 280-360	SUPPORT UNION - BLM 280-360	1	n
ZC91	4011001196	SUPPORTO UNIONE BLM 190-250	SUPPORT UNION - BLM 190-250	1	n
ZA92	4020607047	PIGNONE CENTRIFUGA GARDA-EVO BLM-P2300	CENTRIFUGAL PINION -GARDA EVO BLM P2300	1	n
ZC92	4020607047	PIGNONE CENTRIFUGA GARDA-EVO BLM-P2300	CENTRIFUGAL PINION -GARDA EVO BLM P2300	1	n
ZA93	5050507029	ANELLO SEEGER D 55 E - DIN 471	CIRCLIP - D 55 E - DIN 471	1	n
ZC93	5050507029	ANELLO SEEGER D 55 E - DIN 471	CIRCLIP - D 55 E - DIN 471	1	n
ZA94	4011707119	DISTANZIALE SCANAL POST GARDA EVO/BLM 1L	REAR SPACER GARDA EVO/BLM 1 LEVER	1	n
ZC94	4011707119	DISTANZIALE SCANAL POST GARDA EVO/BLM 1L	REAR SPACER GARDA EVO/BLM 1 LEVER	1	n
ZA95	4030108065	GUARN. SUPP CUSCIN ANT GK/JET GARDA EVO	GASKET FRONT BEAR.HOLD GK/JET- GARDA EVO	1	n
ZC95	4030108065	GUARN. SUPP CUSCIN ANT GK/JET GARDA EVO	GASKET FRONT BEAR.HOLD GK/JET- GARDA EVO	1	n
ZA96	4010401093	FLANGIA ANTERIORE BLM 280-360 GA	FRONT FLANGE - BLM 280-360 GA	1	n
ZC96	4010401095	FLANGIA ANTERIORE BLM 190-250 GA	FRONT FLANGE - BLM 190-250 GA	1	n
ZA97	5030300022	PARAOLIO 45X65X10	OIL SEAL - 45X65X10	1	n
ZC97	5030300022	PARAOLIO 45X65X10	OIL SEAL - 45X65X10	1	n
ZA98	5050300023	GHIERA AUTOBLOCCANTE M 35X1.5 GUK HV140	RING NUT M 35X1.5 GUK	1	n
ZC98	5050300023	GHIERA AUTOBLOCCANTE M 35X1.5 GUK HV140	RING NUT M 35X1.5 GUK	1	n
ZA100	4450002038	TAPPO TCF 1G 1/4" GAS	PLUG- TCF 1G 1/4" GAS	2	n
ZC100	4450002038	TAPPO TCF 1G 1/4" GAS	PLUG- TCF 1G 1/4" GAS	2	n
ZA113	5050207049	ROSETTA ELASTICA ZIGRINATA SCHNORR M10	SCHNORR WASHER - M10	32	n
ZC113	5050207049	ROSETTA ELASTICA ZIGRINATA SCHNORR M10	SCHNORR WASHER - M10	32	n
ZC131	5060605005	TAPPO NERO 1" 1/2 GAS	PLUG - 1" 1/2 GAS	1	n
ZC131	5060605005	TAPPO NERO 1" 1/2 GAS	PLUG - 1" 1/2 GAS	1	n
ZA132	5050107239	VITE M 6X30 TE - INOX	SCREW - M 6X30 TE - INOX	2	n
ZC132	5050107239	VITE M 6X30 TE - INOX	SCREW - M 6X30 TE - INOX	2	n



Battioni®
Pagani

Setting the pace since 1953

0	01.05.2021	1° EMISSIONE	PROG	R DT	AM
REV.	DATA	MOTIVO	PREPARATO	APPROVATO	AUTORIZZATO



Battioni®
Pagani

Setting the pace since 1953

Via Cav. Enzo Ferrari, 2
43058 Ramoscello di Sorbolo (PR) - Italy

Ph. +39 0521 663203

Fax +39 0521 663206



www.bapag.it
info@bapag.it