

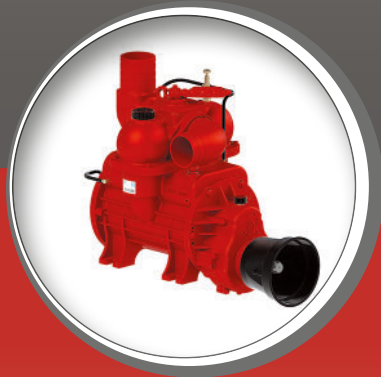
Catalogo generale ricambi

General spare parts catalogue

Catalogue générale des pièces de rechange

Ersatzteile-katalog

Catálogo de piezas



Battioni®
Pagani

Setting the pace since 1953

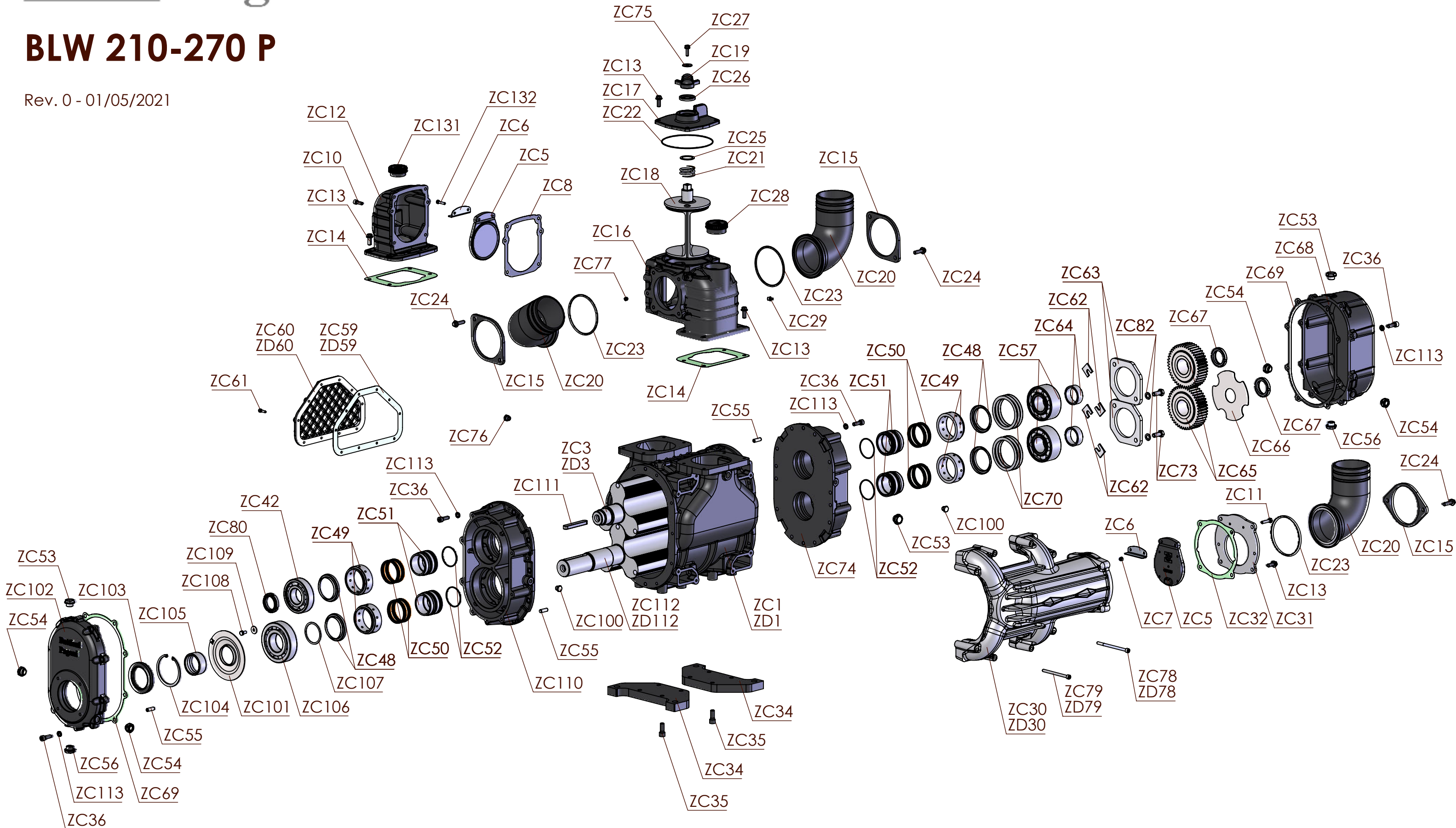
2021



Battioni®
Pagani

BLW 210-270 P

Rev. 0 - 01/05/2021

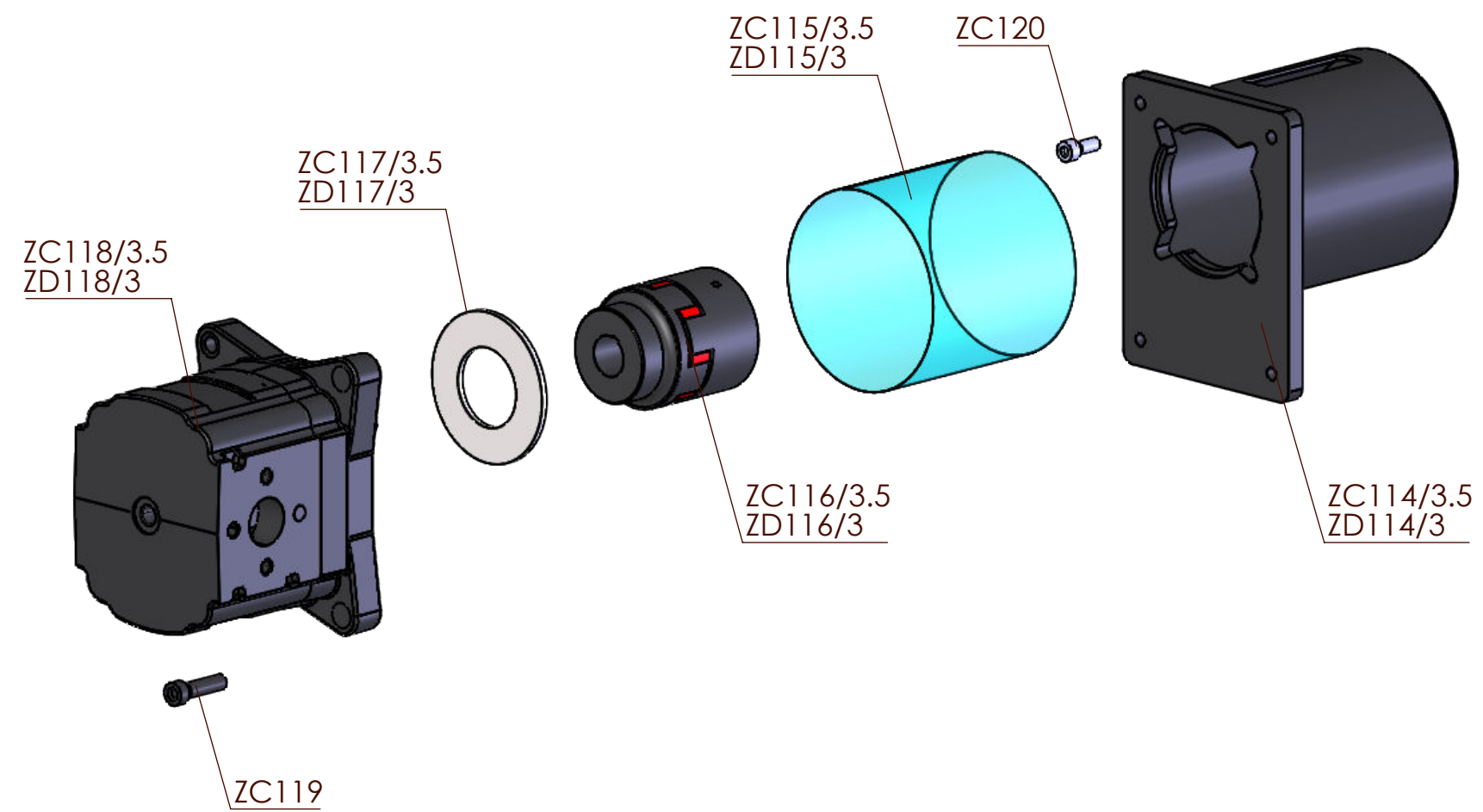




Battioni®
Pagani

BLW 210-270 H FRONT PARTS

Rev. 0 - 01/05/2021

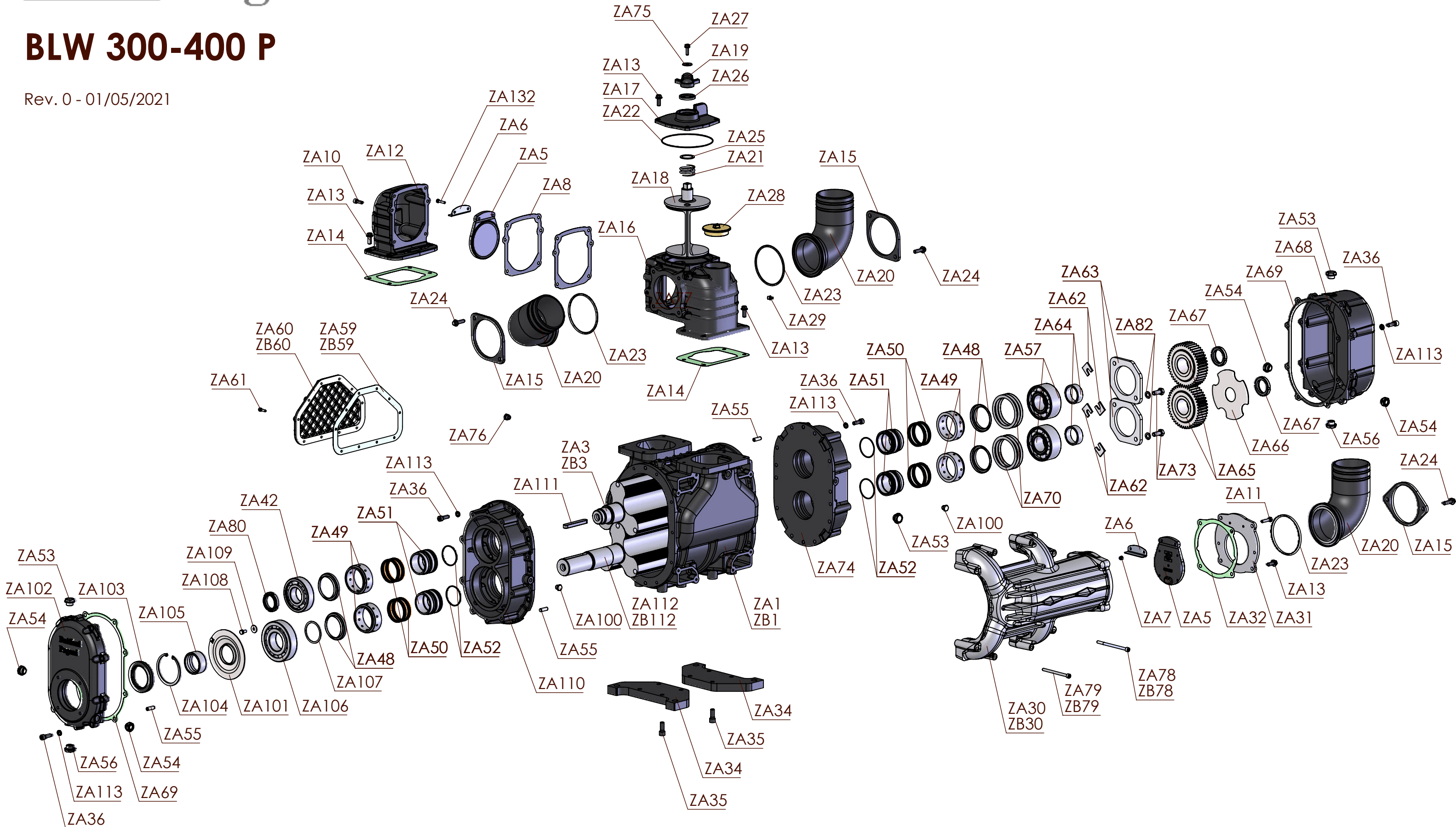




Battioni®
Pagani

BLW 300-400 P

Rev. 0 - 01/05/2021

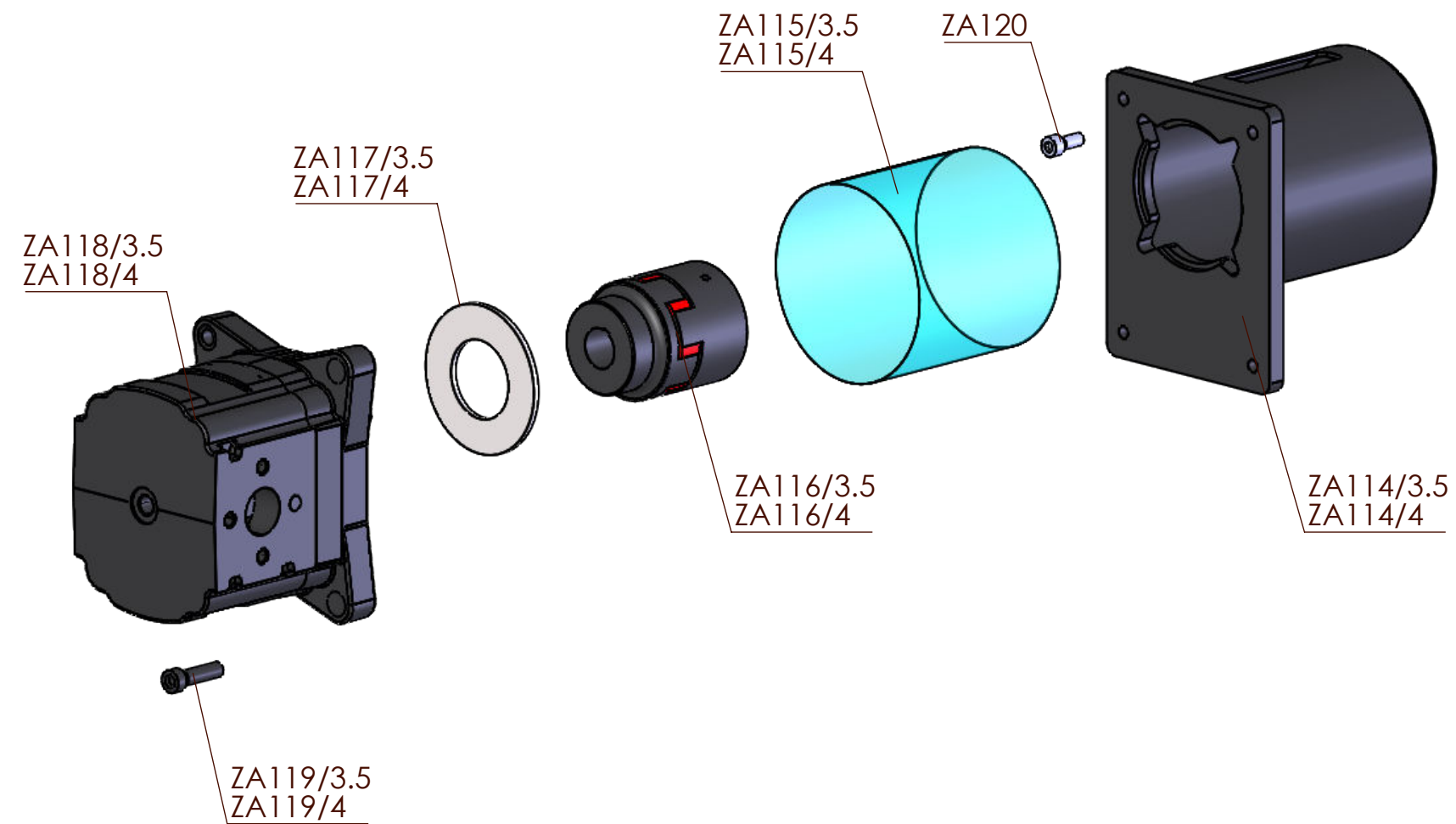




Battioni®
Pagani

BLW 300-400 H FRONT PARTS

Rev. 0 - 01/05/2021

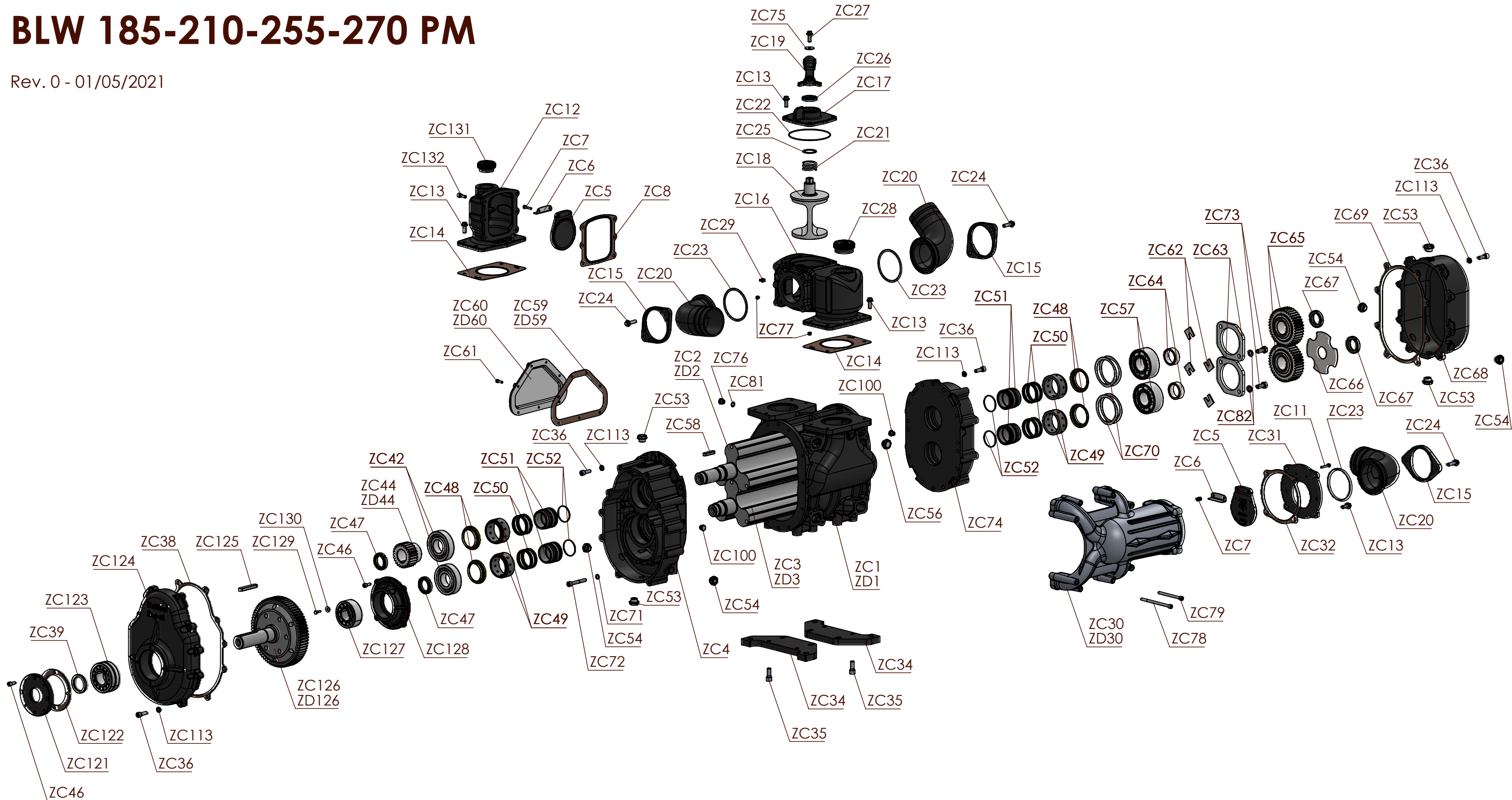




Battioni® Pagani

BLW 185-210-255-270 PM

Rev. 0 - 01/05/2021

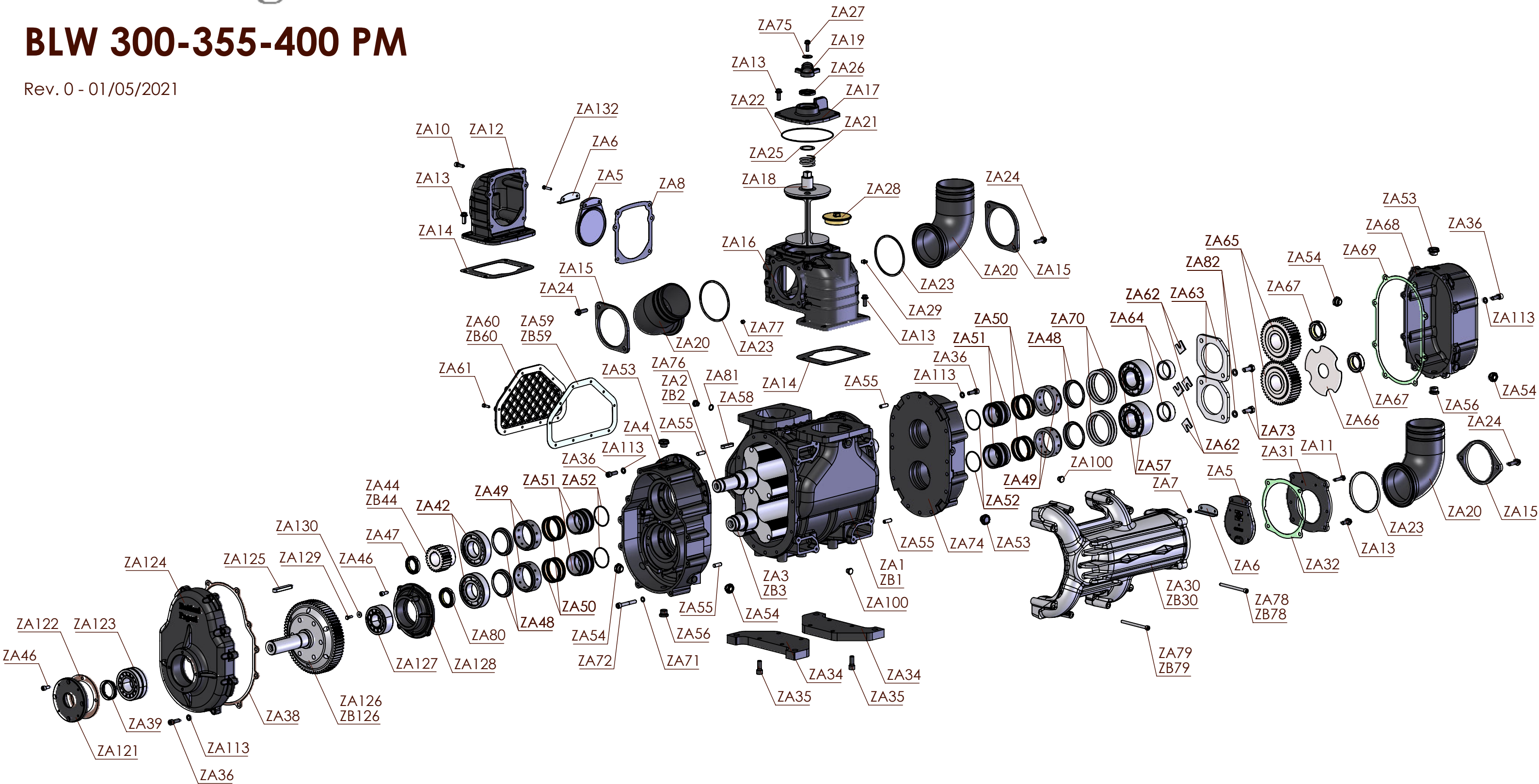




Battioni[®] Pagani

BLW 300-355-400 PM

Rev. 0 - 01/05/2021



CODE	ARTICLE	DESCRIZIONE	DESCRIPTION	Q.TY	UM
ZA1	4010101206	CORPO BLW 240-300	BODY BLW 240-300	1	n
ZB1	4010101207	CORPO BLW 310-400	BODY BLW 310-400	1	n
ZC1	4010101211	CORPO BLW 160-210	BODY BLW 160-210	1	n
ZD1	4010101210	CORPO BLW 220-270	BODY BLW 220-270	1	n
ZA2	4010220239	ROTORE PRIMARIO PM-MA-GA BLW 240-280	DRIVE ROTOR PM-MA-GA - BLW 240-280	1	n
ZB2	4010220242	ROTORE PRIMARIO PM-MA-GA BLW 310-360	DRIVE ROTOR PM-MA-GA - BLW 310-360	1	n
ZC2	4010220249	ROTORE PRIMARIO PM-MA-GA BLW 160-190	DRIVE ROTOR PM-MA-GA - BLW 160-190	1	n
ZD2	4010220246	ROTORE PRIMARIO PM-MA-GA BLW 220-250	DRIVE ROTOR PM-MA-GA - BLW 220-250	1	n
ZA3	4010220240	ROTORE SECONDARIO PM-MA-GA BLW 240-300	DRIVE ROTOR - PM-MA-GA BLW 240-300	1	n
ZB3	4010220243	ROTORE SECONDARIO PM-MA-GA BLW 310-400	DRIVE ROTOR - PM-MA-GA BLW 310-400	1	n
ZC3	4010220248	ROTORE SECONDARIO PM-MA-GA BLW 160-210	DRIVE ROTOR - PM-MA-GA BLW 160-210	1	n
ZD3	4010220245	ROTORE SECONDARIO PM-MA-GA BLW 220-270	DRIVE ROTOR - PM-MA-GA BLW 220-270	1	n
ZA4	4010301035	SCATOLA MOLT. BLW 240-360	GEARBOX - BLW 240-360	1	n
ZC4	4010301036	SCATOLA MOLT. BLW 160-250	GEARBOX - BLW 160-250	1	n
ZA5	4010006036	BATTENTE VALVOLA CLAPET BLW 240-400	FLAP VALVE SHUTTER - BLW 240-400	2	n
ZC5	4010006039	BATTENTE VALVOLA CLAPET BLM 160-250	FLAP VALVE SHUTTER - BLM 160-250	2	n
ZA6	4011707165	RISCONTRO CLAPET BLW 240-400	FLAP BACK PLATE - BLW 240-400	2	n
ZC6	4011707196	RISCONTRO CLAPET 100	FLAP BACK PLATE - 100	2	n
ZA7	5050300008	DADO AUTOBLOCCANTE M 6	SELF-LOCKING NUT - M 6	8	n
ZC7	5050300008	DADO AUTOBLOCCANTE M 6	SELF-LOCKING NUT - M 6	8	n
ZA8	4030110033	GUARN. CONDOTTO ASPIRAZIONE BLW 240-400	GASKET INLET DUCT - BLW 240-400	1	n
ZC8	4030110034	GUARN. CONDOTTO ASPIRAZIONE C115	GASKET INLET DUCT - C115	1	n
ZA10	5050107016	VITE M 8X25 TCEI	SCREW - M 8X25 TCEI	6	n
ZC10	5050107016	VITE M 8X25 TCEI	SCREW - M 8X25 TCEI	6	n
ZA11	5050107206	VITE ZINCATA M 6X35 TE	SCREW - M 6X35 TE GALVANIZED	4	n
ZC11	5050107206	VITE ZINCATA M 6X35 TE	SCREW - M 6X35 TE GALVANIZED	4	n
ZA12	4010007093	CONDOTTO ASPIRAZIONE BLW 240-400	INLET DUCT - BLW 240-400	1	n
ZC12	4010007102	CONDOTTO ASPIRAZIONE C115	INLET DUCT - C115	1	n
ZA13	5050107109	VITE M 10X25 TEF - DIN 6921 ISO 8100	SCREW - M 10X25 TEF - DIN 6921 ISO 8100	12	n
ZC13	5050107109	VITE M 10X25 TEF - DIN 6921 ISO 8100	SCREW - M 10X25 TEF - DIN 6921 ISO 8100	12	n
ZA14	4030109071	GUARN. COLLETTORE BLW 240-400	MANIFOLD GASKET - BLW 240-400	2	n
ZC14	4030109072	GUARN. COLLETTORE C115	MANIFOLD GASKET - C115	2	n
ZA15	4010406043	FLANGIA PREMICURVA COLLETTORE D 120	FLANGE FOR ELBOW - MANIFOLD D 120	3	n
ZC15	4010406015	FLANGIA PREMICURVA D 100	FLANGE FOR ELBOW - MANIFOLD D 100	3	n
ZA16	4010501040	COLLETTORE DIVISO BLW 240-400	MANIFOLD DIVIDED - BLW 240-400	1	n
ZC16	4010501044	COLLETTORE DIVISO C115	MANIFOLD DIVIDED - C115	1	n
ZA17	4010601189	COPERCHIO CILINDRO INVERT.COLLETT. D 120	REVERSING GEAR COVER - MANIFOLD D 120	1	n
ZC17	4010601186	COPERCHIO CILINDRO INVERT. BALLAST 16000	REVERSING GEAR COVER - BALLAST 16000	1	n
ZA18	4010701027	CILINDRO INVERTITORE COLLETT.BLW 240-400	REVERSING GEAR - MANIFOLD BLW 240-400	1	n
ZC18	4010701028	CILINDRO INVERTITORE COLLETT. C115	REVERSING GEAR - MANIFOLD C115	1	n
ZA19	4010801043	MANIGLIA CON ATTACCO QUADRATO	HANDLE SQUARE CONNECTION	1	n
ZC19	4010801043	MANIGLIA CON ATTACCO QUADRATO	HANDLE SQUARE CONNECTION	1	n
ZA20	4010901026	CURVA SCAR. ORIENTABILE COLLETTORE D 120	REVOLVING ELBOW - MANIFOLD D 120	3	n
ZC20	4010901020	CURVA SCAR. ORIENTABILE D 100	REVOLVING ELBOW - MANIFOLD D 100	3	n
ZA21	4012007011	MOLLA MEC 9-11-13500	SPRING - MEC 9-11-13500	1	n
ZC21	4012007011	MOLLA MEC 9-11-13500	SPRING - MEC 9-11-13500	1	n
ZA22	5030210085	ANELLO TENUTA OR 3625 158.43X2.62	SEAL RING - OR 3625 158.43X2.62	1	n
ZC22	5030210083	ANELLO TENUTA OR 3525 133,02X2.62	SEAL RING - OR 3525 133,02X2.62	1	n
ZA23	5030210086	ANELLO TENUTA OR 6473 120.02X5.34	SEAL RING - OR 6473 120.02X5.34	3	n
ZC23	5030210008	ANELLO TENUTA OR 189	SEAL RING - OR 189	3	n
ZA24	5050107054	VITE M 10X35 TE - UNI 5739	SCREW - M 10X35 TE - UNI 5739	6	n
ZC24	5050107054	VITE M 10X35 TE - UNI 5739	SCREW - M 10X35 TE - UNI 5739	6	n
ZA25	5050207031	RONDELLA PER CONO INVERT. MEC 9-11-13500	TEFLON WASHER REV.GEAR MEC 9-11-13500	1	n
ZC25	5050207031	RONDELLA PER CONO INVERT. MEC 9-11-13500	TEFLON WASHER REV.GEAR MEC 9-11-13500	1	n
ZA26	5030300015	PARAOILIO 35X50X7 TC	OIL SEAL - 35X50X7	1	n
ZC26	5030300015	PARAOILIO 35X50X7 TC	OIL SEAL - 35X50X7	1	n
ZA27	5050107108	VITE M 8X25 TEF - DIN 6921 ISO 8100	SCREW - M 8X25 TEF - DIN 6921 ISO 8100	1	n
ZC27	5050107108	VITE M 8X25 TEF - DIN 6921 ISO 8100	SCREW - M 8X25 TEF - DIN 6921 ISO 8100	1	n

CODE	ARTICLE	DESCRIZIONE	DESCRIPTION	Q.TY	UM
ZA28	5050906016	TAPPO D 2"1/2 GAS	PLUG - D 2"1/2 GAS	1	n
ZC28	5050906007	TAPPO D 2" GAS - DIN 908	PLUG - D 2" GAS - DIN 908	1	n
ZA29	5050812001	INGRASSATORE M 10X1	LUBRICATOR - M 10X1	2	n
ZC29	5050812001	INGRASSATORE M 10X1	LUBRICATOR - M 10X1	2	n
ZA30	4010501042	COLLETTORE BALLAST BLW 240-300	BALLAST MANIFOLD - BLW 240-300	1	n
ZB30	4010501043	COLLETTORE BALLAST BLW 310-400	BALLAST MANIFOLD - BLW 310-400	1	n
ZC30	4010501046	COLLETTORE BALLAST BLM 160-210	BALLAST MANIFOLD - BLM 160-210	1	n
ZD30	4010501045	COLLETTORE BALLAST BLM 220-270	BALLAST MANIFOLD - BLM 220-270	1	n
ZA31	4010006035	CONTROFLANGIA BALLAST BLW 240-400	COUNTERFLANGE BALLAST - BLW 240-400	1	n
ZC31	4010006040	CONTROFLANGIA BALLAST BLW 160-270	COUNTERFLANGE BALLAST - BLW 160-270	1	n
ZA32	4030110031	GUARN. BALLAST BLW 240-400	GASKET BALLAST - BLW 240-400	1	n
ZC32	4030110035	GUARN. BALLAST BLW 160-270	GASKET BALLAST - BLW 160-270	1	n
ZA34	4012401003	PIEDE BLW 310-360	SUPPORTING FOOT - BLW 310-360	2	n
ZC34	4012401004	PIEDE BLW 160-270	SUPPORTING FOOT - BLW 160-270	2	n
ZA35	5050107072	VITE M 12X30 TCEI	SCREW - M 12X30 TCEI	8	n
ZC35	5050107072	VITE M 12X30 TCEI	SCREW - M 12X30 TCEI	8	n
ZA36	5050107225	VITE M 10X30 TCEI	SCREW - M 10X30 TCEI	32	n
ZC36	5050107225	VITE M 10X30 TCEI	SCREW - M 10X30 TCEI	32	n
ZA38	4030108084	GUARN. COPERCHIO BLW 240-360 MA-PM	GASKET GEARBOX COVER - BLW 240-360 MA-PM	1	n
ZC38	4030108090	GUARN. COPERCHIO BLM 160-250 MA	GASKET GEARBOX COVER - BLM 160-250 MA	1	n
ZA39	5030300059	PARAOLIO 45X62X7 - FKM	OIL SEAL - 45X62X7 - FKM	1	n
ZC39	5030300059	PARAOLIO 45X62X7 - FKM	OIL SEAL - 45X62X7 - FKM	1	n
ZA40	5012107064	CUSCINETTO A RULLI 21309 - NSK	ROLLER BEARING - 21309	1	n
ZA41	5012107065	CUSCINETTO A RULLI 21307 - NSK	ROLLER BEARING - 21307	1	n
ZA42	5012107062	CUSCINETTO A SFERE 6310 C3 - SKF	BALL BEARING 6310 C3 - SKF	2	n
ZC42	5012107052	CUSCINETTO A SFERE 6309 - SKF	BALL BEARING 6309 - SKF	3	n
ZA43	4020507023	INGR. CON ALBERO BLW 240-310 P (Z72)	GEAR WITH SHAFT Z72 - BLW 240-310 P	1	n
ZA44	4020607067	PIGNONE MA-PM BLW (Z25)	PINION MA-PM BLW (Z25)	1	n
ZB44	4020607068	PIGNONE MA-PM BLW (Z28)	PINION MA-PM BLW (Z28)	1	n
ZC44	4020607067	PIGNONE MA-PM BLW (Z25)	PINION MA-PM BLW (Z25)	1	n
ZD44	4020607068	PIGNONE MA-PM BLW (Z28)	PINION MA-PM BLW (Z28)	1	n
ZA45	4020107045	PORTACUSCINETTO BLW 160-360 MA-PM	BEARNIG HOLDER - BLW 160-360 MA-PM	1	n
ZC45	4020107045	PORTACUSCINETTO BLW 160-360 MA-PM	BEARNIG HOLDER - BLW 160-360 MA-PM	1	n
ZA46	5050107177	VITE ZINCATA M 8X20 TCEI	GALVANIZED SCREW - M 8X20 TCEI	4	n
ZC46	5050107177	VITE ZINCATA M 8X20 TCEI	GALVANIZED SCREW - M 8X20 TCEI	4	n
ZA47	5050300021	GHIERA AUTOBLOCCANTE M 40X1.5 GUK HV140	RING NUT M 40X1.5 GUK HV140	2	n
ZC47	5050300021	GHIERA AUTOBLOCCANTE M 40X1.5 GUK HV140	RING NUT M 40X1.5 GUK HV140	2	n
ZA48	4030206002	DISCO PARAOLIO BLW 240-400	OIL SEAL DISC - BLW 240-400	4	n
ZC48	4030206003	DISCO PARAOLIO BLW 190-250	OIL SEAL DISC - BLW 190-250	4	n
ZA49	4011707162	CAMERA DI TENUTA BLW 240-400	SEALING CHAMBER - BLW 240-400	4	n
ZC49	4011707198	CAMERA DI TENUTA BLW 190-250	SEALING CHAMBER - BLW 190-250	4	n
ZA50	4012301002	SEGMENTO BLW 240-400	PISTON RING - BLW 240-400	16	n
ZC50	4012301003	SEGMENTO BLW 190-250	PISTON RING - BLW 190-250	16	n
ZA51	4011707161	DISTANZIALE DI TENUTA BLW 240-400	SEALING SPACER - BLW 240-400	4	n
ZC51	4011707197	DISTANZIALE DI TENUTA BLW 190-250	SEALING SPACER - BLW 190-250	4	n
ZA52	5030210106	ANELLO TENUTA OR 3237 Ø 60X2.62 FKM	SEAL RING - OR 3237 Ø 60X2.62 FKM	4	n
ZC52	5030210107	ANELLO TENUTA OR 3200 Ø 50X2.62 FKM	SEAL RING - OR 3200 Ø 50X2.62 FKM	4	n
ZA53	4450002025	TAPPO TCE 3 1/2" GAS	PLUG - TCE 3 1/2" GAS	5	n
ZC53	4450002025	TAPPO TCE 3 1/2" GAS	PLUG - TCE 3 1/2" GAS	5	n
ZA54	5060605017	TAPPO LIVELLO OLIO D 1/2" GAS GLASS	LEVEL OIL PLUG - D 1/2" GAS GLASS	4	n
ZC54	5060605017	TAPPO LIVELLO OLIO D 1/2" GAS GLASS	LEVEL OIL PLUG - D 1/2" GAS GLASS	4	n
ZA55	5051107015	SPINA CILINDRICA D 10X32 FORO M6	CYLINDRICAL PIN - D 10X32 - HOLE M6	6	n
ZC55	5051107015	SPINA CILINDRICA D 10X32 FORO M6	CYLINDRICAL PIN - D 10X32 - HOLE M6	6	n
ZA56	5050906009	TAPPO D 1/2" GAS - DIN 908	PLUG - D 1/2" GAS - DIN 908	2	n
ZC56	5050906009	TAPPO D 1/2" GAS - DIN 908	PLUG - D 1/2" GAS - DIN 908	2	n
ZA57	4450002005	CUSCINETTO A SFERE CONT.OBL. 3310 -CL.C3	BALL BEARING 3310-CL.C3	2	n
ZC57	5012107068	CUSCINETTO A SFERE CONT.OBL. 3309 -CL.C3	BALL BEARING 3309-CL.C3	2	n
ZA58	5050707028	CHIAVETTA 12X8X50	KEY - 12X8X50	1	n

CODE	ARTICLE	DESCRIZIONE	DESCRIPTION	Q.TY	UM
ZC58	5050707028	CHIAVETTA 12X8X50	KEY - 12X8X50	1	n
ZA59	4030108086	GUARN. COPERCHIO ISPEZIONE BLW 240-300	INSPECTION COVER GASKET - BLW 240-300	1	n
ZB59	4030108082	GUARN. COPERCHIO ISPEZIONE BLW 310-400	INSPECTION COVER GASKET - BLW 310-400	1	n
ZC59	4030108094	GUARN. COPERCHIO ISPEZIONE BLW 160-210	INSPECTION COVER GASKET - BLW 160-210	1	n
ZD59	4030108089	GUARN. COPERCHIO ISPEZIONE BLW 220-270	INSPECTION COVER GASKET - BLW 220-270	1	n
ZA60	4010606056	COPERCHIO ISPEZIONE BLW 240-300	INSPECTION COVER - BLW 310-400	1	n
ZB60	4010606050	COPERCHIO ISPEZIONE BLW 310-400	INSPECTION COVER - BLW 310-400	1	n
ZC60	4010606065	COPERCHIO ISPEZIONE BLW 160-210	INSPECTION COVER - BLW 160-210	1	n
ZD60	4010606059	COPERCHIO ISPEZIONE BLW 220-270	INSPECTION COVER - BLW 220-270	1	n
ZA61	5050107184	VITE ZINCATA M 6X20 TCEI	GALVANIZED SCREW - M 6X20 TCEI	10	n
ZC61	5050107184	VITE ZINCATA M 6X20 TCEI	GALVANIZED SCREW - M 6X20 TCEI	10	n
ZA62	4011707172	PIASTRINA DI REGOLAZIONE BLW-SPESS.3,85	ADJUSTING PLATE THICKNESS 3.85 - BLW	4	n
ZC62	4011707155	PIASTRINA DI REGOLAZIONE BLW-SPESS.3,50	ADJUSTING PLATE THICKNESS 3.50 - BLW	4	n
ZA63	4010606051	COPERCHIO CUSCINETTO BLW 240-400	BEARING COVER - BLW 240-400	2	n
ZC63	4010606060	COPERCHIO CUSCINETTO BLW 160-270	BEARING COVER - BLW 160-270	2	n
ZA64	4011707163	DISTANZIALE CUSCINETTO BLW 240-400	BEARING SPACER - BLW 240-400	2	n
ZC64	4011707199	DISTANZIALE CUSCINETTO BLW 160-270	BEARING SPACER - BLW 160-270	2	n
ZA65	4020807042	RUOTA DENTATA Z45 BLW 240-400	GEAR Z45 - BLW 240-400	2	n
ZC65	4020807046	RUOTA DENTATA Z40 BLW 160-270	GEAR Z40 - BLW 160-270	2	n
ZA66	4020107044	DISCO LUBRIFICAZIONE POST. BLW 240-400	REAR OIL SLINGER - BLW 240-400	1	n
ZC66	4020107048	DISCO LUBRIFICAZIONE POST. BLW 160-270	REAR OIL SLINGER - BLW 160-270	1	n
ZA67	5050300019	GHIERA AUTOBLOCCANTE M 45X1.5 GUP HV140	RING NUT M 45X1.5 GUP HV140	2	n
ZC67	5050300022	GHIERA AUTOBLOCCANTE M 40X1.5 GUP HV140	RING NUT M 40X1.5 GUP HV140	2	n
ZA68	4010601207	CARTER POSTERIORE BLW 240-400	REAR COVER - BLW 240-400	1	n
ZC68	4010601213	CARTER POSTERIORE BLW 160-270	REAR COVER - BLW 160-270	1	n
ZA69	4030108081	GUARN. CARTER BLW 240-400	BACK AND FRONT COVER GASKET -BLW 240-400	1	n
ZC69	4030108088	GUARN. CARTER BLW 160-270	BACK AND FRONT COVER GASKET -BLW 160-270	1	n
ZA70	5012207008	ANELLO DI COMPENSAZIONE Ø 110 - LMKAS	COMPRESSION & THRUST RING Ø 110 - LMKAS	6	n
ZC70	5012207003	ANELLO DI COMPENSAZIONE Ø 100 - LMKAS	COMPRESSION & THRUST RING Ø 100 - LMKAS	4	n
ZA71	5050202010	RONDELLA D 10X16X1,5 RAME	COPPER WASHER - D 10X16X1,5	2	n
ZC71	5050202010	RONDELLA D 10X16X1,5 RAME	COPPER WASHER - D 10X16X1,5	2	n
ZA72	5050107227	VITE M 10X70 TCEI	SCREW - M 10X70 TCEI	6	n
ZC72	5050107227	VITE M 10X70 TCEI	SCREW - M 10X70 TCEI	6	n
ZA73	5050107027	VITE M 12X30 TE - UNI5739	SCREW - M 12X30 TE	4	n
ZC73	5050107027	VITE M 12X30 TE - UNI5739	SCREW - M 12X30 TE	4	n
ZA74	4010401091	FIANCO POSTERIORE BLW 240-400	REAR SUPPORT - BLW 240-400	1	n
ZC74	4010401094	FIANCO POSTERIORE BLW 160-270	REAR SUPPORT - BLW 160-270	1	n
ZA75	5050207022	RONDELLA D 8X23X4 - DIN 6340	WASHER - 8X23X4 - DIN 6340	1	n
ZC75	5050207022	RONDELLA D 8X23X4 - DIN 6340	WASHER - 8X23X4 - DIN 6340	1	n
ZA76	5050906001	TAPPO D 1/4" GAS	PLUG - D 1/4" GAS	1	n
ZC76	5050906001	TAPPO D 1/4" GAS	PLUG - D 1/4" GAS	1	n
ZA77	5050903003	TAPPO D 1/8" GAS	PLUG - D 1/8" GAS	2	n
ZC77	5050903003	TAPPO D 1/8" GAS	PLUG - D 1/8" GAS	2	n
ZA78	5050107236	VITE ZINCATA M 8X130 TCEI UNI 5931 8.8	GALVANIZED SCREW - M 8X130 TCEI	4	n
ZB78	5050107232	VITE ZINCATA M 8X120 TCEI UNI 5931 8.8	GALVANIZED SCREW - M 8X120 TCEI	2	n
ZC78	5050107236	VITE ZINCATA M 8X130 TCEI UNI 5931 8.8	GALVANIZED SCREW - M 8X130 TCEI	4	n
ZA79	5050107237	VITE ZINCATA M 8X80 TCEI	GALVANIZED SCREW - M 8X80 TCEI	4	n
ZB79	5050107234	VITE ZINCATA M 8X100 TCEI	GALVANIZED SCREW - M 8X100 TCEI	6	n
ZC79	5050107234	VITE ZINCATA M 8X100 TCEI	GALVANIZED SCREW - M 8X100 TCEI	6	n
ZA80	5050300020	GHIERA AUTOBLOCCANTE M 45X1.5 GUK HV140	RING NUT M 45X1.5 GUK HV140	1	n
ZA81	5050202003	RONDELLA D 1/4" GAS ALLUMINIO	ALUMINIUM WASHER - D 1/4" GAS	1	n
ZC81	5050202003	RONDELLA D 1/4" GAS ALLUMINIO	ALUMINIUM WASHER - D 1/4" GAS	1	n
ZA82	5050207005	RONDELLA D 12 - UNI6592	SMOOTH WASHER - D 12	4	n
ZC82	5050207005	RONDELLA D 12 - UNI6592	SMOOTH WASHER - D 12	4	n
ZA100	4450002038	TAPPO TCF 1G 1/4" GAS	PLUG- TCF 1G 1/4" GAS	2	n
ZC100	4450002038	TAPPO TCF 1G 1/4" GAS	PLUG- TCF 1G 1/4" GAS	2	n
ZA101	4020107043	DISCO LUBRIFICAZIONE ANTERIORE BLW 300-400	FRONT OIL SLINGER - BLW 300-400	1	n
ZC101	4020107049	DISCO LUBRIFICAZIONE ANTERIORE BLW 185-270	FRONT OIL SLINGER - BLW 185-270	1	n

CODE	ARTICLE	DESCRIZIONE	DESCRIPTION	Q.TY	UM
ZA102	4010601206	CARTER ANTERIORE BLW 300-400	FRONT COVER - BLW 300-400	1	n
ZC102	4010601214	CARTER ANTERIORE BLW 210-270	FRONT COVER - BLW 210-270	1	n
ZA103	5030300058	PARAOLIO 70X100X10 TC - FKM	OIL SEAL - 70X100X10 TC - FKM	1	n
ZC103	5030300060	PARAOLIO 55X80X10 TC - FKM	OIL SEAL - 55X80X10 TC - FKM	1	n
ZA104	5050507028	ANELLO SEEGER I 100 - DIN 472	CIRCLIP - I 100 DIN 472	1	n
ZC104	5050507011	ANELLO SEEGER I 80 - DIN 472	CIRCLIP - I 80 DIN 472	1	n
ZA105	4011707164	BOCCOLA 60X70X30 BLW 300-400	BUSHING 60X70X30 - BLW 300-400	1	n
ZC105	4011707200	BOCCOLA 50X55X20 BLW 185-270	BUSHING 50X55X20 - BLW 185-270	1	n
ZA106	5012107063	CUSCINETTO A RULLI NJ 312 E C3	ROLLER BEARING - NJ 312 E C3	1	n
ZC106	5012107069	CUSCINETTO A RULLI NJ 310 E C3	ROLLER BEARING - NJ 310 E C3	1	n
ZA107	5012207009	ANELLO DI COMPENSAZIONE Ø 72 G - LMKAS	COMPRESSION & THRUST RING Ø 72 G - LMKAS	1	n
ZC107	5012207012	ANELLO DI COMPENSAZIONE Ø 62 A - LMKAS	COMPRESSION & YHRUST RING Ø 62 A - LMKAS	1	n
ZA108	5050107011	VITE M 8X16 TE - UNI 5739	SCREW - M 8X16 TE - UNI 5739	1	n
ZC108	5050107011	VITE M 8X16 TE - UNI 5739	SCREW - M 8X16 TE - UNI 5739	1	n
ZA109	5050207043	RONDELLA D 8X24X2	WASHER - D 8X24X2	1	n
ZC109	5050207043	RONDELLA D 8X24X2	WASHER - D 8X24X2	1	n
ZA110	4010401090	FIANCO ANTERIORE BLW 300-400	FRONT SUPPORT - BLW 300-400	1	n
ZC110	4010401096	FIANCO ANTERIORE BLW 185-270	FRONT SUPPORT - BLW 185-270	1	n
ZA111	5050707035	CHIAVETTA 16X10X100 UNI 6604/A	KEY - 16X10X100 UNI 6604/A	1	n
ZC111	5050707038	CHIAVETTA 14X9X100 UNI 6604/A	KEY - 14X9X100 UNI 6604/A	1	n
ZA112	4010220238	ROTORE PRIMARIO P BLW 300	DRIVE ROTOR P - BLW 300	1	n
ZB112	4010220241	ROTORE PRIMARIO P BLW 400	DRIVE ROTOR P - BLW 400	1	n
ZC112	4010220250	ROTORE PRIMARIO P BLW 210	DRIVE ROTOR P - BLW 210	1	n
ZD112	4010220247	ROTORE PRIMARIO P BLW 270	DRIVE ROTOR P - BLW 270	1	n
ZA113	5050207049	ROSETTA ELASTICA ZIGRINATA SCHNORR M10	SCHNORR WASHER - M10	32	n
ZC113	5050207049	ROSETTA ELASTICA ZIGRINATA SCHNORR M10	SCHNORR WASHER - M10	32	n
ZA114/3,5	4011001200	SUPPORTO MOTORE IDR.BLW 300 H - 30,43	HYDRAULIC MOTOR SUPPORT - BLW 300-400 H - 30,43	1	n
ZA114/4	4011001179	SUPPORTO MOTORE IDR.BLW 300-400 H - 40,73	HYDRAULIC MOTOR SUPPORT - BLW 300-400 H - 40,73	1	n
ZC114/3,5	4011001201	SUPPORTO MOTORE IDR.BLW 210-270 H - 30,43	HYDRAULIC MOTOR SUPPORT - BLW 210-270 H - 30,43	1	n
ZD114/3	4011001198	SUPPORTO MOTORE IDR.BLW 210-270 H - 30,73	HYDRAULIC MOTOR SUPPORT - BLW 210-270 H - 30,73	1	n
ZA115/3,5	4060505110	PROTEZIONE GIUNTO BLW 300 H - 30,43/30,73	COUPLING PROTECTION - BLW 300 H - 30,43/30,73	1	n
ZA115/4	4060505106	PROTEZIONE GIUNTO BLW 300-400 H - 40,73	COUPLING PROTECTION - BLW 300-400 H - 40,73	1	n
ZC115/3,5	4060505110	PROTEZIONE GIUNTO BLW 300 H - 30,43/30,73	COUPLING PROTECTION - BLW 300 H - 30,43/30,73	1	n
ZD115/3	4060505106	PROTEZIONE GIUNTO BLW 300-400 H - 40,73	COUPLING PROTECTION - BLW 300-400 H - 40,73	1	n
ZA116/3,5	5020707041	GIUNTO EL. COLLEGAMENTO D 42/55 -BLW300 H - 30,43	JOINT CONNECTION D 42/55 - BLW 300 H - 30,43	1	n
ZA116/4	5020707039	GIUNTO EL. COLLEGAMENTO D 42/55 -BLW 300-400 H - 40,73	JOINT CONNECTION D 42/55 - BLW 300-400 H - 40,73	1	n
ZC116/3,5	5020707042	GIUNTO EL. COLLEGAMENTO D 42/55 -BLW 270 H - 30,43	JOINT CONNECTION D 42/55 - BLW 270 H - 30,43	1	n
ZD116/3	5020707040	GIUNTO EL. COLLEGAMENTO D 42/55 -BLW 270 H - 30,73	JOINT CONNECTION D 42/55 - BLW 270 H - 30,73	1	n
ZA117/3,5	4011707202	ANELLO DI CENTRAGGIO MOTORE BLW 300 H - 30,43	CENTERING MOTOR BLW 300 H - 30,43	1	n
ZA117/4	4011707181	ANELLO DI CENTRAGGIO MOTORE BLW 300-400 H - 40,73	CENTERING MOTOR BLW 300-400 H - 40,73	1	n
ZC117/3,5	4011707202	ANELLO DI CENTRAGGIO MOTORE BLW 300 H - 30,43	CENTERING MOTOR BLW 300 H - 30,43	1	n
ZD117/3	4011707201	ANELLO DI CENTRAGGIO MOTORE BLW 210-270 H - 30,73	CENTERING MOTOR BLW 210-270 H - 30,73	1	n
ZA118/3,5	6080200056	MOTORE IDR. KM 30.43 SO GR.3,5 COMPL.	HYDRAULIC MOTOR KM 30.43 SO GR.3,5	1	n
ZA118/4	6080200118	MOTORE IDR. KM 40.73 RO GR.4 COMPL.	HYDRAULIC MOTOR KM 40.73 RO GR.4	1	n
ZC118/3,5	6080200056	MOTORE IDR. KM 30.43 SO GR.3,5 COMPL.	HYDRAULIC MOTOR KM 30.43 SO GR.3,5	1	n
ZD118/3	6080200141	MOTORE IDR. KM 30.73 RO GR.3 COMPL.	HYDRAULIC MOTOR KM 30.73 RO GR.3	1	n
ZA119/3,5	5050107220	VITE ZINCATA M 10X35 TCEI	GALVANIZED SCREW - M 10X35 TCEI	4	n
ZA119/4	5050107223	VITE ZINCATA M 12X45 TCEI	GALVANIZED SCREW - M 12X45 TCEI	4	n
ZC119	5050107220	VITE ZINCATA M 10X35 TCEI	GALVANIZED SCREW - M 10X35 TCEI	4	n
ZA120	5050107115	VITE M 10X25 TCEI INOX	INOX SCREW - M 10X25 TCEI	4	n
ZC120	5050107115	VITE M 10X25 TCEI INOX	INOX SCREW - M 10X25 TCEI	4	n
ZA121	4010606063	COPERCHIO PARAOLIO BLW/PM	OIL SEAL COVER BLW/PM	1	n
ZC121	4010606063	COPERCHIO PARAOLIO BLW/PM	OIL SEAL COVER BLW/PM	1	n
ZA122	4030108092	GUARNIZIONE COPERCHIO PARAOLIO BLW/PM	GASKET GEARBOX COVER BLW/PM	1	n
ZC122	4030108092	GUARNIZIONE COPERCHIO PARAOLIO BLW/PM	GASKET GEARBOX COVER BLW/PM	1	n
ZA123	5012107071	CUSCINETTO A RULLI 22309 - NSK	ROLLER BEARING - 22309	1	n
ZC123	5012107071	CUSCINETTO A RULLI 22309 - NSK	ROLLER BEARING - 22309	1	n
ZA124	4010606066	COPERCHIO SCATOLA MOLTIPLICATORE BLW/PM	GEARBOX COVER BLW/PM	1	n

CODE	ARTICLE	DESCRIZIONE	DESCRIPTION	Q.TY	UM
ZC124	4010606062	COPERCHIO SCATOLA MOLTIPLICATORE BLW 180-250/P	GEARBOX COVER BLW 180-250/PM	1	n
ZA125	5050707037	CHIAVETTA 14X9X80	KEY - 14X9X80	1	n
ZC125	5050707037	CHIAVETTA 14X9X80	KEY - 14X9X80	1	n
ZA126	4020507025	INGRANAGGIO CON ALBERO BLW/PM Z 75	GEAR WITH SHAFT Z 75	1	n
ZB126	4020507026	INGRANAGGIO CON ALBERO BLW/PM Z 72	GEAR WITH SHAFT Z 72	1	n
ZC126	4020507025	INGRANAGGIO CON ALBERO BLW/PM Z 75	GEAR WITH SHAFT Z 75	1	n
ZD126	4020507026	INGRANAGGIO CON ALBERO BLW/PM Z 72	GEAR WITH SHAFT Z 72	1	n
ZA127	5012107070	CUSCINETTO A RULLI NU 2308	ROLLER BEARING - NU 2308	1	n
ZC127	5012107070	CUSCINETTO A RULLI NU 2308	ROLLER BEARING - NU 2308	1	n
ZA128	4020107050	PORTACUSCINETTO BLW/PM	BEARING HOLDER BLW/PM	1	n
ZC128	4020107050	PORTACUSCINETTO BLW/PM	BEARING HOLDER BLW/PM	1	n
ZA129	5050107006	VITE VITE M6X20 TE	SCREW - M6X20 TE	1	n
ZC129	5050107006	VITE VITE M6X20 TE	SCREW - M6X20 TE	1	n
ZA130	5050107192	RONDELLA D 6,6X18X2	WASHER - D 6,6X18X2	1	n
ZC130	5050107192	RONDELLA D 6,6X18X2	WASHER - D 6,6X18X2	1	n
ZC131	5060605005	TAPPO NERO 1" 1/2 GAS	PLUG - 1" 1/2 GAS	1	n
ZA132	5050107239	VITE M 6X30 TE - INOX	SCREW - M 6X30 TE - INOX	2	n
ZC132	5050107239	VITE M 6X30 TE - INOX	SCREW - M 6X30 TE - INOX	2	n



Battioni®
Pagani

Setting the pace since 1953

0	01.05.2021	1° EMISSIONE	PROG	R DT	AM
REV.	DATA	MOTIVO	PREPARATO	APPROVATO	AUTORIZZATO



Battioni®
Pagani

Setting the pace since 1953

Via Cav. Enzo Ferrari, 2
43058 Ramoscello di Sorbolo (PR) - Italy

Ph. +39 0521 663203

Fax +39 0521 663206



www.bapag.it
info@bapag.it