

Catalogo generale ricambi

General spare parts catalogue

Catalogue générale des pièces de rechange

Ersatzteile-katalog

Catálogo de piezas



Battioni®
Pagani

Setting the pace since 1953

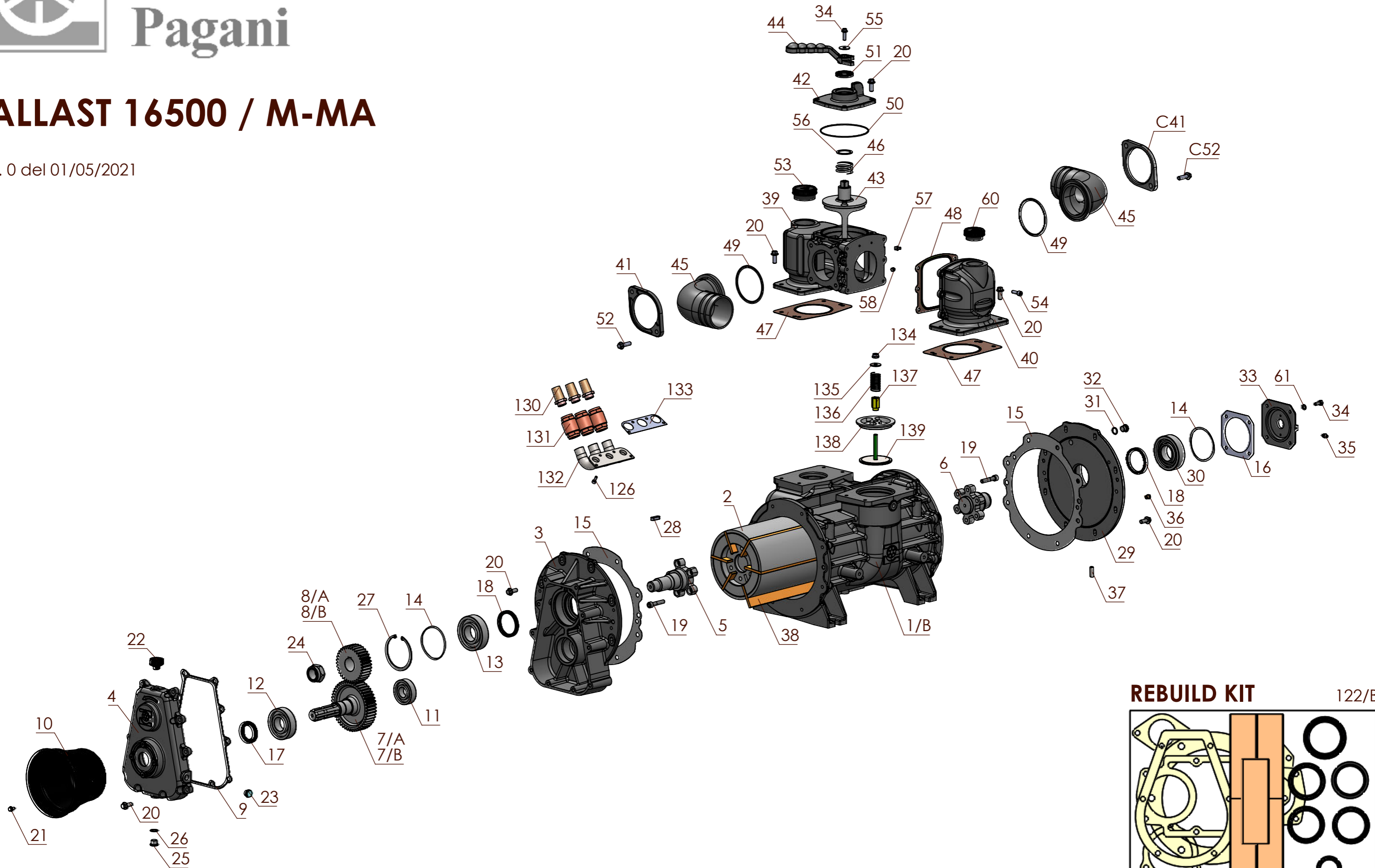
2021



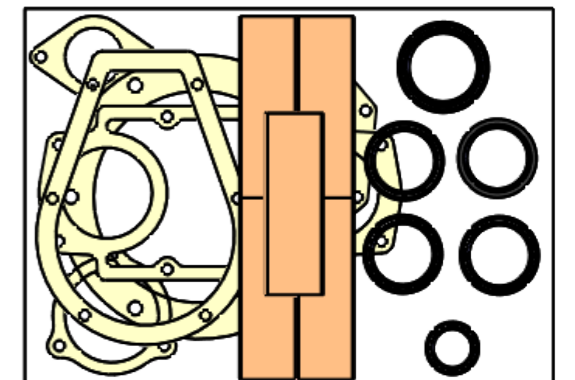
Battioni® Pagani

BALLAST 16500 / M-MA

Rev. 0 del 01/05/2021



REBUILD KIT 122/B

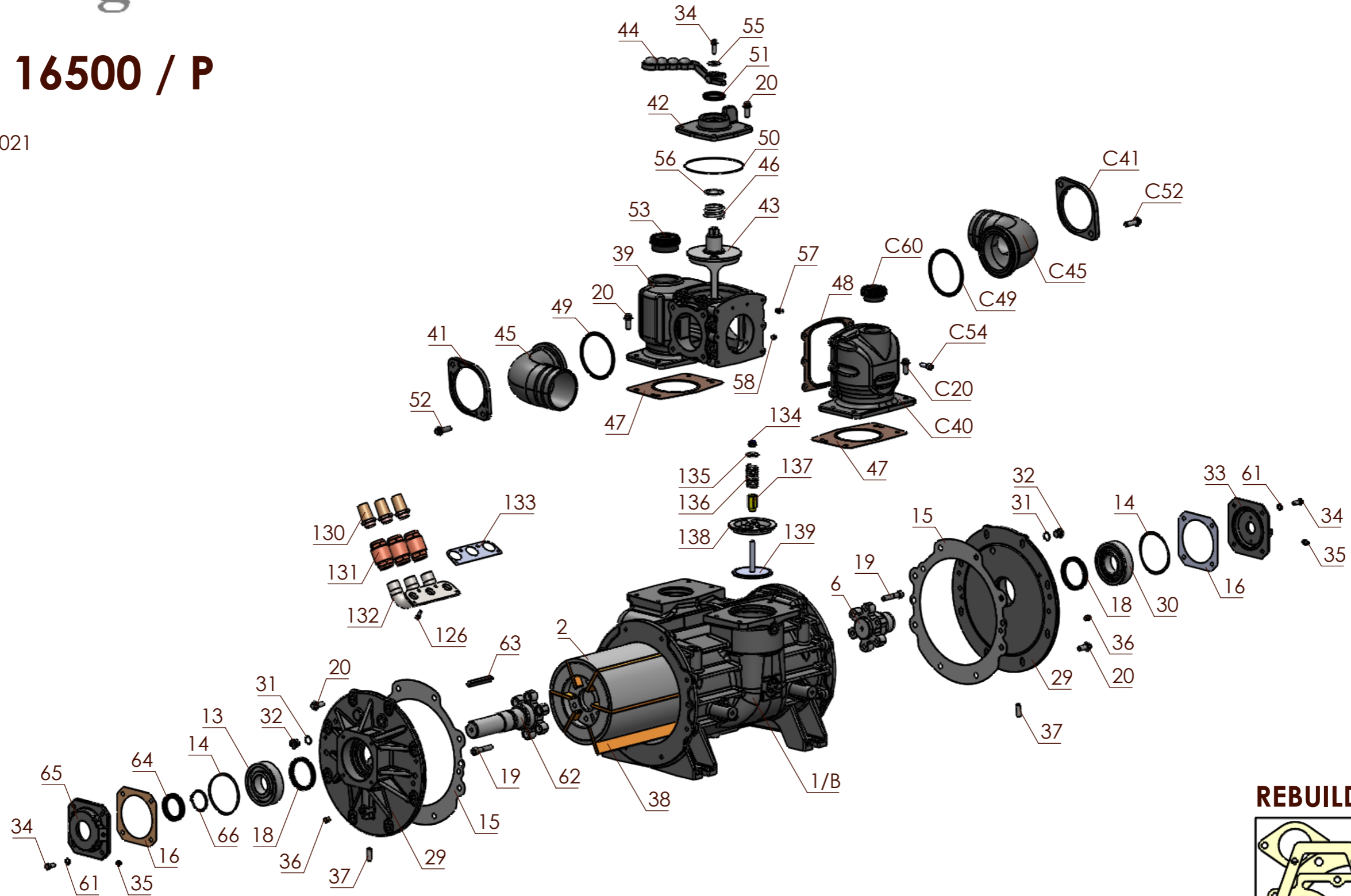




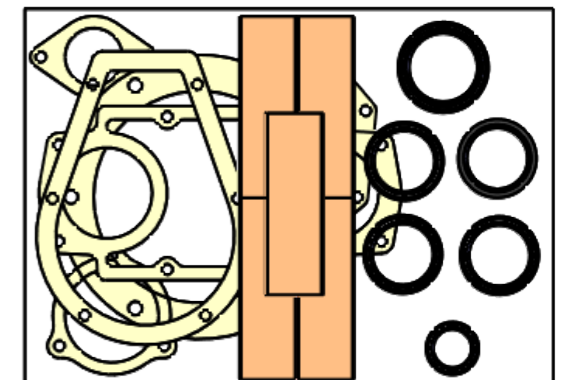
Battioni® Pagani

BALLAST 16500 / P

Rev. 0 del 01/05/2021



REBUILD KIT 122/B

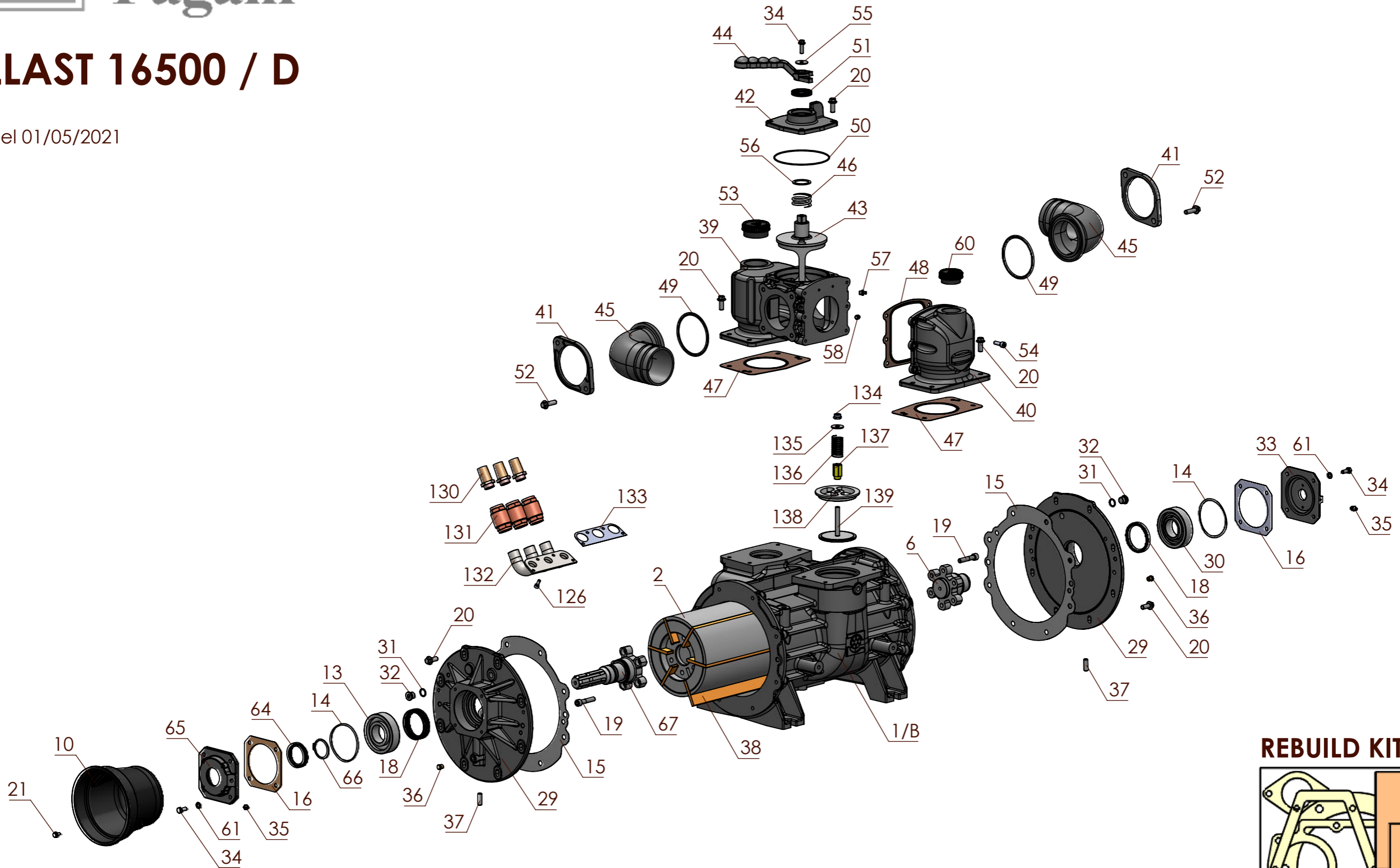




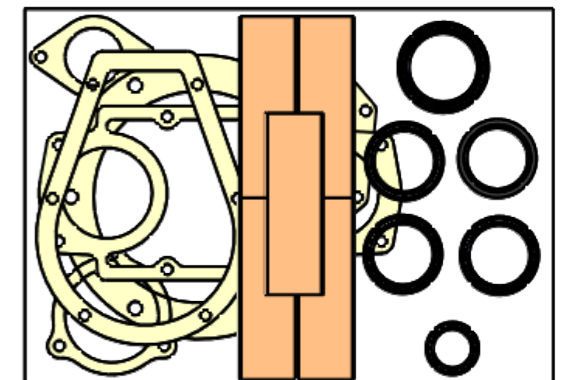
Battioni®
Pagani

BALLAST 16500 / D

Rev. 0 del 01/05/2021



REBUILD KIT 122/B

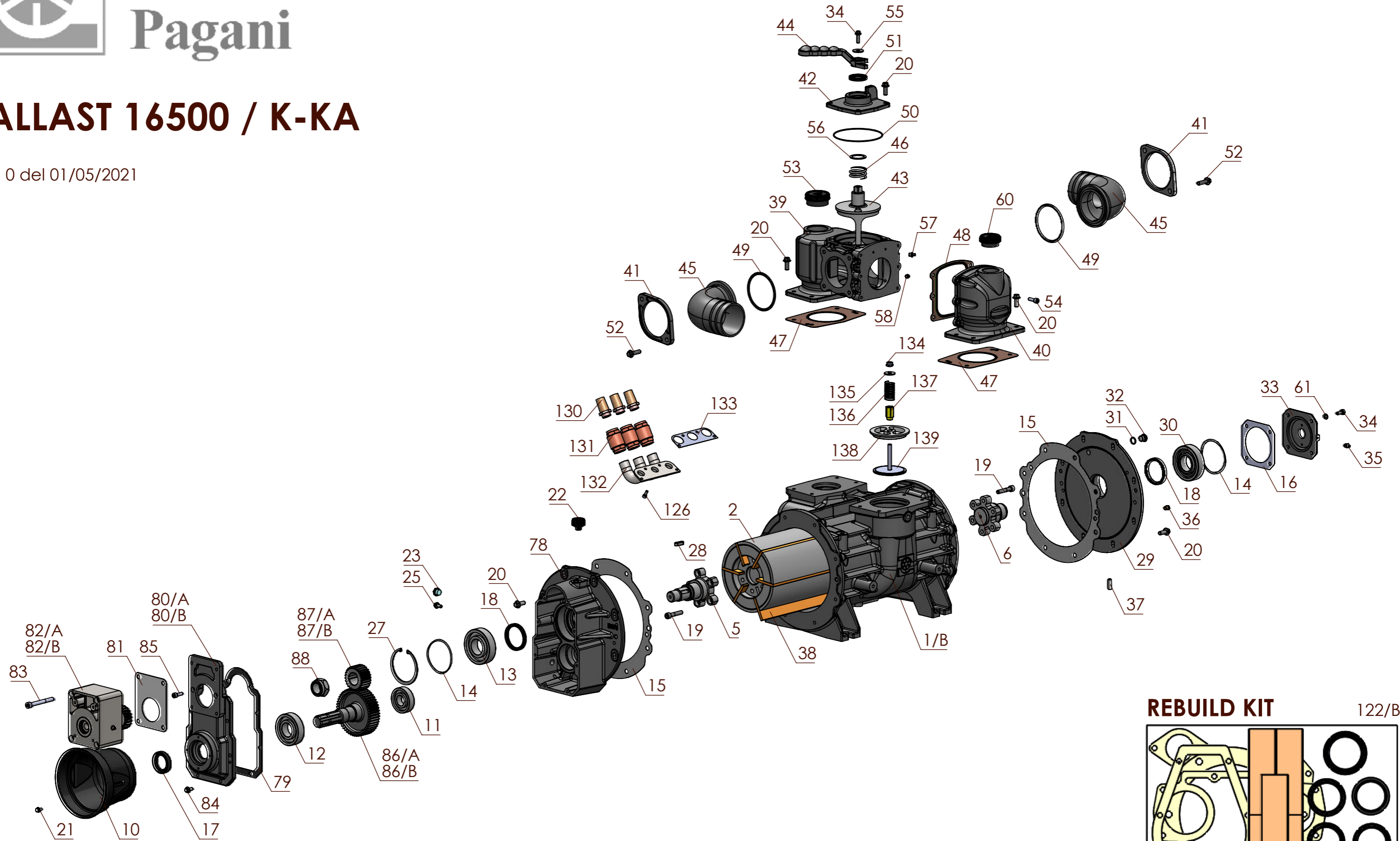




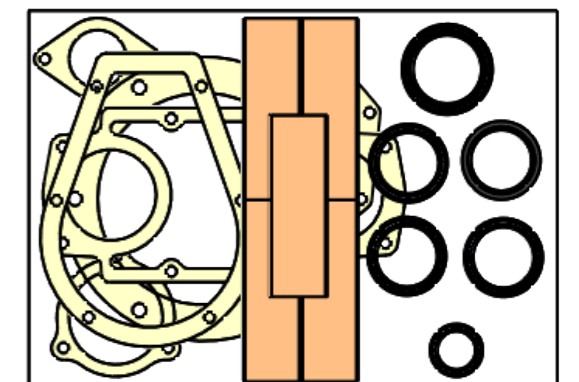
Battioni®
Pagani

BALLAST 16500 / K-KA

Rev. 0 del 01/05/2021



REBUILD KIT 122/B

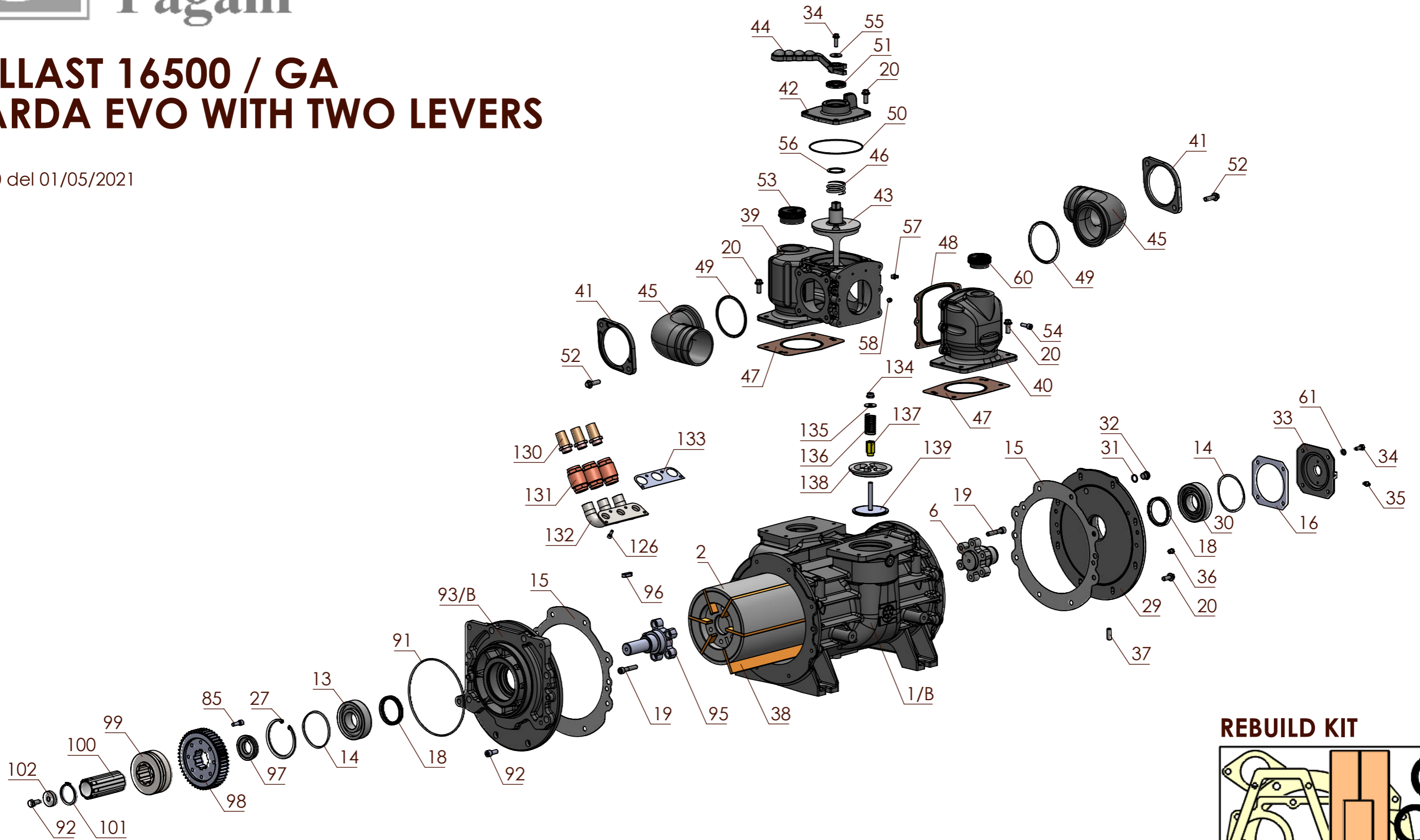




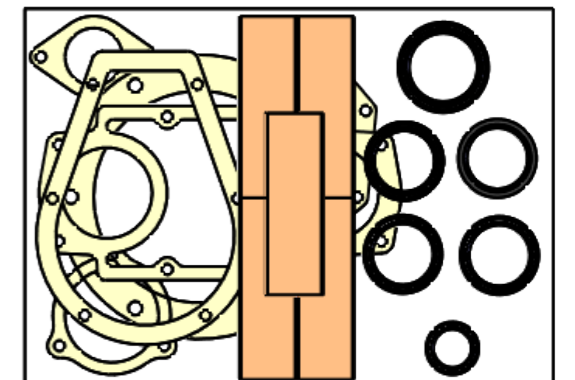
Battioni®
Pagani

BALLAST 16500 / GA GARDA EVO WITH TWO LEVERS

Rev. 0 del 01/05/2021



REBUILD KIT 122/B

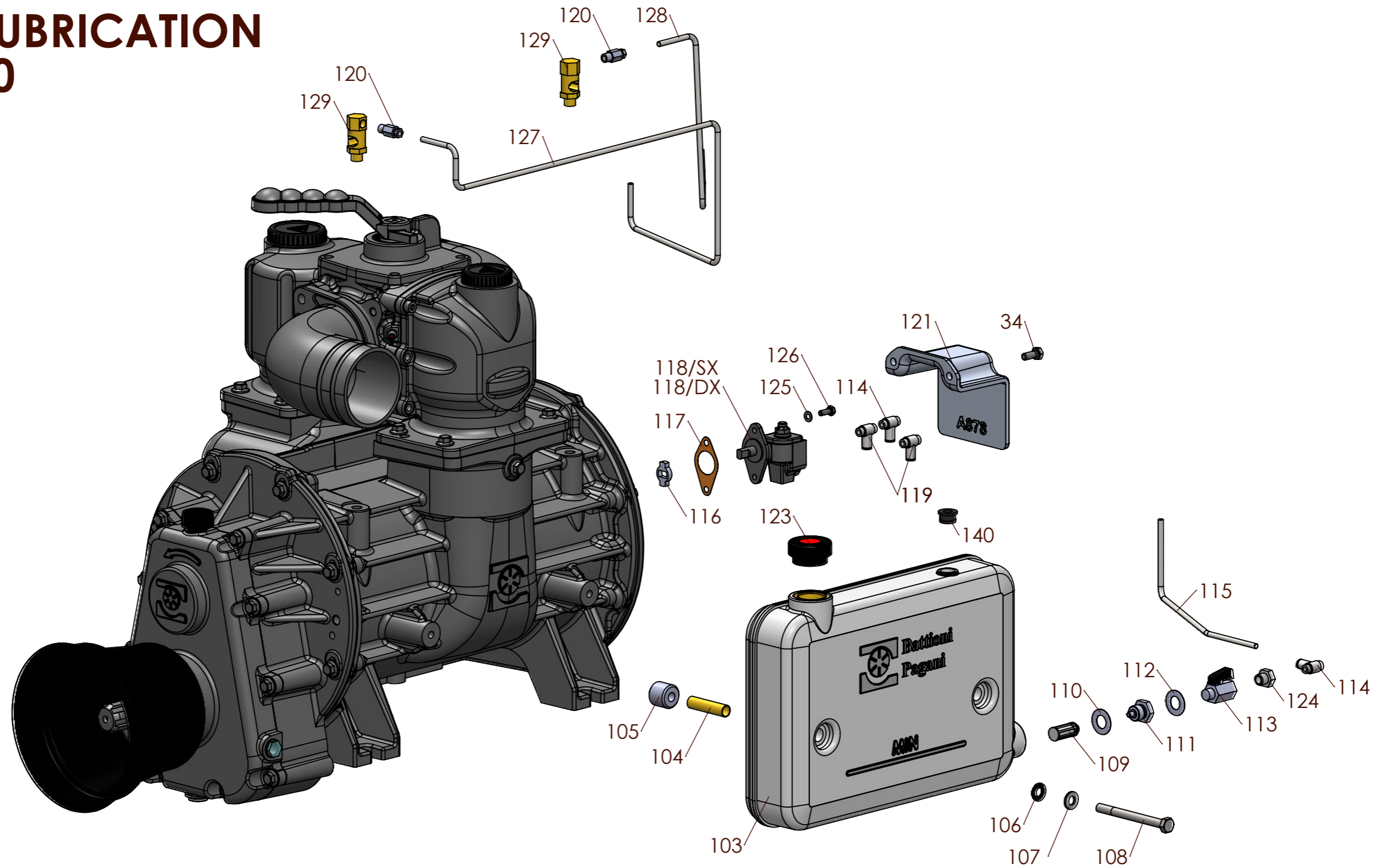




Battioni®
Pagani

AUTOMATIC LUBRICATION BALLAST 16500

Rev. 0 del 01/05/2021



CODE	ARTICLE	DESCRIZIONE	DESCRIPTION	Q.TY	UM
1/B	4010101209	CORPO POMPA BALLAST 16500	HOUSING BALLAST 16500	n	1
2	4010220244	ROTORE COLATA CONTINUA MEC/BALLAST 16500	CONTINUOUS CASTING ROTOR MEC/BALLAST 16500	n	1
3	4010301032	SCATOLA MOLT. BALLAST 16000/M-MA	GEARBOX - BALLAST 16000/M-MA	n	1
4	4010601180	COPERCHIO SCATOLA MOLT. BALLAST 16000	GEARBOX COVER - BALLAST 16000/M-MA	n	1
5	4011907117	PERNO ANTERIORE BALLAST 16000/M-MA 6P	FRONT PIN BALLAST 16000/M-MA - 6P	n	1
6	4011907124	PERNO POSTERIORE BALLAST 16000 6P	REAR PIN BALLAST 16000 - 6P	n	1
7	4020507015	INGR. CON ALBERO BALLAST 16000/M Z58-M3	GEAR WHIT SHAFT - BALLAST 16000/M Z58 - M3	n	1
8	4020607060	PIGNONE BALLAST 16000/M Z23-M3	PINION - BALLAST 16000/M Z23-M3	n	1
9	4030108067	GUARN. COP. SCATOLA BALLAST 16000/M-MA	GASKET GEARBOX COVER - BALLAST 16000/M-MA	n	1
10	4060505018	PROTEZIONE ALBERO GARDA-LEDRA CE	SHAFT GUARD - GARDA-LEDRA CE	n	1
11	5012107009	CUSCINETTO A SFERE 6306	BALL BEARING 6306	n	1
12	5012107011	CUSCINETTO A SFERE 6308	BALL BEARING 6308	n	1
13	5012107012	CUSCINETTO A SFERE 6309	BALL BEARING 6309	n	1
14	5012207003	ANELLO DI COMPENSAZIONE Ø 100 - LMKAS 10	COMPRESSION E THRUST RING Ø 100 - LMKAS 10	n	2
15	4030108070	GUARNIZIONE FLANGIA KPS 550-670	FLANGE GASKET - KPS 550-670	n	2
16	4030108023	GUARN. COPERCHIO ANT. E POST. WPT-KPS	BACK COVER GASKET - WPT-KTS	n	1
17	5030300014	PARAOLIO 40X62X10	OIL SEAL - 40X62X10	n	1
18	5030300045	PARAOLIO 60X75X10 DCP	OIL SEAL - 60X75X10 DCP	n	2
19	5050107103	VITE M 10X50 TCEI 12.9 UNI5931	SCREW - M 10X50 TCEI 12.9 UNI5931	n	12
20	5050107109	VITE M 10X25 TEF - DIN 6921 ISO 8100	SCREW - M 10X25 TEF - DIN 6921 ISO 8100	n	26
21	5050107197	VITE ZINCATA M 6X10 TEF - DIN 6921	GAVANIZED SCREW - M 6X10 TEF - DIN 6921	n	4
22	5060605011	TAPPO CARICO OLIO 3/8" GAS - GARDA -	OIL PLUG - D 3/8" GAS	n	1
23	5060105004	TAPPO LIVELLO OLIO D 3/8" GAS	OIL LEVEL PLUG - D 3/8" GAS	n	1
24	5050300003	DADO AUTOBLOCCANTE M 30X2X25	SELF-LOCKING NUT - M 30X2X25	n	1
25	5050906008	TAPPO D 3/8" GAS - DIN 908 -	PLUG D 3/8" GAS - DIN 908 -	n	1
26	5050202008	RONDELLA D 17X22X1,5 ALLUMINIO	ALUMINIUM WASHER - D 17X22X1,5	n	1
27	5050507028	ANELLO SEEGER D 100 I - DIN 472	CIRCLIP -D 100 I - DIN 472	n	1
28	5050707033	CHIAVETTA 12X8X36	KEY - 12X8X36	n	1
29	4010401074	FLANGIA ANT. POST. BALLAST 16000-KPS	FRONT E BACK FLANGE BALLAST 16000-KPS	n	1
30	5012107067	CUSCINETTO A RULLI NU 309	ROLL BEARING NU 309	n	1
31	5050202007	RONDELLA D 16X20X1,5 ALLUMINIO	ALUMINIUM WASHER - D 16X20X1,5	n	1
32	5050906006	TAPPO D 16x1.5 - DIN 908 -	PLUG - D 16x1.5 - DIN 908 -	n	1
33	4010601187	COPERCHIO POSTERIORE SUPP.POMPA L.A. 1/8"	L.A. PUMP SUPPORT BACK COVER	n	1
34	5050107009	VITE M 8X20 TE - UNI5739	SCREW - M 8X20 TE - UNI5739	n	4
35	5050812005	INGRASSATORE 1/8" GAS	LUBRICATOR - 1/8" GAS	n	1
36	5050903001	TAPPO M 10x1 - DIN 906	PLUG - M 10x1 - DIN 906	n	1
37	5051007029	GRANO M 10X1X30 P.P. UNI 5924	DOWEL M10X1X30 P.P. UNI 5924	n	1
38	4070113283	PALETTA STANDARD MEC/BAL16500 460X67X7,5	STANDARD BLADE - MEC/BALLAST 16500 460X67X7,5	n	6
39	4010501044	COLLETTORE DIVISO C115	MANIFOLD C115	n	1
40	4010007102	CONDOTTO ASPIRAZIONE C115	ASP. MANIFOLD C115	n	1
41	4010406015	FLANGIA PREMICURVA D 100 - STAR	FLANGE FOR ELBOW - D 100	n	2
42	4010601186	COPERCHIO CILINDRO INVERT. BALLAST 16000	REVERSING GEAR COVER - BALLAST 16000	n	1
43	4010701028	CILINDRO INVERTITORE COLLETTORE C115	REVERSING GEAR - MANIFOLD C115	n	1
44	4010801043	MANIGLIA CON ATTACCO QUADRATO	HANDLE	n	1
45	4010901020	CURVA SCAR. ORIENT.MEC 9_13500-STAR D100	REVOLVING ALBOW - D 100	n	2
46	4012007011	MOLLA MEC 9-11-13500	SPRING - MEC 9-11-13500	n	1
47	4030109072	GUARN. COLLETTORE C115	MANIFOLD GASKET C115	n	2
48	4030110034	GUARN. CONDOTTO ASPIRAZ. COLL. DIV. C115	ASP. MANIFOLD GASKET C115	n	1
49	5030210008	ANELLO TENUTA OR 189 STAR UL	SEAL RING - OR 189 STAR UL	n	2
50	5030210083	ANELLO TENUTA D 133.02X2.62 OR3525	SEAL RING - D 133.02X2.62 OR3525	n	1
51	5030300015	PARAOLIO 35X50X7 TC	OIL SEAL - 35X50X7 TC	n	1
52	5050107054	VITE M 10X35 TE - UNI5739	SCREW - M 10X35 TE - UNI5739	n	4
53	5060605005	TAPPO NERO D 1"1/2 GAS	BLACK PLUG - D 1"1/2 GAS	n	1
54	5050107143	VITE M 8X30 TCEI ZINCATA	GALVANIZED SCREW - M 8X30 TCEI	n	6
55	5050207022	RONDELLA D 8X23X4 - DIN 6340	WASHER D 8X23X4 - DIN 6340	n	1
56	5050207031	RONDELLA PER CONO INVERT. MEC 9-11-13500	TEFLON WASHER REV. GEAR. MEC 9-11-13500	n	1
57	5050812001	INGRASSATORE M 10X1	LUBRICATOR - M 10X1	n	2
58	5050903003	TAPPO D 1/8" - DIN 906	PLUG - D 1/8" - DIN 906	n	2
60	5060605006	TAPPO NERO D 2" GAS	BLACK PLUG - D 2" GAS	n	1

CODE	ARTICLE	DESCRIZIONE	DESCRIPTION	Q.TY	UM
61	5050207003	RONDELLA D 8	WASHER D 8	n	4
62	4011907123	PERNO ANTERIORE BALLAST 16000/P 6P	FRONT PIN - BALLAST 16000/P 6P	n	1
63	5050707016	CHIAVETTA 12X8X80	KEY - 12X8X80	n	1
64	5030300031	PARAOILIO 45X62X10	OIL SEAL - 45X62X10	n	1
65	4010601133	COPERCHIO ANTERIORE WPT-KPS/P-D	FRONT COVER - WPT-KPS/P-D	n	1
66	5050507012	ANELLO SEEGER D 45 E	CIRCLIP - D 45 E	n	1
67	4011907118	PERNO ANTERIORE BALLAST 16000/D 6P	FRONT PIN BALLAST 16000/D - 6P	n	1
68	4011907119	PERNO ANTERIORE BALLAST 16000/H 6P	FRONT PIN BALLAST 16000/H - 6P	n	1
69	5050707028	CHIAVETTA 12X8X50	KEY - 12X8X50	n	1
70	6080200059	MOTORE IDRAULICO KM 30,73 SO GR. 3,5 COMPL.	HYDRAULIC MOTOR - KM 30,73	n	1
71	4011001087	SUPPORTO MOTORE IDRAULICO WPT/H GR. 3,5	HYDRAULIC MOTOR SUPPORT - WPT/H GR. 3,5	n	1
72	4020107033	MANICOTTO TRASM. MOT. IDR. STAR/WPT GR. 3,5	HYDRAULIC MOTOR TRANS. COUPLING STAR/WPT GR. 3,5	n	1
73	4030108046	GUARNIZIONE SUPPORTO MOT. IDR. GR. 3-3,5	HYDRAULIC MOTOR SUPPORT GASKET - G.3-3,5	n	1
74	5030300016	PARAOILIO 65X85X10	OIL SEAL - 65X85X10	n	1
75	5050107123	VITE M8X25 TE - 10.9 - UNI 5739	SCREW - M8X25 TE - 10.9 - UNI 5739	n	4
76	5050207034	RONDELLA DI SICUREZZA D 10 NORD-LOCK	NORD-LOCK WASHER - D 10	n	1
77	5050107021	VITE M10X30 TE - UNI 5739	SCREW - M10X30 TE - UNI 5739	n	1
78	4010301033	SCATOLA MOLT. BALLAST 16000/K-KA	GEARBOX - BALLAST 16000/K-KA	n	1
79	4030108021	GUARNIZIONE COPERCHIO SCATOLA MOLT. STAR/K-KA	GEARBOX COVER GASKET - STAR/K-KA	n	1
80/A	4010601119	COPERCHIO SCATOLA MOLT. STAR/K G.2-3 CE	GEARBOX COVER - STAR/K G.2-3 CE	n	1
80/B	4010601147	COPERCHIO SCATOLA MOLT. STAR/KA G.2-3 CE	GEARBOX COVER - STAR/KA G.2-3 CE	n	1
81	4030110023	GUARN. SUPPORTO POMPA IDR. G.2-3	HYDR. PUMP SUPPORT GASKET - G.2-3	n	1
82/A	6080200128	SUPPORTO POMPA IDRAULICA STAR G.2	HYDRAULIC PUMP SUPPORT - STAR G.2	n	1
82/B	6080200129	SUPPORTO POMPA IDRAULICA STAR G.3	HYDRAULIC PUMP SUPPORT - STAR G.3	n	1
83	5050107050	VITE M 10X90 TCEI	SCREW M 10X90 TCEI	n	4
84	5050107108	VITE M 8X25 TEF - DIN 6921 ISO 8100	SCREW M 8X25 TEF - DIN 6921 ISO 8100	n	6
85	5050107016	VITE M 8X25 TCEI	SCREW M 8X25 TCEI	n	8
86/A	4020507005	ING. CON ALBERO STAR/K Z52 - M2,5	GEAR WHIT SHAFT - STAR/K Z52 - M2,5	n	1
86/B	4020507009	ING. CON ALBERO STAR/KA Z44 - M2,5	GEAR WHIT SHAFT - STAR/KA Z44 - M2,5	n	1
87/A	4020607040	PIGNONE STAR/K Z26 - M2,5	STAR/K PINION Z26 - M2,5	n	1
87/B	4020607041	PIGNONE STAR/KA Z34 - M2,5	STAR/KA PINION Z34 - M2,5	n	1
88	5050300005	DADO AUTOBLOCCANTE M 30X2X19	SELF-LOCKING NUT - M 30X2X19	n	1
89/A	4020607045	PIGNONE DEC. GARDA WPT/G Z45 - M3 12MM	GARDA PINION - Z45 - M3 WPT/G 12MM	n	1
89/B	4020607042	PIGNONE DEC. GARDA WPT/GA Z56 - M3 12MM	GARDA PINION - Z56 - M3 WPT/GA 12MM	n	1
90	4011707116	DISTANZIALE BALL. 16000 PERNO G/GA 1 LEVA	SPACER BALLAST 16000 PIN G-GA 1 LEVER	n	1
91	5030210050	ANELLO TENUTA OR 4775 NBR	SEAL RING - OR 4775 NBR	n	1
92	5050107026	VITE M 10X25 TCEI	SCREW - M 10X25 TCEI	n	8
93/A	4010401079	FLANGIA SUPPORTO DEC. BALLAST 16000/G	PUMP SUPP. FLANGE BALLAST 16000/G	n	1
93/B	4010401075	FLANGIA SUPPORTO DEC. BALLAST 16000/GA	PUMP SUPP. FLANGE BALLAST 16000/GA	n	1
94	4011907120	PERNO ANTERIORE BALLAST 16000 G/GA - 6P	FRONT PIN BALLAST 16000 G/GA - 6P	n	1
95	4011907122	PERNO ANTERIORE BALLAST 16000/GA 2 LEVE- 6P	FRONT PIN BALLAST 16000/GA TWO LEVERS - 6P	n	1
96	5050707009	CHIAVETTA 10X8X50	KEY - 10X8X50	n	1
97	4011707115	DISTANZIALE BALL. 16000 PERNO G/GA 2 LEVA	SPACER BALLAST 16000 PIN G-GA 2 LEVERS	n	1
98	4020807027	RUOTA DENTATA GARDA EVO Z56 - M3	GARDA EVO GEAR Z56 - M3	n	1
99	4020107034	MOZZO SCORREVOLE GARDA EVO	SLIDING SLEEVE - GARDA EVO	n	1
100	4020907069	ALBERO CONVERSIONE GARDA EVO 2 LEVE	TWO LEVERS SPLINED SLEEVE - GARDA EVO	n	1
101	5050507029	ANELLO SEEGER D 55 E - DIN 471	CIRCLIP - D 55 E - DIN 471	n	1
102	4011707055	RONDELLA BLOCCAGGIO CALETTATO GARDA TS	SPLINED SMOOTH WASHER - GARDA EVO	n	1
103	4011406012	SERBATOIO OLIO STAMPATO	OIL TANK	n	1
104	4011707113	INSERTO OTTONE SERBATOIO PLASTICA	INSERT BRASS OIL TANK	n	2
105	4011707112	DISTANZIALE SERBATOIO PLASTICA	SPACER FOR PLASTIC TANK	n	2
106	4060310005	RONDELLA IN GOMMA D. 25,9X15X3	RUBBER WASHER D 25,9X15X3	n	2
107	5050207038	RONDELLA D 10X25X1,5 - UNI 1739	WASHER D 10X25X1,5 - UNI 1739	n	2
108	5050107106	VITE ZINCATA M 10X100 TE	GALVANIZED SCREW M 10X100 TE	n	4
109	5080005001	FILTRO OLIO	OIL FILTER	n	1
110	5050202005	RONDELLA D 18X24X1.5 ALLUMINIO	ALUMINIUM WASHER D 18X24X1,5	n	1
111	4040407001	RIDUZIONE PORTAFILTRO WPT LA	FILTER REDUCTION - WPT L.A.	n	1
112	5050202003	RONDELLA D 1/4" GAS ALLUMINIO	ALUMINIUM WASHER D 1/4" GAS	n	1
113	5040200001	RUBINETTO SERBATOIO OLIO D 1/4" GAS	OIL TANK DRAIN COCK D 1/4" GAS	n	1

CODE	ARTICLE	DESCRIZIONE	DESCRIPTION	Q.TY	UM
114	5040303007	RACCORDO D 1/8"X6X90° RILSAN	RILSAN CONNECTOR - D 1/8"X6X90°	n	2
115	5080105003	TUBO LUBRIFICAZIONE D 4X6 - TEFLON	SUCTION HOSE D 4X6 - TEFLON	m	0,5
116	4010006002	GIUNTO DI COLLEGAMENTO L.F.	CONNECTOR JOINT - L.F.	n	2
117	4030108011	GUARN. POMPA OLIO L.A.	OIL PUMP GASKET - L.A.	n	1
118/DX	5080200036	POMPA L.A. 2 MAND. AL DX IIS	OIL PUMP - L.A. 2 WAYS AL DX IIS	n	1
118/SX	5080200038	POMPA L.A. 2 MAND. AL SX IIS	OIL PUMP - L.A. 2 WAYS AL SX IIS	n	1
119	5040303008	RACCORDO D 1/8"X4X90° RILSAN	CONNECTOR D 1/8"X4X90° RILSAN	n	2
120	5040303009	RACCORDO DRITTO M 5X4 RILSAN	CONNECTOR M 5X4 RILSAN	n	2
121	4060505060	PROTEZIONE POMPA LA BALLAST 16000-FAN	AUTOMATIC LUBRIC. PUMP GUARD - BALLAST 16000-FA	n	1
122/B	6010201108	REBUILD KIT BALLAST 16500	REBUILD KIT BALLAST 16500	n	1
123	5060605014	TAPPO CARICO OLIO D 1" GAS	CHARGE OIL PLUG D 1" GAS	n	1
124	5040407001	RIDUZIONE D 1/4"X1/8" GAS	REDUCTION D 1/4"X1/8" GAS	n	1
125	5050207002	RONDELLA D 6 - UNI 6592	WASHER D 6 - UNI 6592	n	2
126	5050107008	VITE M 6X16 TCEI	SCREW - M 6X16 TCEI	n	6
127	5080105004	TUBO LUBRIFICAZIONE D 2X4 - TEFLON	SUCTION HOSE D 2X4 - TEFLON	m	0,8
128	5080105004	TUBO LUBRIFICAZIONE D 2X4 - TEFLON	SUCTION HOSE D 2X4 - TEFLON	m	0,6
129	5040200005	SPIA DI CONTROLLO WPT/STAR	CHECK LIGHT WPT/STAR	n	2
130	5080005004	FILTRO ARIA VALV. UNID. 3/4"	AIR FILTER - ONE WAY VALVE 3/4"	n	3
131	5040303030	VALVOLA UNIDIREZIONALE 3/4" BALLAST	UNIDIRECTIONAL VALVE 3/4" - BALLAST	n	3
132	4010007057	CONDOTTO BALLAST 11000-13500	DUCT BALLAST 11000-13500	n	1
133	4030110028	GUARNIZIONE CONDOTTO BALLAST 11000-13500	GASKET DUCT BALLAST 11000-13500	n	1
134	5050300016	DADO AUTOBLOCCANTE M 10X1,5 VERGAL	SELF-LOCKING NUT M 10X1,5 VERGAL	n	1
135	5050207008	RONDELLA TRANCIATA Ø 10X40	BLANK WASHER Ø 10X40	n	1
136	4012007015	MOLLA PIATTELLO BALLAST	SPRING FOR VALVE BALLAST	n	1
137	4011707114	GIUDA PIATTELLO BALLAST	GUIDE FOR VALVE BALLAST	n	1
138	4010401082	FLANGIA SUPPORTO PIATTELLO BALLAST 9-13500	FLANGE SUPPORT CHECK VELVE - BALLAST 9-13500	n	1
139	4010006026	PIATTELLO COMPLETO BALLAST 16000	POPPET VALVE - BALLAST 16000	n	1
140	4060310001	PASSATUBO CHIUSO	CLOSED TUBE-PASS	n	1



Battioni®
Pagani

Setting the pace since 1953

0	01.05.2021	1° EMISSIONE	PROG	R DT	AM
REV.	DATA	MOTIVO	PREPARATO	APPROVATO	AUTORIZZATO



Battioni®
Pagani

Setting the pace since 1953

Via Cav. Enzo Ferrari, 2
43058 Ramoscello di Sorbolo (PR) - Italy

Ph. +39 0521 663203

Fax +39 0521 663206



www.bapag.it
info@bapag.it