

## Catalogo generale ricambi

General spare parts catalogue

Catalogue générale des pièces de rechange

Ersatzteile-katalog

Catálogo de piezas



**Battioni®**  
**Pagani**

*Setting the pace since 1953*

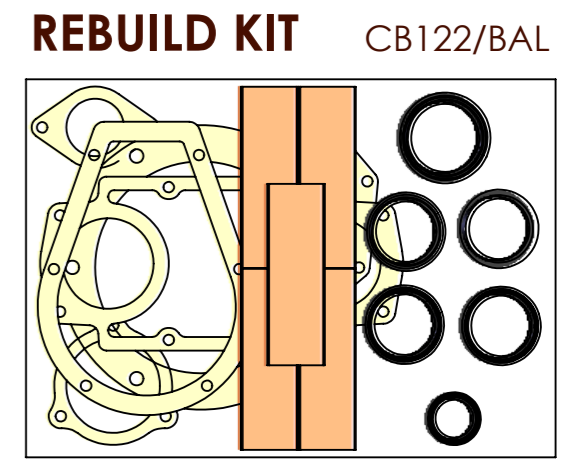
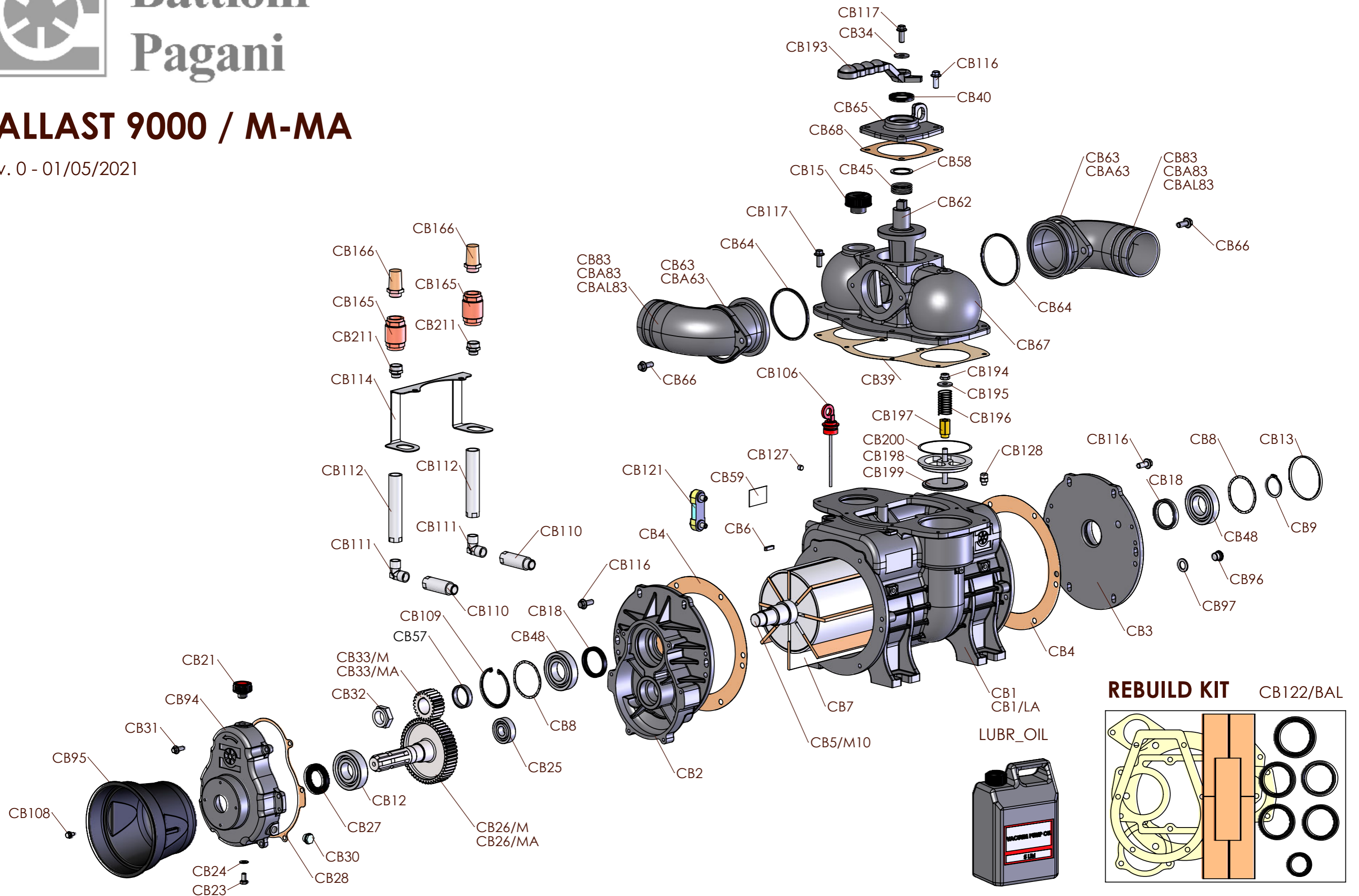
# 2021



# Battioni® Pagani

## BALLAST 9000 / M-MA

Rev. 0 - 01/05/2021

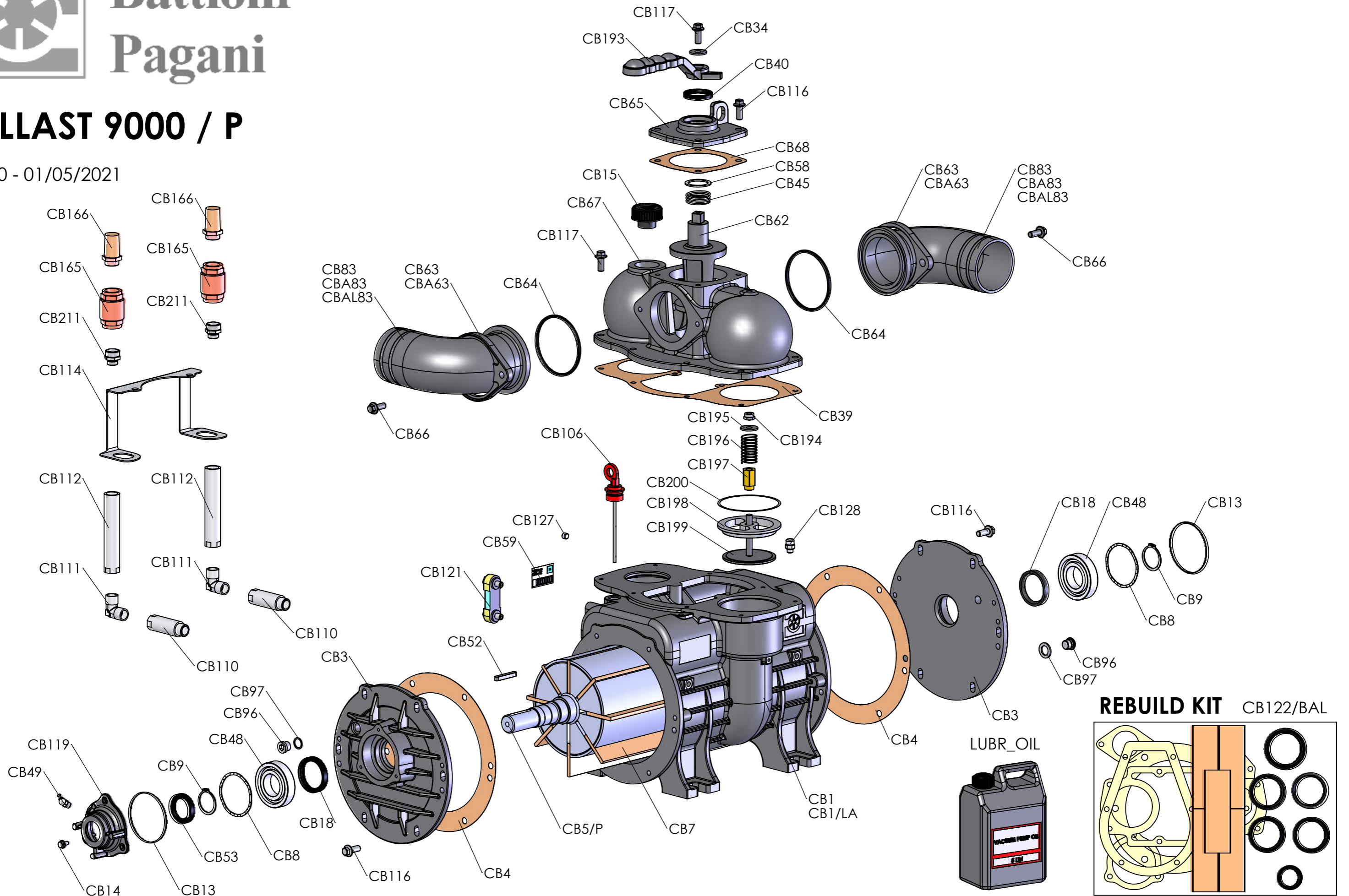




# Battioni® Pagani

## BALLAST 9000 / P

Rev. 0 - 01/05/2021













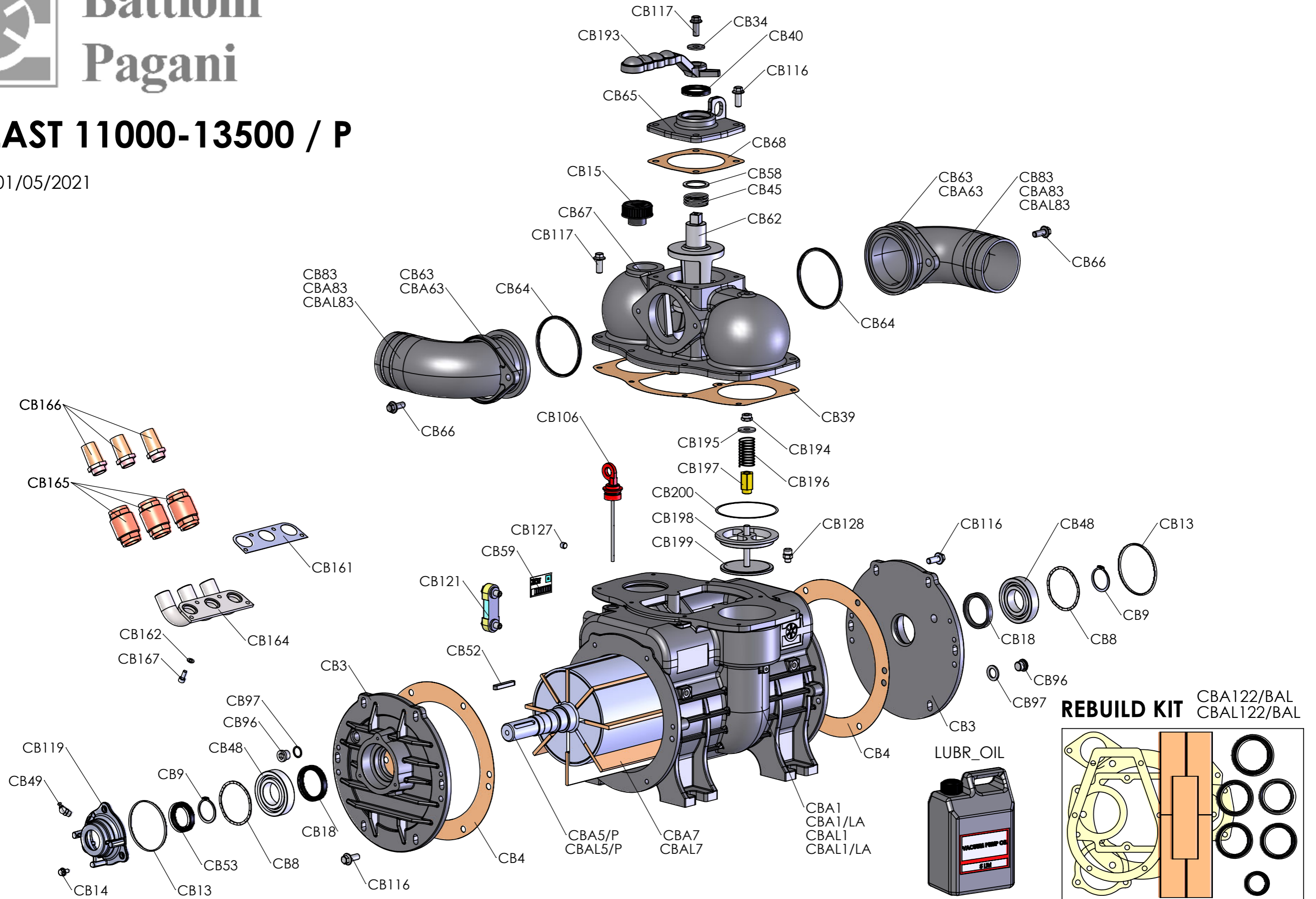




**Battioni®**  
**Pagani**

# BALLAST 11000-13500 / P

Rev. 0 - 01/05/2021

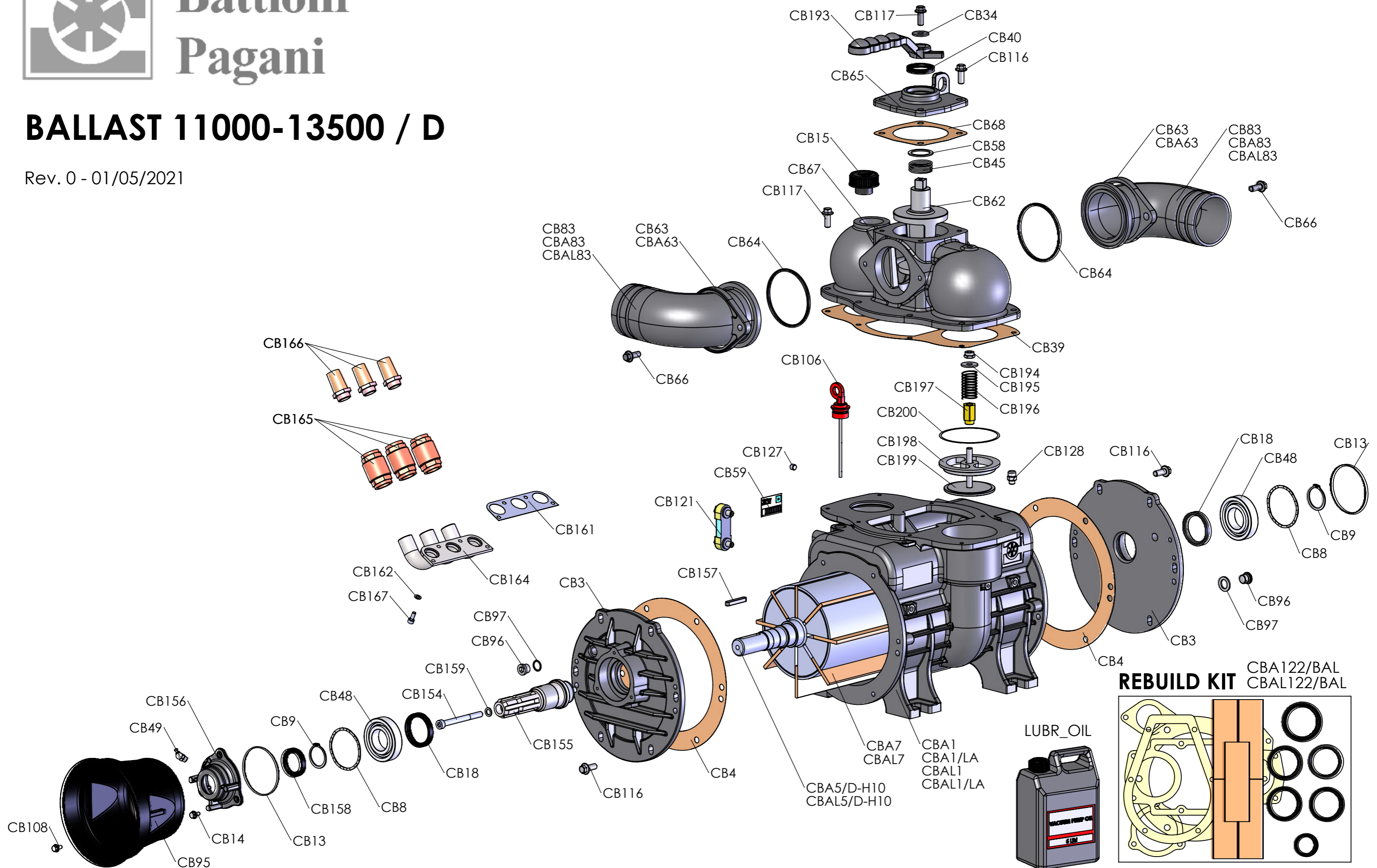




**Battioni®**  
**Pagani**

# BALLAST 11000-13500 / D

Rev. 0 - 01/05/2021

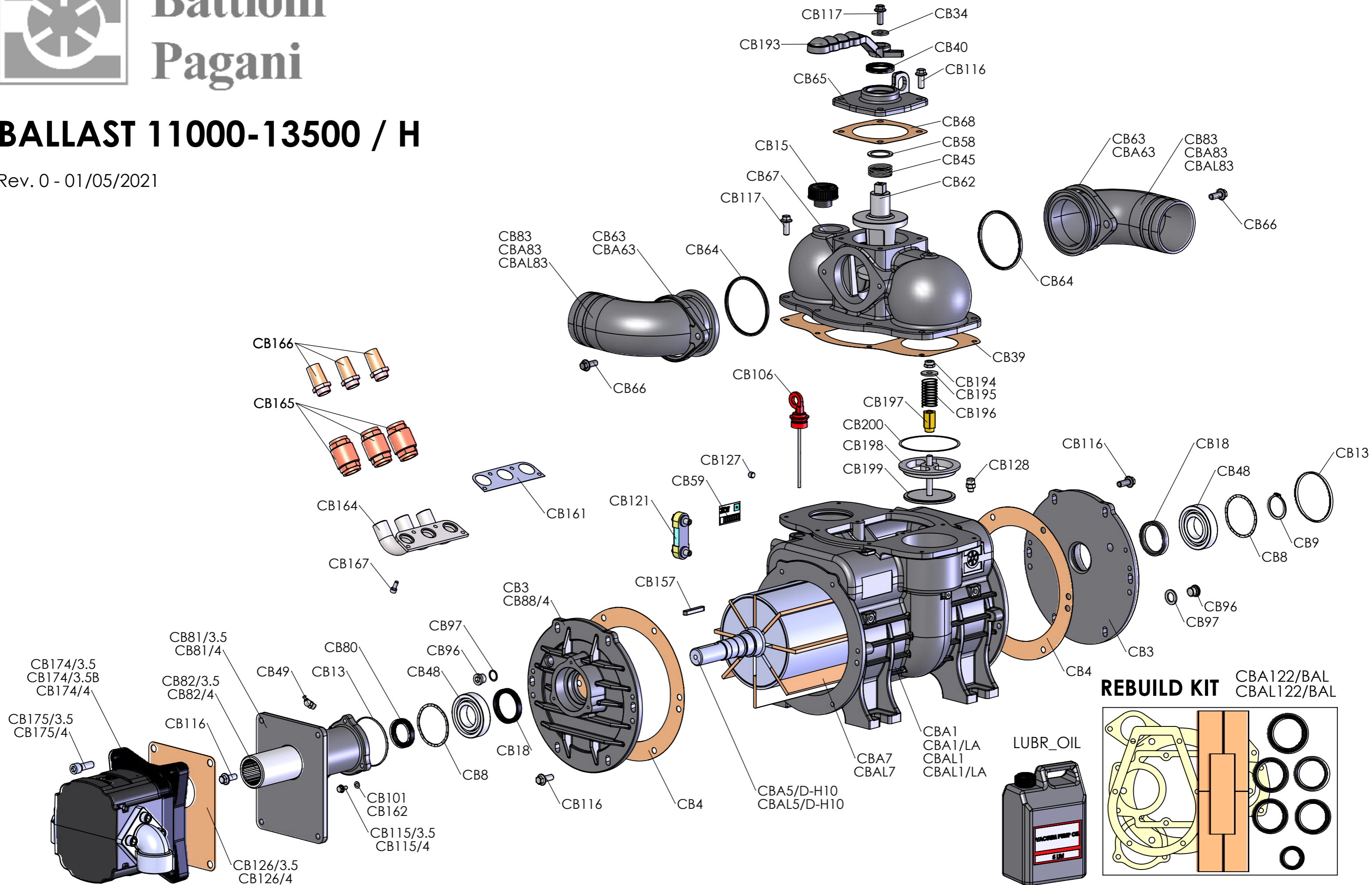




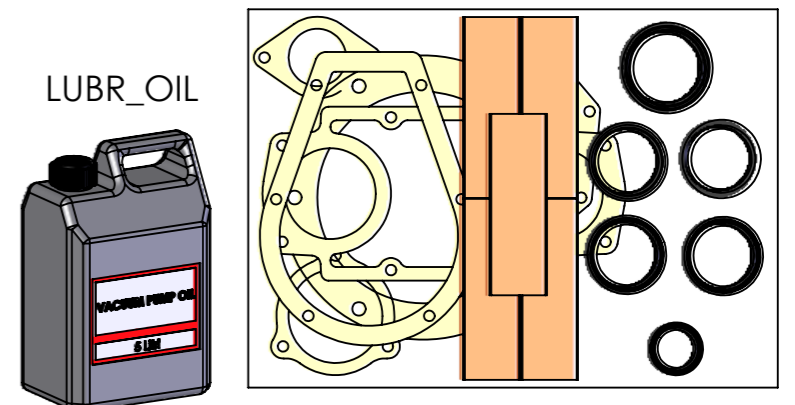
**Battioni®**  
**Pagani**

# BALLAST 11000-13500 / H

Rev. 0 - 01/05/2021



**REBUILD KIT** CBA122/BAL  
CBAL122/BAL

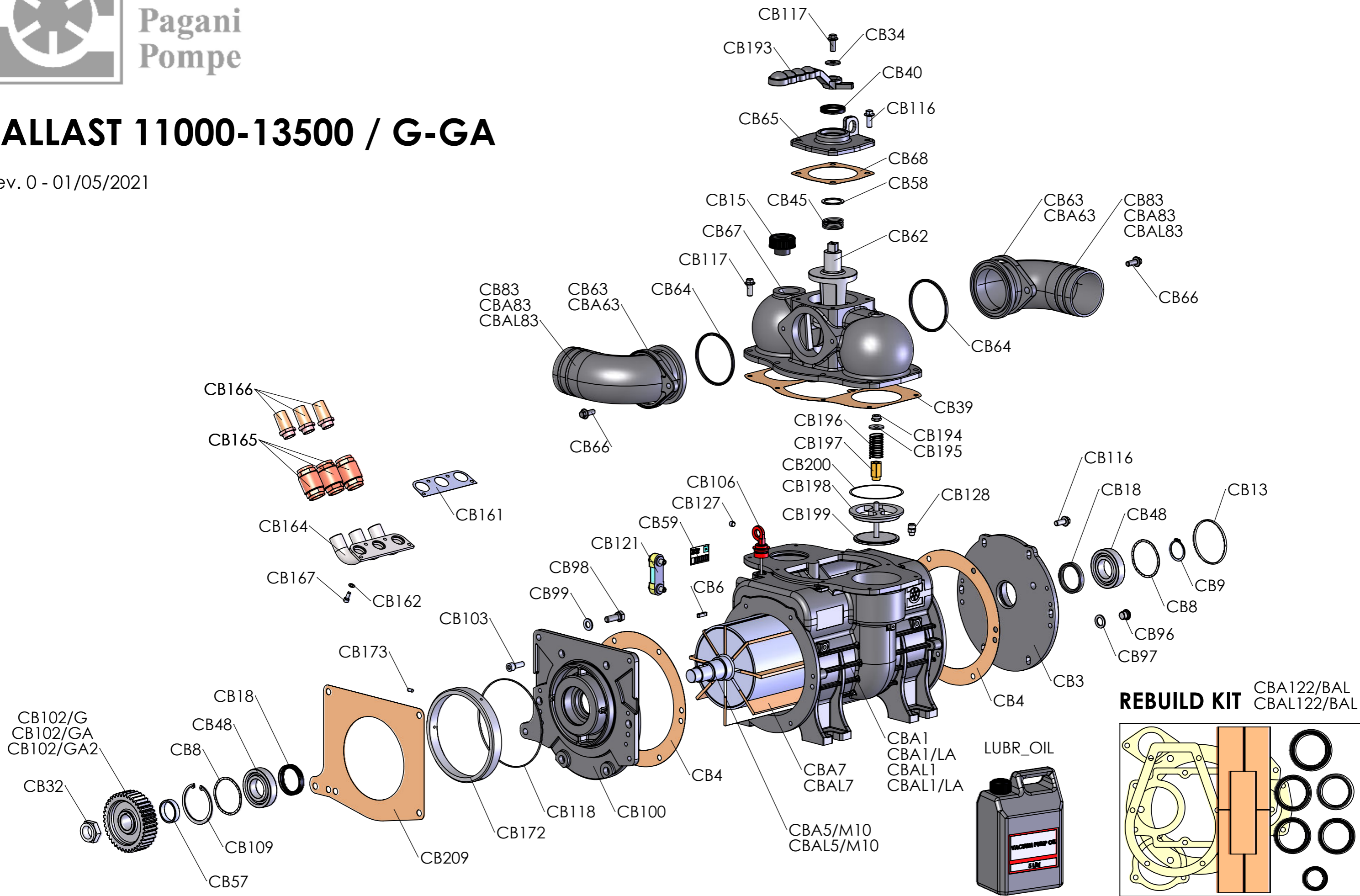




**Battioni®  
Pagani  
Pompe**

# BALLAST 11000-13500 / G-GA

Rev. 0 - 01/05/2021

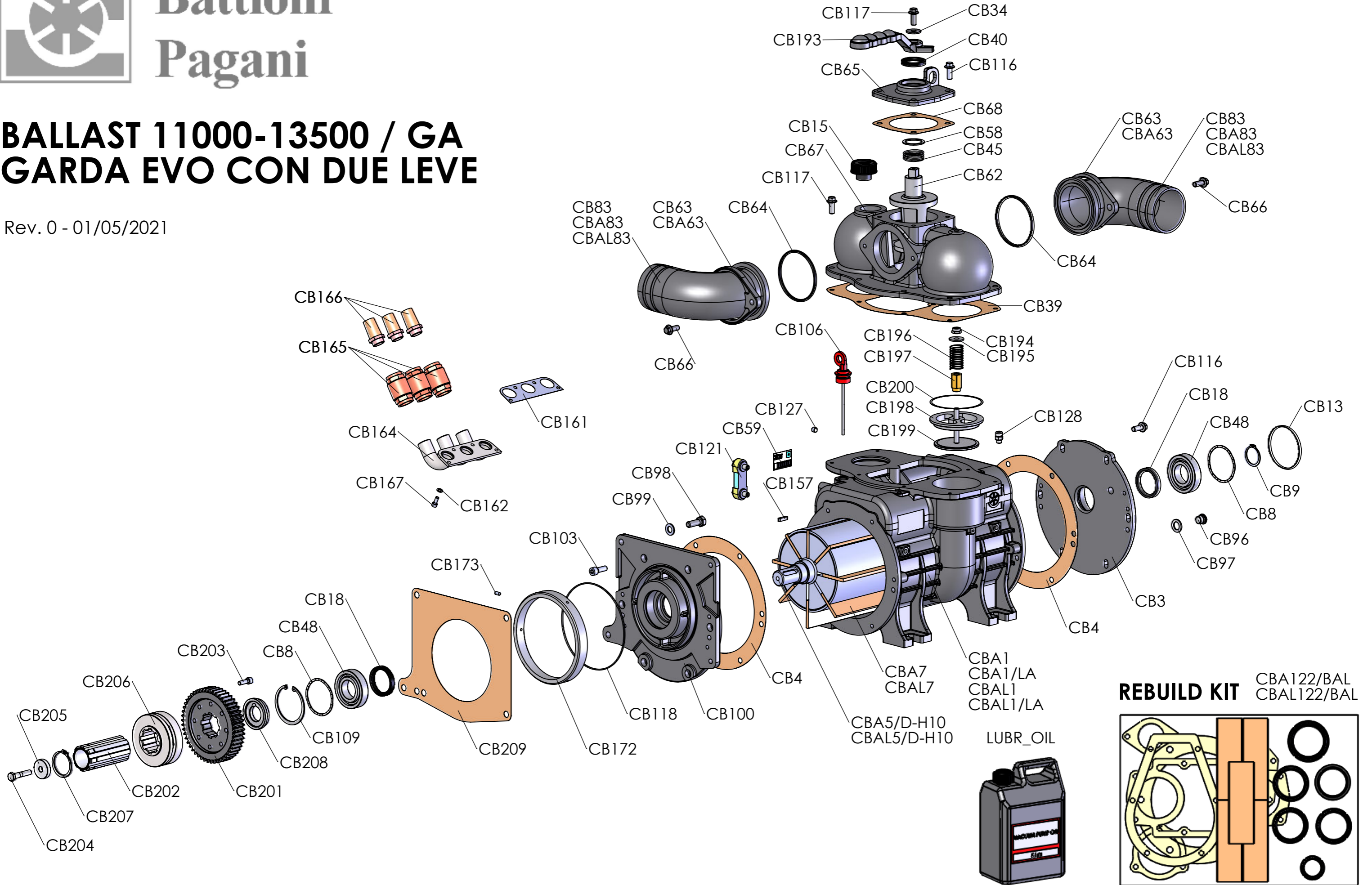




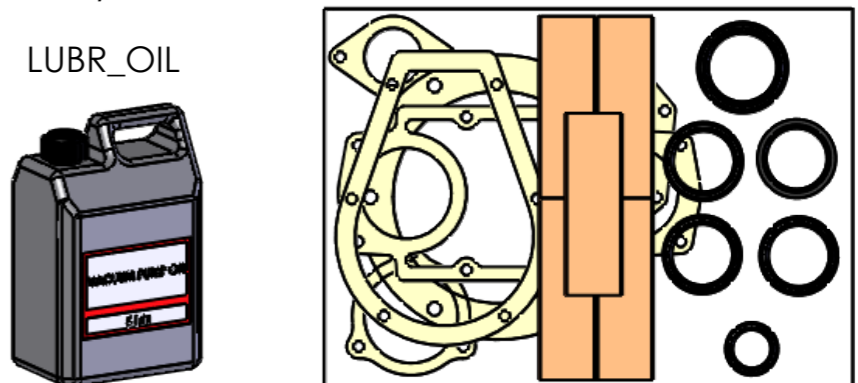
**Battioni®**  
**Pagani**

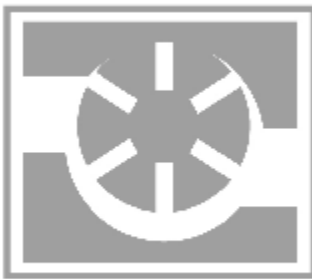
# BALLAST 11000-13500 / GA GARDA EVO CON DUE LEVE

Rev. 0 - 01/05/2021



**REBUILD KIT** CBA122/BAL  
CBAL122/BAL

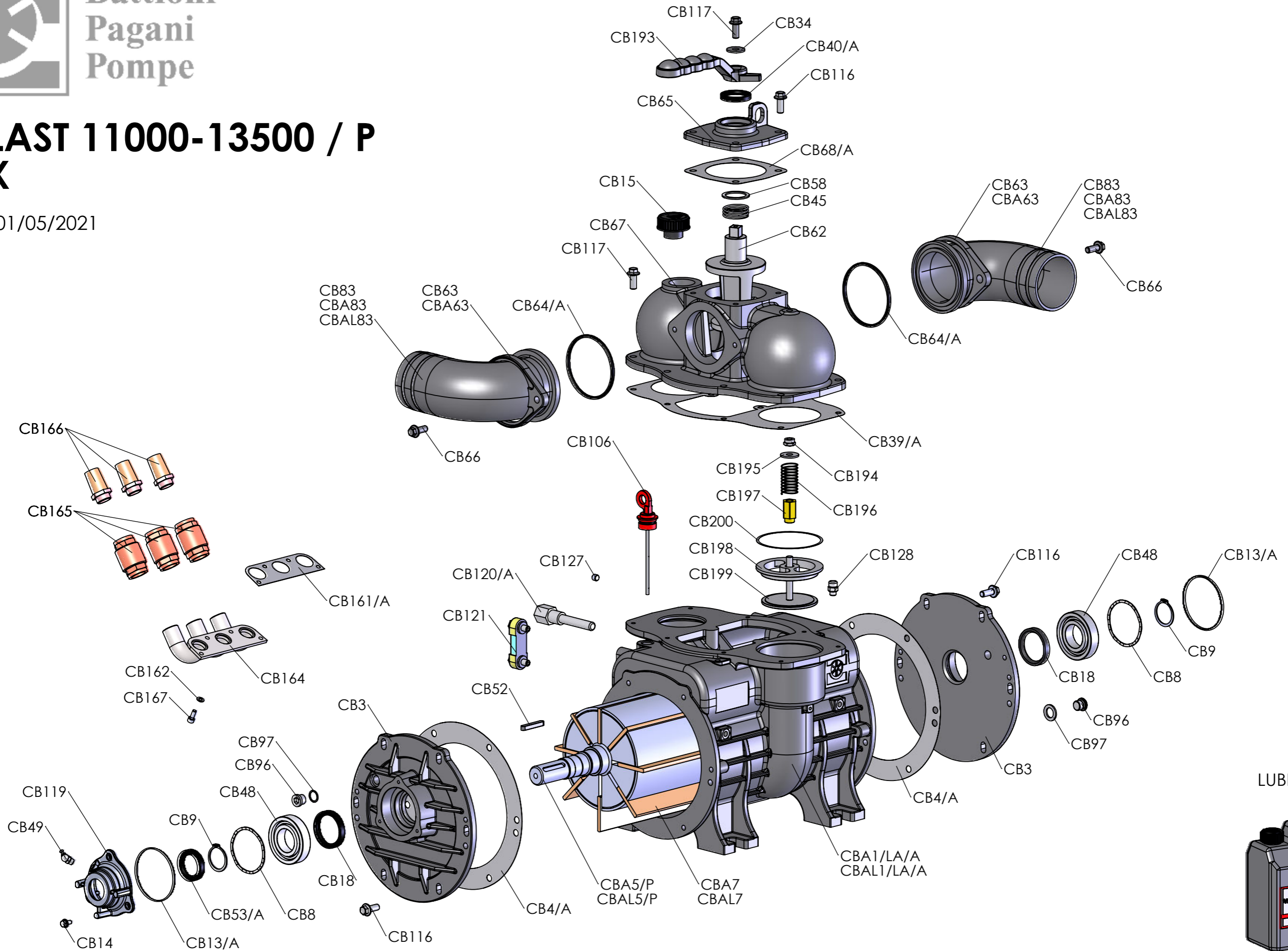




**Battioni®  
Pagani  
Pompe**

# BALLAST 11000-13500 / P ATEX

Rev. 0 - 01/05/2021



LUBR\_OIL

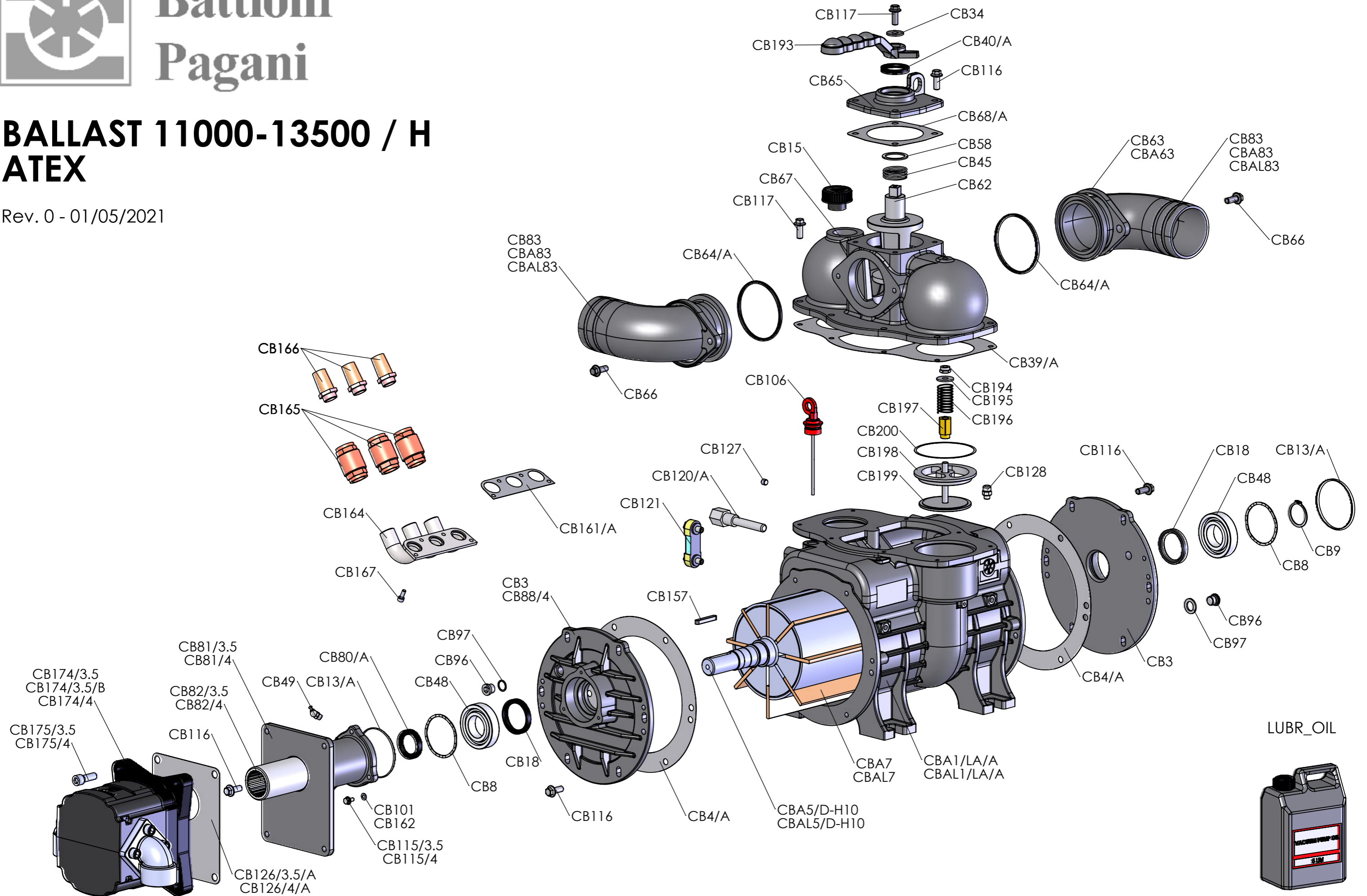




# Battioni® Pagani

## BALLAST 11000-13500 / H ATEX

Rev. 0 - 01/05/2021



LUBR\_OIL



CODE	ARTICLE	DESCRIZIONE	DESCRIPTION	Q.TY	UM
CB1	4010101102	CORPO POMPA BALLAST 9000 LF	HOUSING - BALLAST 9000 LF	1	n
CB1/LA	4010101103	CORPO POMPA BALLAST 9000 LA	HOUSING - BALLAST 9000 LA	1	n
CBA1	4010101130	CORPO POMPA BALLAST 11000 LF	HOUSING - BALLAST 11000 LF	1	n
CBA1/LA	4010101131	CORPO POMPA BALLAST 11000 LA	HOUSING - BALLAST 11000 LA	1	n
CBA1/LA/A	4010101190	CORPO POMPA BALLAST 11000 LA . ATEX	HOUSING - BALLAST 11000 LA - ATEX	1	n
CBAL1	4010101132	CORPO POMPA BALLAST 13500 LF	HOUSING - BALLAST 13500 LF	1	n
CBAL1/LA	4010101133	CORPO POMPA BALLAST 13500 LA	HOUSING - BALLAST 13500 LA	1	n
CBAL1/LA/A	4010101192	CORPO POMPA BALLAST 13500 LA - ATEX	HOUSING - BALLAST 13500 LA - ATEX	1	n
CB2	4010301028	SCATOLA MOLT. MEC 9000-11000-13500/M	GEARBOX - MEC 9000-11000-13500/M	1	n
CB3	4010401061	FLANGIA ANT. POST. MEC 9000-11000-13500	FRONT & BACK FLANGE MEC 9000-11000-13500	1	n
CB4	4030108048	GUARN. FLANGIA MEC 9-11-13500	BODY GASKET MEC 9-11-13500	2	n
CB4/A	4030108058	GUARN. FLANGIA MEC 9-11-13500 - ATEX	BODY GASKET MEC 9-11-13500 - ATEX	2	n
CB5/M10	4010220178	ROTORE BALLAST 9000/M CH.10	ROTOR - BALLAST 9000/M KEY 10	1	n
CBA5/M10	4010220179	ROTORE BALLAST 11000/M CH.10	ROTOR - BALLAST 11000/M KEY 10	1	n
CBAL5/M10	4010220180	ROTORE BALLAST 13500/M CH.10	ROTOR - BALLAST 13500/M KEY 10	1	n
CB5/P	4010220156	ROTORE BALLAST 9000/P	ROTOR - BALLAST 9000/P	1	n
CBA5/P	4010220157	ROTORE BALLAST 11000/P	ROTOR - BALLAST 11000/P	1	n
CBAL5/P	4010220158	ROTORE BALLAST 13500/P	ROTOR - BALLAST 13500/P	1	n
CB5/D-H10	4010220172	ROTORE BALLAST 9000/D CH.10	ROTOR - BALLAST 9000/D KEY 10	1	n
CBA5/D-H10	4010220173	ROTORE BALLAST 11000/D CH.10	ROTOR - BALLAST 11000/D KEY 10	1	n
CBAL5/D-H10	4010220174	ROTORE BALLAST 13500/D CH.10	ROTOR - BALLAST 13500/D KEY 10	1	n
CB6	5050707032	CHIAVETTA 10X8X25	KEY10X8X25	1	n
CB7	4070113192	PALETTA LONG LIFE MEC 9000 300X60X6,5	LONG LIFE BLADE MEC 9000 300X60X6,5	8	n
CBA7	4070113193	PALETTA LONG LIFE MEC 11000 370X60X6,5	LONG LIFE BLADE MEC 11000 370X60X6,5	8	n
CBAL7	4070113194	PALETTA LONG LIFE MEC 13500 460X60X6,5	LONG LIFE BLADE MEC 13500 460X60X6,5	8	n
CB8	5012207001	ANELLO DI COMPENSAZIONE Ø 80	COMPRESSION & THRUST RING D80	2	n
CB9	5050507017	ANELLO SEEGER D 40 E - DIN 471 -	CIRCLIP - D 40 E	1	n
CB12	5012107010	CUSCINETTO A SFERE 6307	BALL BEARING - 6307	1	n
CB13	5030210028	ANELLO TENUTA OR 2337-85.34X1.78POMPA LF	SEAL RING - OR 2337 LF PUMP	2	n
CB13/A	5030210094	ANELLO TENUTA OR 2337-85.34X1.78 - FKM	SEAL RING - OR 2337 - FKM	2	n
CB14	5050107005	VITE M 6X16 TE	SCREW - M 6X16 TE	5	n
CB15	5060605006	TAPPO NERO D 2" GAS	BLACK PLUG - D 2" GAS	1	n
CB18	5030300042	PARAOLIO 48X62X10 DCV - FKM	OIL SEAL - 48X62X10 DCV - FKM	2	n
CB21	5060605001	TAPPO CARICO OLIO D 3/8" GAS	OIL PLUG - D 3/8" GAS	1	n
CB23	5050107018	VITE M 10X16 TE	SCREW - M 10X16 TE	1	n
CB24	5050202002	RONDELLA D 10X16X1,5 ALLUMINIO	ALUMINIUM WASHER - D 10X16X1,5	4	n
CB25	5012107006	CUSCINETTO A SFERE 6304	BALL BEARING - 6304	1	n
CB26/M	4020507003	INGR. CON ALBERO MEC 6,5-8000 Z53-M2,5	GEAR WITH SHAFT - Z53-M2,5 MEC 6,5-8000	1	n
CB26/MA	4020507012	INGR. CON ALBERO MEC9-13500/MA Z43-M2,5	GEAR WITH SHAFT MEC9-13500/MA Z43-M2,5	1	n
CB27	5030300005	PARAOLIO 35X62X10	OIL SEAL - 35X62X10	1	n
CB28	4030108049	GUARN. COPERCHIO MOLT. MEC 9-11-13500	GEARBOX COVER GASKET MEC 9-11-13500	1	n
CB30	5060105004	TAPPO LIVELLO OLIO D 3/8" GAS	OIL LEVEL PLUG - D 3/8" GAS	1	n
CB31	5050107168	VITE M 8X40 TEF	SCREW - M 8X40 TEF	6	n
CB32	5050300002	DADO AUTOBLOCCANTE M 27X2X16	SELF-LOCKING NUT - M 27X2X16	1	n
CB33/M	4020607059	PIGNONE MEC 9-11-13500/M Z23-M2,5	PINION MEC 9-11-13500/M Z23-M2,5	1	n
CB33/MA	4020607057	PIGNONE MEC 9-11-13500/MA Z33-M2,5	PINION MEC 9-11-13500/MA Z33-M2,5	1	n
CB34	5050207032	RONDELLA D10X28X4 - DIN 6340	WASHER - D 10X28X4 - DIN 6340	1	n
CB39	4030109035	GUARN. COLLETTORE MEC 9-11-13500	MANIFOLD GASKET MEC 9-11-13500	1	n
CB39/A	4030109038	GUARN. COLLETTORE MEC 9-11-13500 - ATEX	MANIFOLD GASKET MEC 9-11-13500 - ATEX	1	n
CB40	5030300015	PARAOLIO 35X50X7 TC	OIL SEAL - 35X50X7	1	n
CB40/A	5030300053	PARAOLIO 35X50X7 TC-FKM	OIL SEAL - 35X50X7 TC-FKM	1	n
CB45	4012007011	MOLLA MEC 9-11-13500	SPRING - MEC 9-11-13500	1	n
CB48	5012107004	CUSCINETTO A SFERE 6208	BALL BEARING - 6208	2	n
CB49	5050812001	INGRASSATORE M 10X1	LUBRICATOR - M 10X1	1	n
CB52	5050707009	CHIAVETTA 10X8X50	KEY -10X8X50	1	n
CB53	5030300002	PARAOLIO 35X52X10	OIL SEAL - 35X52X10	1	n
CB53/A	5030300054	PARAOLIO 35X52X10 - FKM	OIL SEAL - 35X52X10 - FKM	1	n
CB57	4011707067	DISTANZIALE ROTORE MEC 9-11-13500 M-G	SPACER ROTOR M MEC 9000-11000-13500	1	n



CODE	ARTICLE	DESCRIZIONE	DESCRIPTION	Q.TY	UM
CB58	5050207031	RONDELLA PER CONO INVERT. MEC 9-11-13500	TEFLON WASHER REV.GEAR MEC 9-11-13500	1	n
CB59	5101800000	THERMO LABEL	THERMO LABEL	1	n
CB62	4010701018	CONO INVERTITORE MEC 9000-11000-13500	REVERSING GEAR MEC 9-13500	1	n
CB63	4010406017	FLANGIA PREMICURVA D 80 - SE/STAR	FLANGE FOR ELBOW - STAR D80	2	n
CBA63	4010406015	FLANGIA PREMICURVA D 100 - SE/STAR	FLANGE FOR ELBOW - STAR D100	2	n
CB64	5030210008	ANELLO TENUTA OR 189 STAR UL	SEAL RING - OR 189 STAR UL	2	n
CB64/A	5030210095	ANELLO TENUTA OR 189 STAR UL-FKM	SEAL RING - OR 189 STAR UL-FKM	2	n
CB65	4010601056	COPERCHIO COLL.MEC 9_13500-STAR-WPT/UL	MANIFOLD COVER - MEC 9_13500-STAR-WPT/UL	1	n
CB66	5050107054	VITE M 10X35 TE	SCREW - M 10X35 TE	2	n
CB67	4010501026	COLLETTORE MEC 9000-11000-13500	MANIFOLD MEC 9000-11000-13500	1	n
CB68	4030109025	GUARN. COP.COLL. MEC 9_13500-STAR-WPT/UL	MANIFOLD COVER GASK-MEC 9_13500-STAR-WPT	1	n
CB68/A	4030109039	GUARN. COP.COLL. MEC 9_13500-STAR-WPT/UL - ATEX	MANIFOLD COVER GASK-MEC 9_13500-STAR-WPT - ATE	1	n
CB80	5030300013	PARAOLIO 55X68X8	OIL SEAL - 55X68X8	1	n
CB80/A	5030300056	PARAOLIO 55X68X8 - FKM	OIL SEAL - 55X68X8 - FKM	1	n
CB81/3,5	4011001016	SUPPORTO MOTORE IDR.MEC 2-13500/H GR.3,5	HYDR. MOT. SUPPORT - MEC 2-8000/H GR.3,5	1	n
CB81/4	4011001059	SUPPORTO MOTORE IDR. MEC9-11-13500/H GR4	HYDRAULIC MOTOR SUPP MEC9-11-13500/H GR4	1	n
CB82/3,5	4020107027	MANICOTTO TRASM. MOT. IDR.MEC 9000 GR3,5	HYDR.MOTOR TRANSM.COUPLING MEC9000 GR3	1	n
CB82/4	4020107024	MANICOTTO TRASM. MOT. IDR.MEC9-13500 GR4	HYDR.MOTOR TRANSM.COUPLING MEC9-11-13500	1	n
CB83	4010901018	CURVA SCAR. ORIENT.MEC 9_13500-STAR D 76	REVOLVING ELBOW - MEC 9_13500-STAR D 76	2	n
CBA83	4010901019	CURVA SCAR. ORIENT.MEC 9_13500-STAR D 80	REVOLVING ELBOW - MEC 9_13500-STAR D 80	2	n
CBAL83	4010901020	CURVA SCAR. ORIENT.MEC 9_13500-STAR D100	REVOLVING ELBOW - MEC 9_13500-STAR D 100	2	n
CB88/4	4010401063	FLANGIA ANT. MEC 9000-11000-13500/H G.4	FRONT FLANGE - MEC 9000-11000-13500/H G.4	1	n
CB94	4010601154	COPERCHIO SCATOLA MOLT. MEC 9-11-13500	GEARBOX COVER - MEC 9-13500	1	n
CB95	4060505000	PROTEZIONE ALBERO CE	SHAFT GUARD - CE	1	n
CB96	5050906006	TAPPO D 16x1.5 - DIN 908 -	PLUG - D 16X1	1	n
CB97	5050202007	RONDELLA D 16X20X1,5 ALLUMINIO	ALUMINIUM WASHER - D 16X20X1,5	1	n
CB98	5050107028	VITE M 12X35 TE	SCREW - M 12X35 TE	4	n
CB99	5050207005	RONDELLA D 12	SMOOTH WASHER - D 12	4	n
CB100	4010401062	FLANGIA SUPPORTO DEC. MEC 9-11-13500/G	PUMP SUPP. FLANGE MEC 9-11-13500	1	n
CB101	5050207003	RONDELLA D 8	SMOOTH WASHER - D 8	3	n
CB102/G	4020607005	PIGNONE DEC. GARDA MEC 6,5-8000 Z39-M3	GARDA PINION - Z39-M3 MEC 6,5-8000	1	n
CB102/GA	4020607017	PIGNONE DEC. GARDA MEC 8000 GA Z50-M3	GARDA PINION - Z50-M3 MEC 6,5-8000 GA	1	n
CB102/GA2	4020607051	PIGNONE DEC. GARDA MEC/GA 2 LEVE	GARDA PINION - MEC/GA 2 LEVE	1	n
CB103	5050107026	VITE M 10X25 TCEI	SCREW - M 10X25 TCEI	6	n
CB106	5060100001	ASTA LIVELLO OLIO 18X55 MM	OIL LEVEL ROD - MM 18X55	1	n
CB108	5050107107	VITE M 6x10 TEF - FL/ZIGR 8.8 -	GALVANIZED SCREW - M 6X10 TEF	4	n
CB109	5050507011	ANELLO SEEGER D 80 I	CIRCLIP - D 80 I	1	n
CB110	4010007038	TUBO COLL.COMPRESS-RACC BALLAST 9000	BALLAST CONNECTORE - BALLAST 9000	2	n
CB111	5040407005	RACCORDO CURVO M/M 1/2" GAS	CURVED CONNECTOR - M/M 1/2" GAS	2	n
CB112	4010007060	TUBO PER FILTRI BALLAST SYST.BALLAST 9000	HOSE FOR FILTER-BALLAST SYST.BALLAST 9000	2	n
CB114	4010007037	SOSTEGNO TUBI ASP. BALLAST 9000	BALLAST HOSES SUPPORT - BALLAST 9000	1	n
CB115/3,5	5050107122	VITE M 6X25 TE -10.9 -	SCREW - M 6X25 TE -10.9 -	3	n
CB115/4	5050107123	VITE M 8X25 TE - 10.9	SCREW - M 8X25 TE - 10.9	3	n
CB116	5050107109	VITE M 10X25 TEF - FL/ZIGR 8.8 -	SCREW - M 10X25 TEF - FL/ZIGR 8.8	12	n
CB117	5050107108	VITE M 8X25 TEF - FL/ZIGR 8.8 -	SCREW - M 8X25 TEF - FL/ZIGR 8.8	8	n
CB118	5030210063	ANELLO TENUTA OR 177.47X2.62 - GAR. 9-13	SEAL RING - OR 177.47X2.62 MEC 9-13500/G	1	n
CB119	4010601153	COPERCHIO ANTERIORE MEC 5-13500 /P-AL	FRONT COVER - MEC 5-13500/P AL	1	n
CB120/A	5090000123	TERMOSTATO- POZZ. 1/2" GAS	TEMPERATURE SWITCH - POZZ. 1/2" GAS	1	n
CB121	4060505039	SPIA LIVELLO OLIO MEC 9000-11000-13500	OIL LEVEL INDICATOR MEC 9000-11000-13500	1	n
CB126/3,5	4030108046	GUARN. SUPP. MOTORE IDR. GR. 3.5 MEC	HYDR. MOT. SUPP. GASKET - GR. 3.5 - MEC	1	n
CB126/3,5/A	4030108077	GUARN. SUPP. MOTORE IDR. GR. 3.5 MEC - ATEX	HYDR. MOT. SUPP. GASKET - GR. 3.5 - MEC - ATEX	1	n
CB126/4	4030108028	GUARN. SUPP. MOTORE IDR. GRUPPO 4	HYDRAULIC MOTOR SUPPORT GASKET - GR4	1	n
CB126/4/A	4030108060	GUARN. SUPP. MOTORE IDR. GRUPPO 4 - ATEX	HYDRAULIC MOTOR SUPPORT GASKET - GR4 - ATEX	1	n
CB127	5050903003	TAPPO D. 1/8" - DIN 906	PLUG - D 1/8"	7	n
CB128	5050903004	TAPPO M 10x1 - CON SFIATO	PLUG - M 10X1 WITH AIR RELEASING	1	n
CB154	5050107125	VITE M 10X110 TCEI	SCREW - M 10X110 TCEI	1	n
CB155	4020107028	PRESA CALETTATA FORO D 32 -CH.10-Ø 1"3/8	SPLINED HUB HOLE D 32 -KEY 10 - D 1" 3/8	1	n
CB156	4010601167	COPERCHIO ANTERIORE MEC 9-11-13500 /D	FRONT COVER - MEC 9-11-13500/D	1	n

CODE	ARTICLE	DESCRIZIONE	DESCRIPTION	Q.TY	UM
CB157	5050707031	CHIAVETTA 10X8X40	KEY - 10X8X40	1	n
CB158	5030300048	PARAOLIO 54X68X10 TC	OIL SEAL - 54X68X10 TC	1	n
CB159	5050207034	RONDELLA DI SICUREZZA D 10 NORD-LOCK	SECURITY WASHER - D10 NORD-LOCK	1	n
CB161	4030110028	GUARN. BALLAST2 MEC 11000-13500	GASKET BALLAST2 MEC 11000-13500	1	n
CB161/A	4030110029	GUARN. BALLAST2 MEC 11000-13500 - ATEX	GASKET BALLAST2 MEC 11000-13500 - ATEX	1	n
CB162	5050207002	RONDELLA D 6	SMOOTH WASHER - D 6	7	n
CB164	4010007057	CONDOTTO BALLAST 11000-13500	DUCT BALLAST 11000-13500	1	n
CB165	5040303030	VALVOLA UNIDIREZIONALE D 3/4" BALLAST	UNIDIRECTIONAL VALVE D 3/4" BALLAST	3	n
CB166	5080005004	FILTRO ARIA VALV. UNID. 3/4"	AIR FILTER - ONE-WAY VALVE 3/4"	3	n
CB167	5050107008	VITE M 6X16 TCEI	SCREW - M 6X16 TCEI	4	n
CB172	4011707024	ANELLO DI RID.SUPP.POMPA WPT 1000 GARDA	FLANGE RING NUT - WPT/G 1000 RPM	1	n
CB173	5051007001	GRANO M 6X10	DOWEL - M 6X10	3	n
CB174/3,5	6080200057	MOTORE IDR. KM 30.51 SO GR.3.5 COMPL.	HYDRAULIC MOTOR KM 30.51 SO GR. 3.5	1	n
CB174/3,5/B	6080200059	MOTORE IDR. KM 30.73 SO GR.3.5 COMPL.	HYDRAULIC MOTOR - KM 30.73 SO GR. 3.5	1	n
CB174/4	6080200061	MOTORE IDR. KM 40.87 SO GR.4 COMPL.	HYDRAULIC MOTOR KM 40.87 SO GR.4	1	n
CB175/3,5	5050107099	VITE ZINCATA M 10X45 TE	GALVANIZED SCREW - M 10X45 TE	4	n
CB175/4	5050107061	VITE M 12X45 TCEI	SCREW - M 12X45 TCEI	4	n
CB192	5050207024	RONDELLA D 10 ZINCATA	GALVANIZED FLAT WASHER - D 10	4	n
CB193	4010801043	MANIGLIA CON ATTACCO QUADRATO	HANDLE SQUARE CONNECTION	1	n
CB194	5050300016	DADO AUTOB. M 10X1,5 VARGAL UNI 9319	SELF-LOCKING NUT - M 10X1 VARGAL	1	n
CB195	5050207008	RONDELLA TRANCIATA D 10X40	BLANK WASHER - D 10X40	1	n
CB196	4012007015	MOLLA PIATTELLO BALLAST-AIDA	SPRING FOR POPPET VALVE BALLAST-AIDA	1	n
CB197	4011707114	GUIDA PIATTELLO BALLAST-AIDA	GUIDE FOR POPPET VALVE BALLAST-AIDA	1	n
CB198	4010401082	FLANGIA SUPPORTO PIATTELLO BALL.9-13500	FLANGE SUPPORT CHECK VALVE - BALL9-13500	1	n
CB199	4010006026	PIATTELLO COMPLETO BALLAST 16000	POPPET VALVE - BALLAST16000/BALLAST AIDA	1	n
CB200	4030109060	GUARN. FERMO PIATTELLO BALLAST9-11-13500	POPPET V. LOCK GASKET - BALLAST 9-13500	1	n
CB201	4020807026	RUOTA DENTATA CENTRALE GARDA EVO Z50-M3	CENTRAL GEAR - Z50-M3 GARDA EVO	1	n
CB202	4020907069	ALBERO CONVERSIONE GARDA MEC/STAR/KPS T	SPLINED SLEEVE - MEC/BALLAST/STAR/KPS T	1	n
CB203	5050107016	VITE M 8X25 TCEI	SCREW - M 8X25 TCEI	8	n
CB204	5050107058	VITE M 10X50 TE	SCREW - M 10X50 TE	1	n
CB205	4011707055	RONDELLA BLOCCAGGIO CALETTATO GARDA TS	SPLINED SMOOTH WASHER - GARDA TS	1	n
CB206	4020107034	MOZZO SCORREVOLE GARDA EVO	SLIDING SLEEVE - GARDA EVO	1	n
CB207	5050507029	ANELLO SEEGER D 55 E - DIN 471	CIRCLIP - D 55 E - DIN 471	1	n
CB208	4011707115	DISTANZIALE BALL.16000 PERNO GA 2 LEVE	PIN SPACER BALL.16000 GA 2 LEVERS	1	n
CB209	4030108047	GUARN. FLANGIA SUPP.DECOMPR. STAR	PUMP SUPPORT GASKET STAR	1	n
CB211	5040300031	RIDUZIONE D 3/4"X1/2" M/M BALLAST	REDUCTION - D 3/4"X1/2" M/M BALLAST	2	n
CB122/BAL	6010201048	KIT REVISIONE POMPA BALLAST 9000	REBUILD KIT - BALLAST 9000	1	n
CBA122/BAL	6010201049	KIT REVISIONE POMPA BALLAST 11000	REBUILD KIT - BALLAST 11000	1	n
CBAL122/BAL	6010201050	KIT REVISIONE POMPA BALLAST 13500	REBUILD KIT - BALLAST 13500	1	n
LUBR_OIL	5070200100	OLIO BATTIONI PAGANI POMPE (5LT)	BATTIONI PAGANI VACUUM PUMP OIL (5LT)	1	n
		<b>LUBRIFICAZIONE AUTOMATICA</b>	<b>AUTOMATIC LUBRICATION</b>		
LA1	4010601022	COPERCHIO POSTERIORE POMPA OLIO MEC LA	OIL PUMP SUPPORT BACK COVER - MEC L.A.	1	n
LA2	4010006002	GIUNTO DI COLLEGAMENTO L.F.	CONNECTOR JOINT - L.F.	1	n
LA4	4030108011	GUARN. POMPA OLIO L.A.	OIL PUMP GASKET - L.A.	1	n
LA7	5050107005	VITE M 6X16 TE	SCREW - M 6X16 TE	5	n
LA12	5040303007	RACCORDO D 1/8"X6X90° RILSAN	CONNECTOR - D 1/8"X6X90° RILSAN	1	n
LA15	5040303008	RACCORDO D 1/8"X4X90° RILSAN	CONNECTOR - D 1/8"X4X90° RILSAN	4	n
LA20	5050812001	INGRASSATORE M 10X1	LUBRICATOR - M 10X1	1	n
LA23	5050207002	RONDELLA D 6	SMOOTH WASHER - D 6	3	n
LA24	5030210028	ANELLO TENUTA OR 2337 POMPA LF	SEAL RING - OR 86824 LF PUMP	1	n
LA27	5050906001	TAPPO D 1/4" GAS	PLUG - D 1/4" GAS	1	n
LA28	5050202003	RONDELLA D 1/4" GAS ALLUMINIO	ALUMINIUM WASHER - D 1/4" GAS	1	n
LA29	5080105003	TUBO LUBRIFICAZIONE D4X6 TEFLON-MEC9000	SUCTION HOSE - D 4X6 TEFLON - MEC9000	0,5	m
LA30	5080105003	TUBO LUBRIFICAZIONE D4X6 TEFLON-MEC11000	SUCTION HOSE - D 4X6 TEFLON - MEC11000	0,55	m
LA31	5080105003	TUBO LUBRIFICAZIONE D4X6 TEFLON-MEC13500	SUCTION HOSE - D 4X6 TEFLON - MEC13500	0,6	m
LA32	5050107108	VITE M 8X25 TEF - FL/ZIGR 8.8 -	SCREW - M 8X25 TEF - FL/ZIGR 8.8	2	n
LA35	4060310001	PASSATUBO CHIUSO	CLOSED TUBE-PASS	1	n
LA38	4011406012	SERBATOIO OLIO STAMPATO	OIL TANK THERMOFORMED	1	n

CODE	ARTICLE	DESCRIZIONE	DESCRIPTION	Q.TY	UM
LA39	4011707113	INSERTO OTTONE SERBATOIO PLASTICA	INSERT BRASS PLASTIC OIL TANK	2	n
LA40	5050207038	RONDELLA D 10X25X1,5 - UNI 1739	SMOOTH WASHER - D 10X25X1,5 - UNI 1739	2	n
LA41	5050107106	VITE ZINCATA M 10X100 TE	GALVANIZED SCREW - M 10X100 TE	2	n
LA42	4011707112	DISTANZIALE SERBATOIO PLASTICA	SPACER FOR PLASTIC TANK	2	n
LA43	5060605014	TAPPO CARICO OLIO D 1" GAS	CHARGE OIL PLUG - D 1" GAS	1	n
LA44	5080005001	FILTRO OLIO WPT LA	OIL FILTER - WPT LA	1	n
LA45	5050202005	RONDELLA D 18X24X1.5 ALLUMINIO	ALUMINIUM WASHER - D 18X24X1.5	1	n
LA46	4040407001	RIDUZIONE PORTAFILTRO WPT LA	FILTER REDUCTION - WPT LA	1	n
LA47	5040200001	RUBINETTO SERBATOIO OLIO D 1/4" GAS	OIL TANK DRAIN COCK - D 1/4" GAS	1	n
LA48	5040303015	RACCORDO DRITTO D 1/4"X6 RILSAN	CONNECTOR - R1 1/4"X6	1	n
LA49	4010007061	SUPPORTO SERBATOIO PLASTICA MEC9-13500	SIDE PLASTIC TANK SUPPORT - MEC 9-13500	1	n
LA50	5050903003	TAPPO D. 1/8" - DIN 906	PLUG - D 1/8"	1	n
LA51	4060310005	RONDELLA IN GOMMA D. 25,9X15X3	RUBBER WASHER D 25,9X15X3	2	n
LA52	5050307003	DADO M 10	NUT - M 10	2	n
LA53	4010007080	SOSTEGNO TUBI TERMOPLASTICO	THERMOPLASTIC HOSES SUPPORT	2	n
LB11	5080105003	TUBO LUBRIFICAZIONE D 4X6 - TEFLON	SUCTION HOSE - D 4X6 - TEFLON	0,5	m
LB12	5040303011	RACCORDO DRITTO D 1/8"X6 RILSAN	STRAIGHT CONNECTOR - D 1/8"X6 RILSAN	1	n
LB16	5080105004	TUBO LUBRIFICAZIONE D 2X4 - TEFLON	LUBRICATION HOSE - D 2X4 - TEFLON	0,69	m
LB17	5080105004	TUBO LUBRIFICAZIONE D 2X4 - TEFLON	LUBRICATION HOSE - D 2X4 - TEFLON	0,29	m
LB5/D	5080200036	POMPA LA 2 MAND. AL DX IIS	OIL PUMP - LA 2 WAYS AL DX IIS	1	n
LB5/S	5080200038	POMPA LA 2 MAND. AL SX IIS	OIL PUMP - LA 2 WAYS AL SX IIS	1	n
CB212	6080200440	KIT LUBRIFICAZIONE BALLAST 9-11-13500 DX	LUBRICATION KIT - BALLAST 9-11-13500 CW	1	n
CB213	6080200441	KIT LUBRIFICAZIONE BALLAST 9-11-13500 SX	LUBRICATION KIT - BALLAST 9-11-13500 CCW	1	n
CB214	6080200304	KIT SERBATOIO LATERALE MEC 9-11-13500	SIDE OIL TANK KIT - MEC 9-11-13500	1	n



Battioni®  
Pagani

*Setting the pace since 1953*

0	01.05.2021	1° EMISSIONE	PROG	R DT	AM
REV.	DATA	MOTIVO	PREPARATO	APPROVATO	AUTORIZZATO



Battioni®  
Pagani

*Setting the pace since 1953*

Via Cav. Enzo Ferrari, 2  
43058 Ramoscello di Sorbolo (PR) - Italy

Ph. +39 0521 663203

Fax +39 0521 663206



[www.bapag.it](http://www.bapag.it)  
[info@bapag.it](mailto:info@bapag.it)