

## Catalogo generale ricambi

General spare parts catalogue

Catalogue générale des pièces de rechange

Ersatzteile-katalog

Catálogo de piezas



**Battioni®**  
**Pagani**

*Setting the pace since 1953*

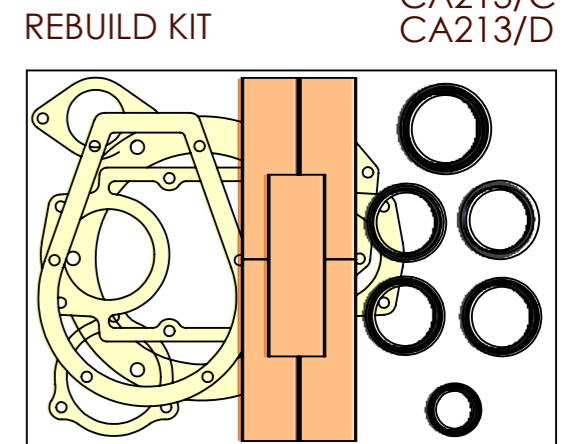
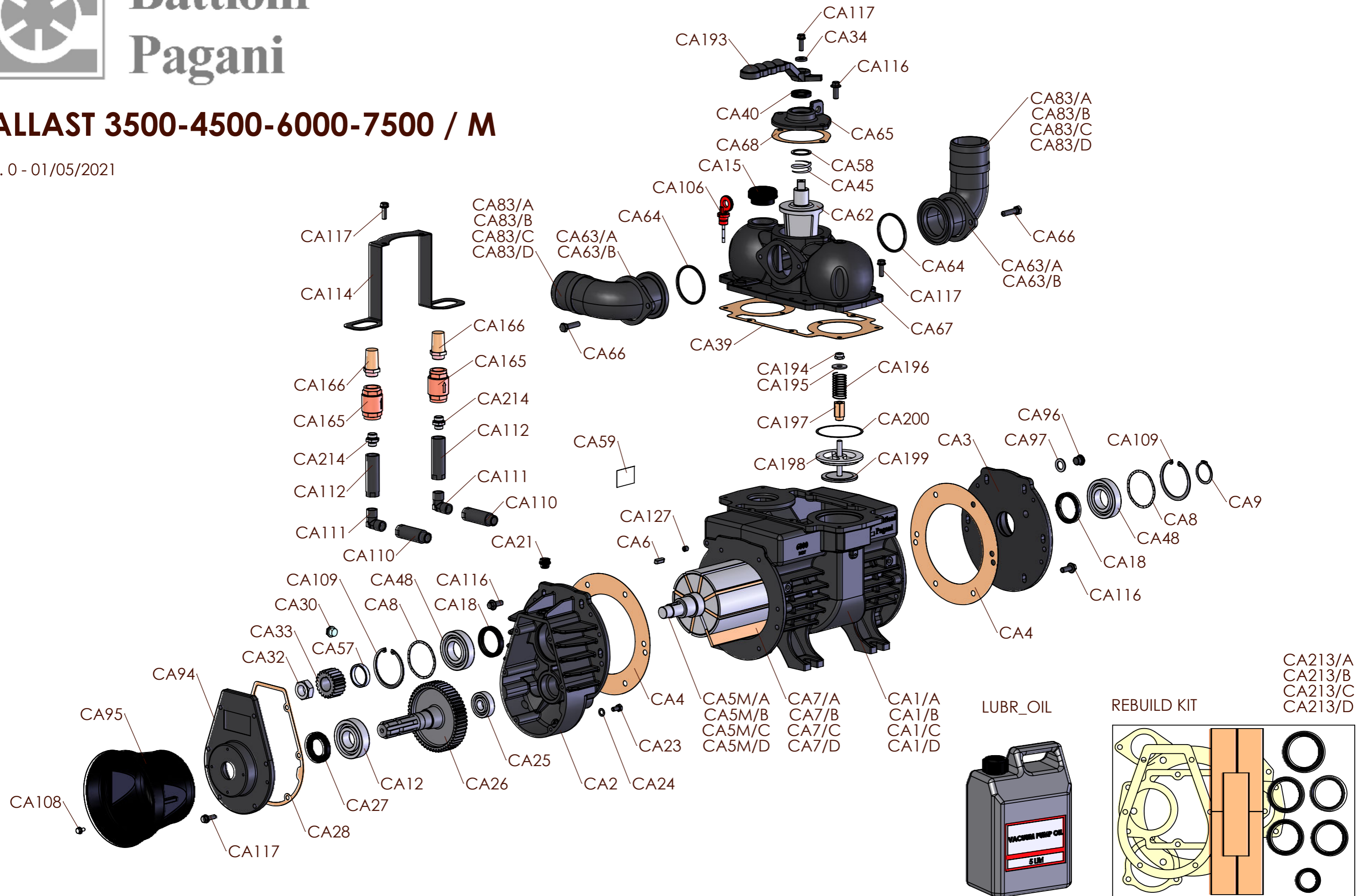
# 2021



**Battioni®**  
**Pagani**

**BALLAST 3500-4500-6000-7500 / M**

Rev. 0 - 01/05/2021

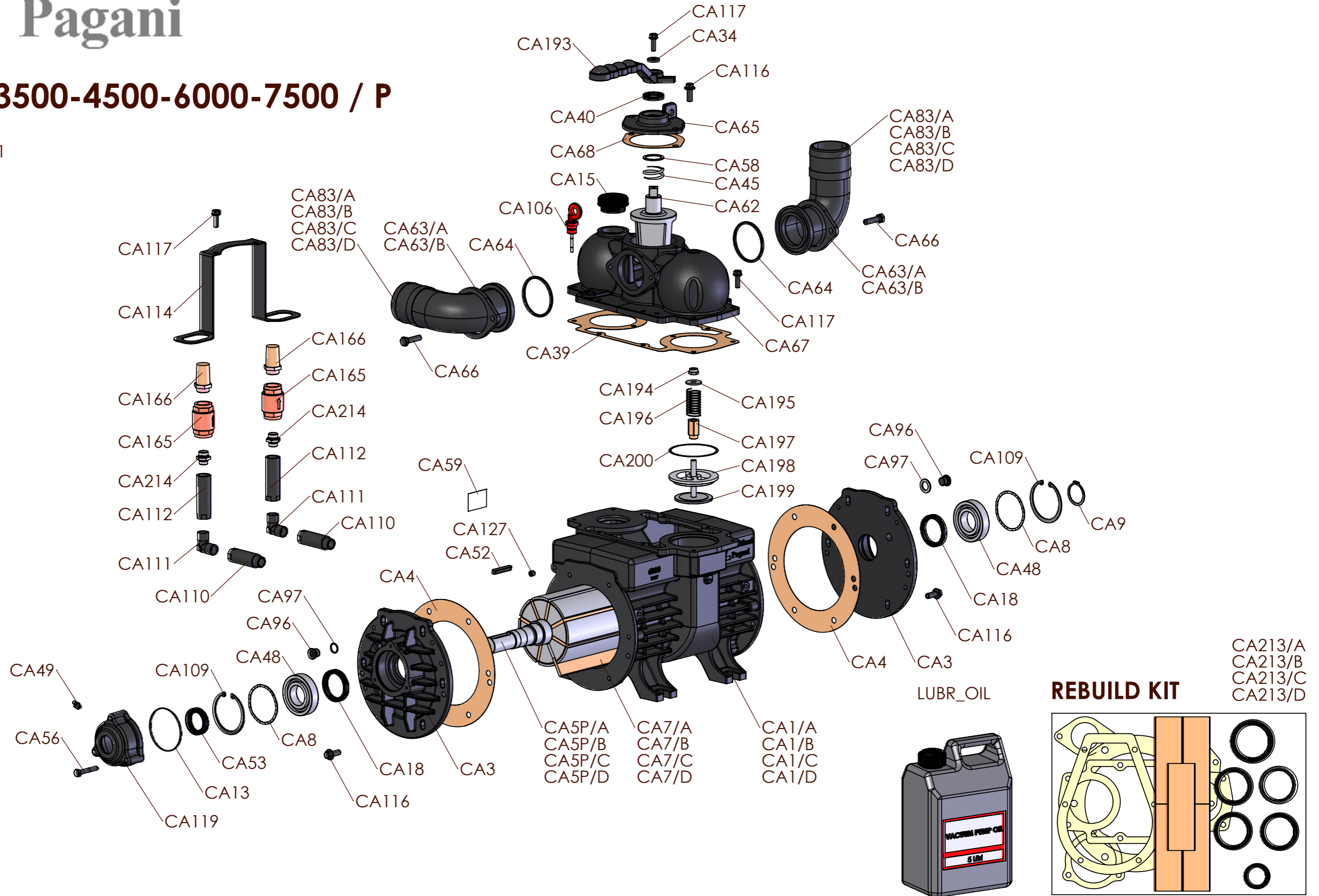




# Battioni® Pagani

## BALLAST 3500-4500-6000-7500 / P

Rev. 0 - 01/05/2021

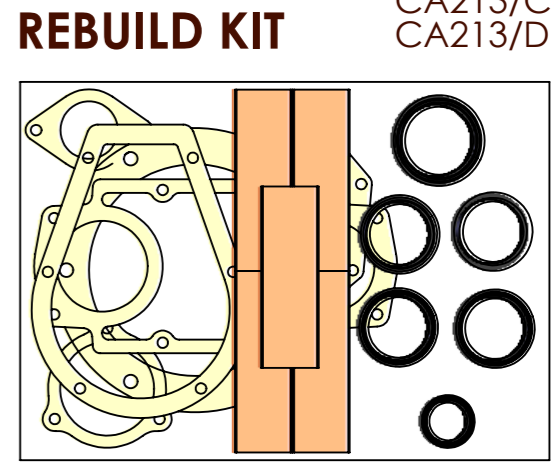
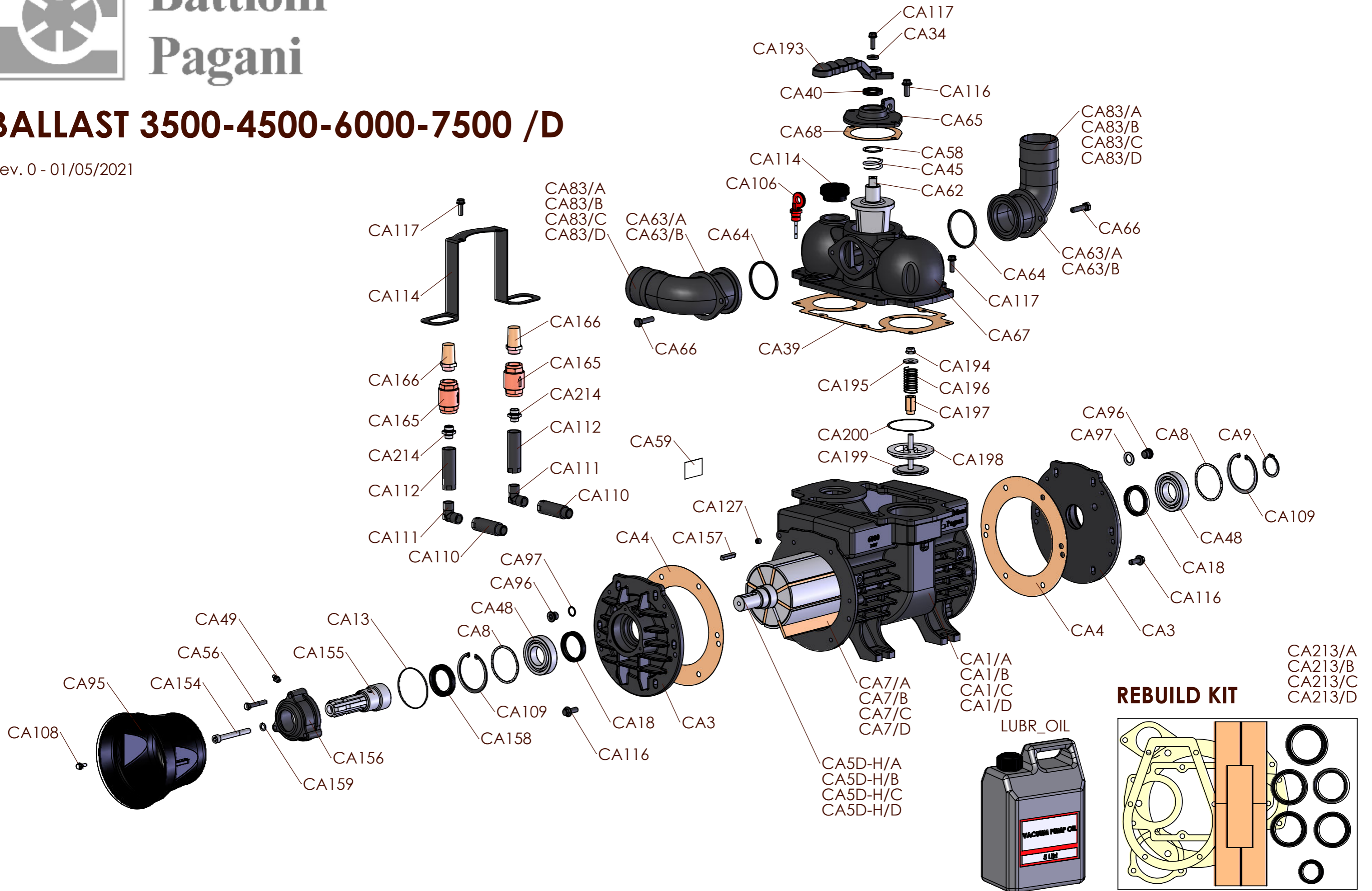




**Battioni®**  
**Pagani**

# BALLAST 3500-4500-6000-7500 /D

Rev. 0 - 01/05/2021

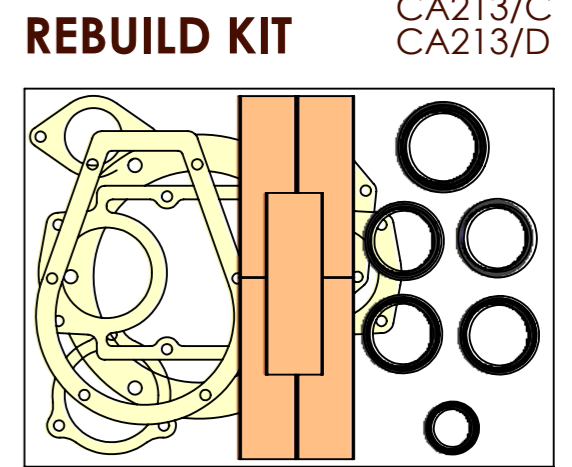
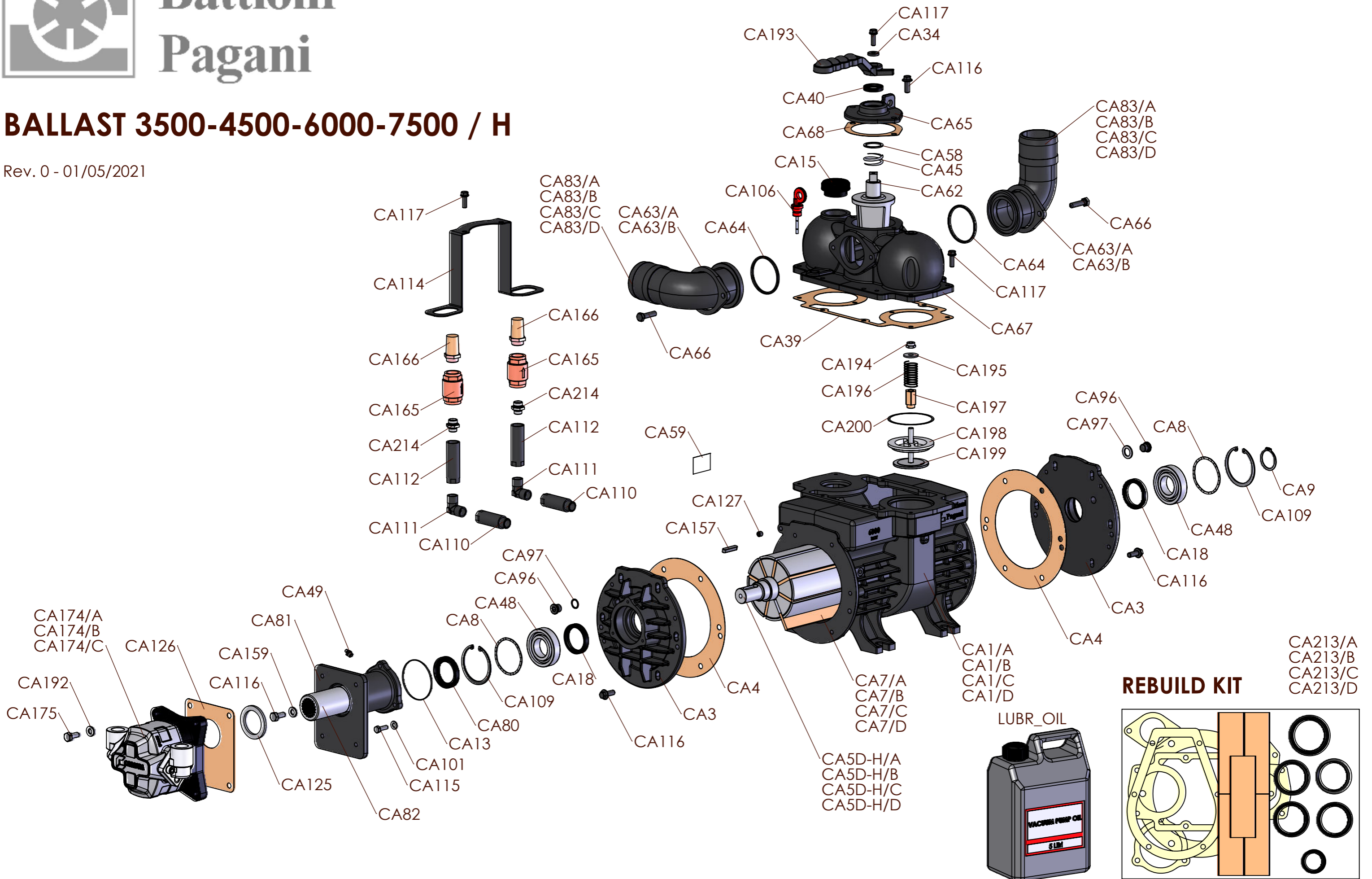




# Battioni® Pagani

## BALLAST 3500-4500-6000-7500 / H

Rev. 0 - 01/05/2021

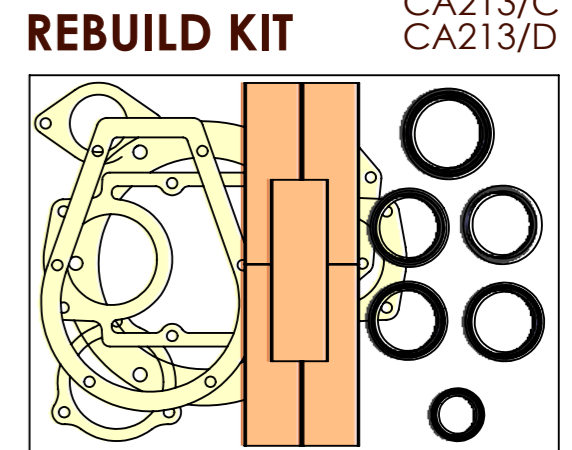
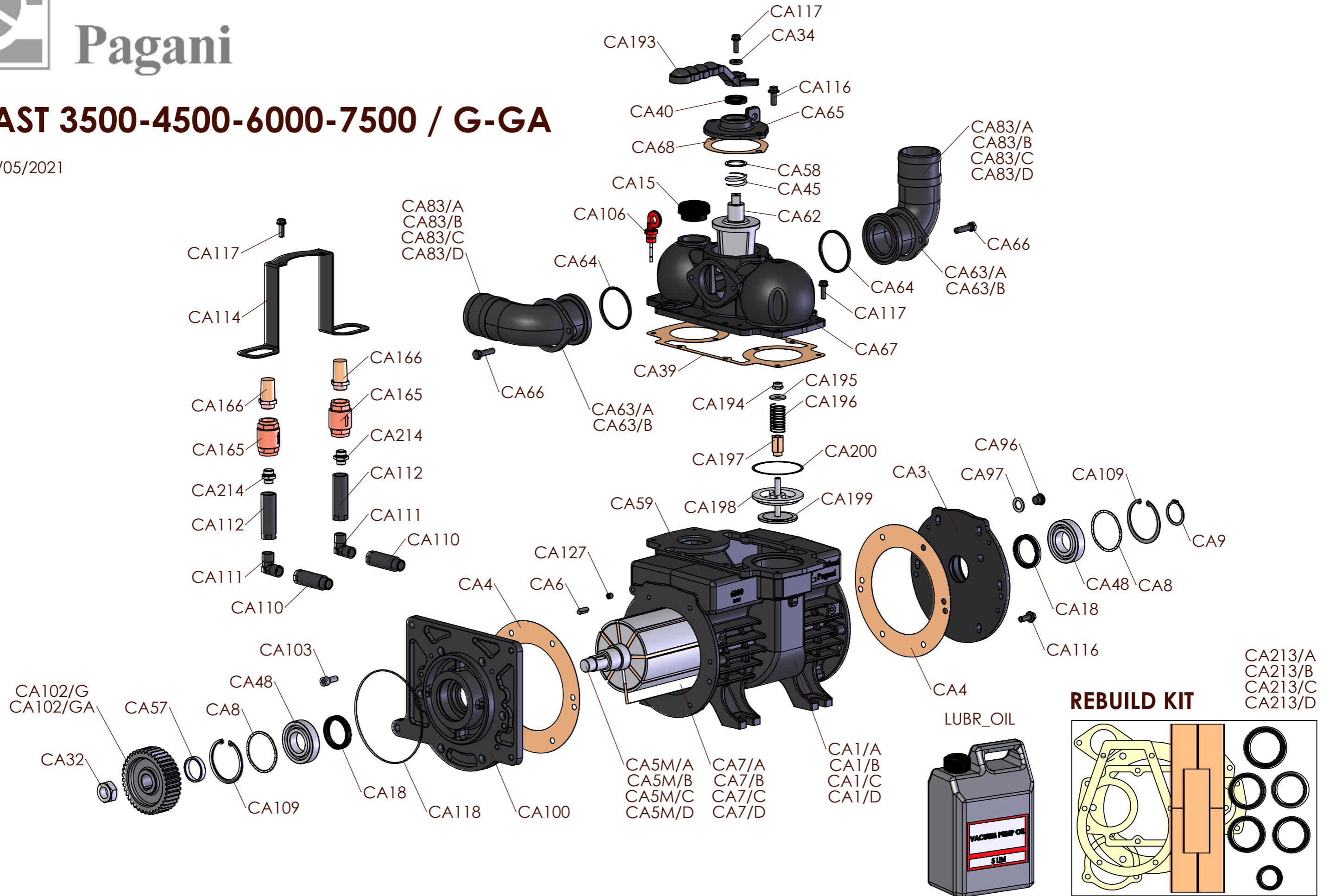




**Battioni®**  
**Pagani**

# BALLAST 3500-4500-6000-7500 / G-GA

Rev. 0 - 01/05/2021

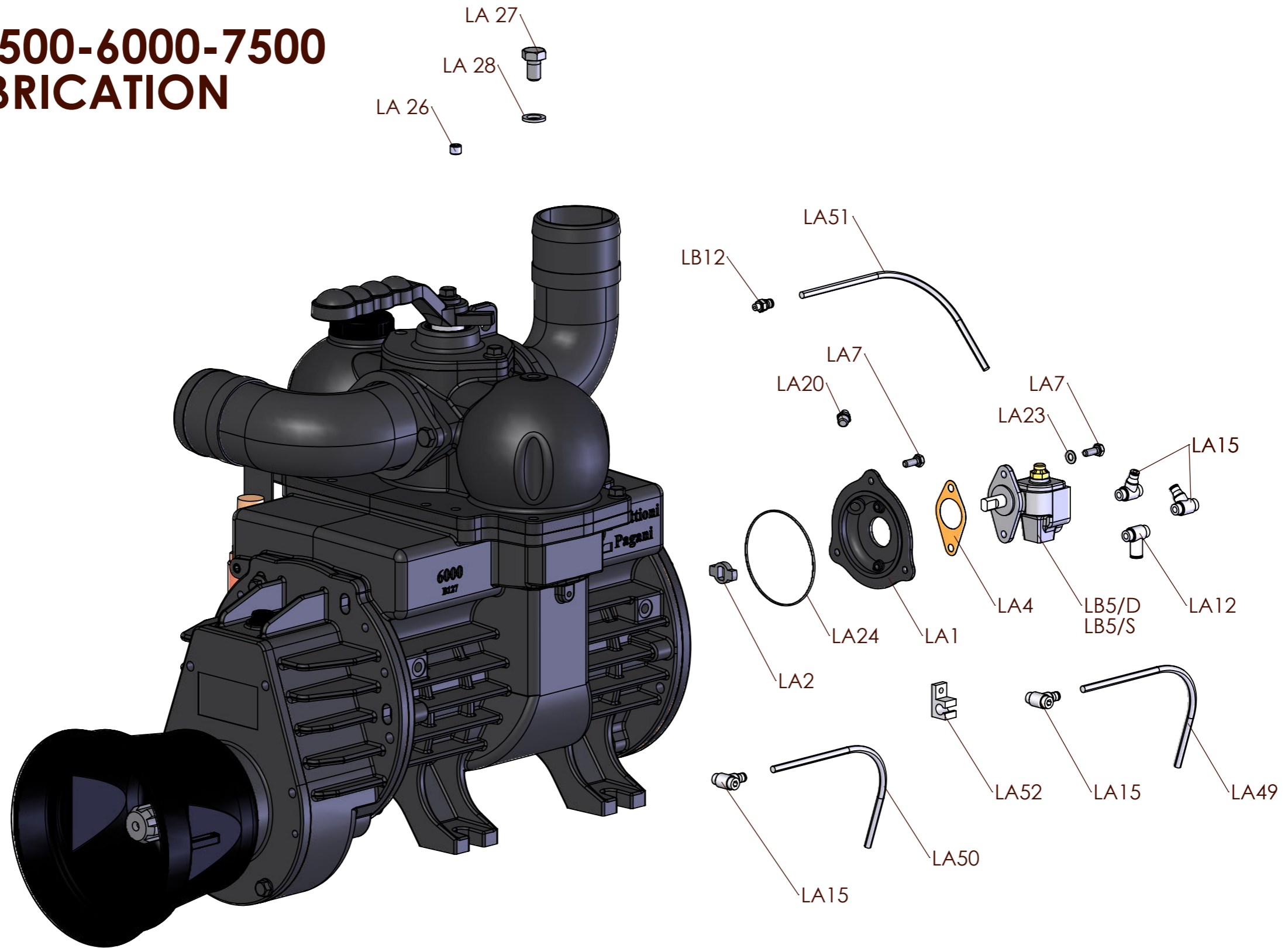




**Battioni®**  
**Pagani**

# BALLAST 3500-4500-6000-7500 AUTOMATIC LUBRICATION

Rev. 0 - 01/05/2021



CODE	ARTICLE	DESCRIZIONE	DESCRIPTION	Q.TY	UM
CA1/A	4010101134	CORPO POMPA BALLAST 3500 LA	HOUSING - BALLAST 3500 LA	1	n
CA1/B	4010101138	CORPO POMPA BALLAST 4500 LA	HOUSING - BALLAST 4500 LA	1	n
CA1/C	4010101145	CORPO POMPA BALLAST 6000 LA	HOUSING - BALLAST 6000 LA	1	n
CA1/D	4010101149	CORPO POMPA BALLAST 7500 LA	HOUSING - BALLAST 7500 LA	1	n
CA2	4010301031	SCATOLA MOLT. MEC 3500-4500-6000-7500/M	GEARBOX - MEC 3500-4500-6000-7500/M	1	n
CA3	4010401073	FLANGIA ANT.POST.MEC 3500-4500-6000-7500	FRONT & BACK FLANGE MEC 3.5-4.5-6-7500	2	n
CA4	4030108066	GUARN. FLANGIA MEC 3,5-7500	FLANGE GASKET - MEC 3,5-7500	2	n
CA5D-H/A	4010220211	ROTORE BALLAST 3500/D-H	ROTOR - BALLAST 3500/D-H	1	n
CA5D-H/B	4010220212	ROTORE BALLAST 4500/D-H	ROTOR - BALLAST 4500/D-H	1	n
CA5D-H/C	4010220205	ROTORE BALLAST 6000/D-H	ROTOR - BALLAST 6000/D-H	1	n
CA5D-H/D	4010220206	ROTORE BALLAST 7500/D-H	ROTOR - BALLAST 7500/D-H	1	n
CA5M/A	4010220209	ROTORE BALLAST 3500/M	ROTOR - BALLAST 3500/M	1	n
CA5M/B	4010220210	ROTORE BALLAST 4500/M	ROTOR - BALLAST 4500/M	1	n
CA5M/C	4010220203	ROTORE BALLAST 6000/M	ROTOR - BALLAST 6000/M	1	n
CA5M/D	4010220204	ROTORE BALLAST 7500/M	ROTOR - BALLAST 7500/M	1	n
CA5P/A	4010220207	ROTORE BALLAST 3500/P	ROTOR - BALLAST 3500/P	1	n
CA5P/B	4010220208	ROTORE BALLAST 4500/P	ROTOR - BALLAST 4500/P	1	n
CA5P/C	4010220201	ROTORE BALLAST 6000/P	ROTOR - BALLAST 6000/P	1	n
CA5P/D	4010220202	ROTORE BALLAST 7500/P	ROTOR - BALLAST 7500/P	1	n
CA6	5050707004	CHIAVETTA 8X7X25	KEY - 8X7X25	1	n
CA7/A	4070113232	PALETTA LONG LIFE BALLAST 3500 205X43X6.5	LONG LIFE BLADE - BALLAST 3500 205X43X6.5	8	n
CA7/B	4070113233	PALETTA LONG LIFE BALLAST 4500 260X43X6.5	LONG LIFE BLADE - BALLAST 4500 260X43X6,5	8	n
CA7/C	4070113234	PALETTA LONG LIFE BALLAST 6000 350X43X6.5	LONG LIFE BLADE - BALLAST 6000 350X43X6,5	8	n
CA7/D	4070113235	PALETTA LONG LIFE BALLAST 7500 430X43X6.5	LONG LIFE BLADE - BALLAST 7500 430X43X6,5	8	n
CA8	5012207001	ANELLO DI COMPENSAZIONE Ø 80-LMKAS 80 B	COMPRESSION & THRUST RING D80	2	n
CA9	5050507017	ANELLO SEEGER D 40 E - DIN 471 -	CIRCLIP - D 40 E	1	n
CA12	5012107010	CUSCINETTO A SFERE 6307	BALL BEARING - 6307	1	n
CA13	5030210028	ANELLO TENUTA OR 2337-85.34X1.78POMPA LF	SEAL RING - OR 2337 LF PUMP	1	n
CA15	5060605005	TAPPO NERO D 1"1/2 GAS	BLACK CAP - D 1"1/2	1	n
CA18	5030300042	PARAOLIO 48X62X10 DCV - FKM	OIL SEAL - 48X62X10 DCV - FKM	2	n
CA21	5060605001	TAPPO CARICO OLIO D 3/8" GAS	OIL PLUG - D 3/8" GAS	1	n
CA23	5050107018	VITE M 10X16 TE	SCREW - M 10X16 TE	1	n
CA24	5050202002	RONDELLA D 10X16X1,5 ALLUMINIO	ALUMINIUM WASHER - D 10X16X1,5	4	n
CA25	5012107006	CUSCINETTO A SFERE 6304	BALL BEARING - 6304	1	n
CA26	4020507002	INGR. CON ALBERO MEC 2-5000 Z55-M2,5	GEAR WITH SHAFT - Z55-M2,5 MEC 2-5000	1	n
CA27	5030300005	PARAOLIO 35X62X10	OIL SEAL - 35X62X10	1	n
CA28	4030108006	GUARN. COPERCHIO SCAT. MOLT. MEC 2-8000	GEARBOX COVER GASKET - MEC 2-8000	1	n
CA30	5060105004	TAPPO LIVELLO OLIO D 3/8" GAS	OIL LEVEL PLUG - D 3/8" GAS	1	n
CA32	5050300001	DADO AUTOBLOCCANTE M 24X2X15	SELF-LOCKING NUT - M 24X2X15	1	n
CA33	4020607062	PIGNONE MEC 3500-7500 Z21-M2,5 CH.8	PINION - Z21-M2,5 MEC 3500-7500/M	1	n
CA34	5050207032	RONDELLA D 10X28X4 - DIN 6340	WASHER - D 10X28X4 - DIN 6340	1	n
CA39	4030109046	GUARN. COLLETTORE MEC 3,5-7500	MANIFOLD GASKET - MEC 3,5-7500	1	n
CA40	5030300007	PARAOLIO 30X40X7 TC	OIL SEAL - 30X40X7	1	n
CA45	4012007014	MOLLA MEC 3500-4500-6000-7500		1	n
CA48	5012107004	CUSCINETTO A SFERE 6208	BALL BEARING - 6208	2	n
CA49	5050812001	INGRASSATORE M 10X1	LUBRICATOR - M 10X1	1	n
CA52	5050707007	CHIAVETTA 8X7X50	KEY - 8X7X50	1	n
CA53	5030300002	PARAOLIO 35X52X10	OIL SEAL - 35X52X10	1	n
CA56	5050107005	VITE M 6X16 TE	SCREW - M 6X16 TE	5	n
CA57	4011707110	DISTANZIALE ROTORE MEC 3,5-4,5-6-7500M-G	SPACER ROTOR MEC 3,5-7500/M-G	1	n
CA58	5050207037	RONDELLA PER CONO INVERT. MEC 3500-7500	TEFLON WASHER REV.GEAR MEC3,5-4,5-6-7500	1	n
CA59	5101800000	THERMO LABEL	THERMO LABEL	1	n
CA62	4010701019	CONO INVERTITORE MEC 3500-4500-6000-7500	REVERSING GEAR MEC 3500-4500-6000-7500	1	n
CA63/A	4010406030	FLANGIA PREMICURVA - Ø45 e Ø60	SUPPORT FLANGE - Ø45 e Ø60	2	n
CA63/B	4010406004	FLANGIA PREMICURVA - Ø76 e Ø80	SUPPORT FLANGE - Ø76 e Ø80	2	n
CA64	5030210019	ANELLO TENUTA OR 179	SEAL RING - OR 179	2	n
CA65	4010601078	COPERCHIO COLLETTORE MEC 5-6,5-8000 UL	MANIFOLD COVER - MEC 5-6,5-8000 UL	1	n
CA66	5050107022	VITE M10X40 TE	SCREW-M10X40 TE	4	n



CODE	ARTICLE	DESCRIZIONE	DESCRIPTION	Q.TY	UM
CA67	4010501030	COLLETTORE MEC 3500-4500-6000-7500	MANIFOLD MEC 3500-4500-6000-7500	1	n
CA68	4030109027	GUARN. COPERCHIO COLL. MEC 5-8000 UL	MANIFOLD COVER GASKET - MEC 5-8000 UL	1	n
CA80	5030300013	PARAOLIO 55X68X8	OIL SEAL - 55X68X8	1	n
CA81	4011001016	SUPPORTO MOTORE IDRAULICO	HYDRAULIC MOTOR SUPPORT	1	n
CA82	4020107027	MANICOTTO DI TRASMISSIONE MOT. IDR.	HYDR. MOTOR TRANSM. COUPLING	1	n
CA83/A	4010901023	CURVA DI SCARICO ORIENT. D 45	REVOLVING ELBOW - D 45	2	n
CA83/B	4010901024	CURVA DI SCARICO ORIENT. D 60	REVOLVING ELBOW - D 60	2	n
CA83/C	4010901013	CURVA DI SCARICO ORIENT. D 76	REVOLVING ELBOW - D 76	2	n
CA83/D	4010906004	CURVA DI SCARICO ORIENT. D 80	REVOLVING ELBOW - D 80	2	n
CA94	4010601115	COPERCHIO SCATOLA MOLT. MEC 2-8000 CE	GEARBOX COVER - MEC 2-8000 CE	1	n
CA95	4060505000	PROTEZIONE ALBERO CE	SHAFT GUARD - CE	1	n
CA96	5050906006	TAPPO D 16x1.5 - DIN 908 -	PLUG - D 16X1.5	1	n
CA97	5050202007	RONDELLA D 16X20X1,5 ALLUMINIO	ALUMINIUM WASHER - D 16X20X1,5	1	n
CA100	4010401078	FLANGIA DI SUPPORTO DEC. PER GARDA	PUMP SUPPORT FLANGE - GARDA	1	n
CA101	5050207002	RONDELLA Ø 6	SMOOTH WASHER - Ø 6	3	n
CA102/G	4020607063	PIGNONE DEC. PER GARDA G - Z39 - M3	GARDA PINION G - Z39 - M3	1	n
CA102/GA	4020607064	PIGNONE DEC. PER GARDA GA - Z50 - M3	GARDA PINION GA - Z50 - M3	1	n
CA103	5050107026	VITE M 10X25 TCEI	SCREW - M 10X25 TCEI	6	n
CA106	5060100001	ASTA LIVELLO OLIO 18X55 MM	OIL LEVEL ROD - MM 18X55	1	n
CA108	5050107107	VITE M 6x10 TEF - FL/ZIGR 8.8 -	GALVANIZED SCREW - M 6X10 TEF	4	n
CA109	5050507011	ANELLO SEEGER D 80 I - DIN 472	CIRCLIP - D 80 I	1	n
CA110	4010007038	TUBO COLL.COMPRESS-RACC BALLAST 3,5-9000	BALLAST CONNECTOR - BALLAST 3500-9000	2	n
CA111	5040407005	RACCORDO CURVO M/M 1/2" GAS	CURVED CONNECTOR - M/M 1/2" GAS	2	n
CA112	4010007083	TUBO COLLEGAMENTO FILTRI BALLAST3,5-7500	BALLAST FILTER CONN. - BALLAST 3500-7500	2	n
CA114	4010007084	SOSTEGNO TUBI BALLAST BALLAST 3500-7500	HOSES SUPPORT - BALLAST 3500-7500	1	n
CA115	5050107122	VITE M 6X25 TE - 10,9	SCREW - M6X25 TE - 10,9	3	n
CA116	5050107109	VITE M 10X25 TEF - DIN 6921 ISO 8100	SCREW - M 10X25 TEF - DIN 6921 ISO 8100	12	n
CA117	5050107108	VITE M 8X25 TEF - DIN 6921 ISO 8100	SCREW - M 8X25 TEF - DIN 6921 ISO 8100	8	n
CA118	5030210063	ANELLO TENUTA OR 177.47X2.62 - GAR. 9-13	SEAL RING - OR 177.47X2.62 MEC 9-13500/G	1	n
CA119	4010601153	COPERCHIO ANTERIORE MEC 5-13500 /P-AL	FRONT COVER - MEC 5-13500/P AL	1	n
CA125	4011707041	ANELLO DI RIDUZ. PER MOT. IDR. G.3	CENTERING RING FOR HYDR. MOTOR - G.3	1	n
CA126	4030108046	GUARN. SUPP. MOTORE IDR. G.3 / 3,5	HYDR. MOT. SUPP. GASKET - G. 3 /3.5	1	n
CA127	5050903003	TAPPO D 1/8" - DIN 906	PLUG - D 1/8"	2	n
CA154	5050107125	VITE M10X110 TCEI	SCREW - M10X110 TCEI	1	n
CA155	4020107028	PRESA CALETTATA FORO Ø32 CH.10 - Ø1"3/8	SPLINED HUB HOLE Ø32 - KEY 10 - Ø 1" 3/8	1	n
CA156	4010601101	COPERCHIO ANTERIORE / D - CE	FRONT COVER / D - CE	1	n
CA157	5050707031	CHIAVETTA 10X8X40	KEY - 10X8X40	1	n
CA158	5030300032	PARAOLIO 45X60X10	OIL SEAL - 45X60X10	1	n
CA159	5050207034	RONDELLA DI SICUREZZA Ø10	SECURITY WASHER - Ø10	1	n
CA165	5040303030	VALVOLA UNIDIREZIONALE D 3/4" BALLAST	UNIDIRECTIONAL VALVE D 3/4" BALLAST	2	n
CA166	5080005004	FILTRO ARIA VALV.UNID.3/4"	AIR FILTER - ONE-WAY VALVE 3/4"	2	n
CA174/A	6080200219	MOTORE IDR. KM 30.27	HYDRAULIC MOTOR KM 30.27	1	n
CA174/B	6080200056	MOTORE IDR. KM 30.43	HYDRAULIC MOTOR KM 30.43	1	n
CA174/C	6080200057	MOTORE IDR. KM 30.51	HYDRAULIC MOTOR KM 30.51	1	n
CA175	5050107054	VITE M 10X35 TE	SCREW - M 10X35 TE	4	n
CA192	5050207004	RONDELLA - D 10	SMOOTH WASHER - D 10	4	n
CA193	4010801043	MANIGLIA CON ATTACCO QUADRATO	HANDLE SQUARE CONNECTION	1	n
CA194	5050300016	DADO AUTOB. M 10X1,5 VARGAL UNI 9319	SELF-LOCKING NUT - M 10X1 VARGAL	1	n
CA195	5050207008	RONDELLA TRANCIATA D 10X40	BLANK WASHER - D 10X40	1	n
CA196	4012007015	MOLLA PIATTELLO BALLAST-AIDA	SPRING FOR POPPET VALVE BALLAST-AIDA	1	n
CA197	4011707114	GUIDA PIATTELLO BALLAST-AIDA	GUIDE FOR POPPET VALVE BALLAST-AIDA	1	n
CA198	4010401085	FLANGIA SUPPORTO PIATTELLO BALL.3,5-7500	FLANGE SUPPORT CHECK VALVE-BALL3,5-7500	1	n
CA199	4010006033	PIATTELLO COMPLETO BALLAST3,5-4,5-6-7500	POPPET VALVE -BALLAST3500-4500-6000-7500	1	n
CA200	4030109061	GUARN. FERMO PIATTELLO BALLAST 3,5-7500	POPPET V. LOCK GASKET - BALLAST 3,5-7500	1	n
CA213/A	6010201092	KIT REVISIONE POMPA BALLAST 3500	REBUILD KIT - BALLAST 3500	1	n
CA213/B	6010201093	KIT REVISIONE POMPA BALLAST 4500	REBUILD KIT - BALLAST 4500	1	n
CA213/C	6010201094	KIT REVISIONE POMPA BALLAST 6000	REBUILD KIT - BALLAST 6000	1	n
CA213/D	6010201084	KIT REVISIONE POMPA BALLAST 7500	REBUILD KIT - BALLAST 7500	1	n

CODE	ARTICLE	DESCRIZIONE	DESCRIPTION	Q.TY	UM
CA214	5040300031	RIDUZIONE 3/4"X1/2" M/M	REDUCTION - 3/4"X1/2" M/M	2	n
LUBR_OIL	5070200100	OLIO BATTIONI PAGANI POMPE (5LT)	BATTIONI PAGANI VACUUM PUMP OIL (5LT)	1	n
		<b>LUBRIFICAZIONE AUTOMATICA</b>	<b>AUTOMATIC LUBRICATION</b>		
LA1	4010601022	COPERCHIO POSTERIORE POMPA OLIO MEC LA	OIL PUMP SUPPORT BACK COVER - MEC L.A.	1	n
LA2	4010006002	GIUNTO DI COLLEGAMENTO	CONNECTOR JOINT	1	n
LA4	4030108011	GUARN. POMPA OLIO L.A.	OIL PUMP GASKET - L.A.	1	n
LA7	5050107005	VITE M 6X16 TE	SCREW - M 6X16 TE	5	n
LA12	5040303007	RACCORDO D 1/8"X6X90° RILSAN	CONNECTOR - D 1/8"X6X90° RILSAN	2	n
LA15	5040303008	RACCORDO D 1/8"X4X90° RILSAN	CONNECTOR - D 1/8"X4X90° RILSAN	4	n
LA20	5050812001	INGRASSATORE M 10X1	LUBRICATOR - M10X1	1	n
LA24	5030210028	ANELLO TENUTA OR 2337-85.34X1.78	SEAL RING - OR 2337	1	n
LA23	5050207002	RONDELLA Ø 6	SMOOTH WASHER - Ø 6	5	n
LA26	5050903001	TAPPO M 10X1 - DIN 906	PLUG M 10X1 - DIN 906	1	n
LA27	5050906001	TAPPO 1/4" GAS	TAPPO 1/4" GAS	1	n
LA28	5050202003	RONDELLA 1/4" GAS ALLUMINIO	ALUMINIUM WASHER - 1/4" GAS	1	n
LB5/D	5080200036	POMPA LA 2 MAND. AL DX IIS	OIL PUMP - LA 2 WAYS AL DX IIS	1	n
LB5/S	5080200038	POMPA LA 2 MAND. AL SX IIS	OIL PUMP - LA 2 WAYS AL SX IIS	1	n
LB12	5040303011	RACCORDO DRITTO D 1/8"X6 RILSAN	STRAIGHT CONNECTOR - D 1/8"X6 RILSAN	1	n
LA49	5080105004	TUBO LUBRIFICAZIONE D 2X4 - PTFE	LUBRICATION HOSE - D 2X4 - PTFE	0,29	m
LA50	5080105004	TUBO LUBRIFICAZIONE D 2X4 - PTFE	LUBRICATION HOSE - D 2X4 - PTFE	0,69	m
LA51	5080105003	TUBO LUBRIFICAZIONE D 4X6 - PTFE	SUCTION HOSE - D 4X6 - PTFE	0,26	m
LA52	4010007080	FASCETTA STRINGITUBO	HOSE CLAMP	1	n



Battioni®  
Pagani

*Setting the pace since 1953*

0	01.05.2021	1° EMISSIONE	PROG	R DT	AM
REV.	DATA	MOTIVO	PREPARATO	APPROVATO	AUTORIZZATO



Battioni®  
Pagani

*Setting the pace since 1953*

Via Cav. Enzo Ferrari, 2  
43058 Ramoscello di Sorbolo (PR) - Italy

Ph. +39 0521 663203

Fax +39 0521 663206



[www.bapag.it](http://www.bapag.it)  
[info@bapag.it](mailto:info@bapag.it)