

Catalogo generale ricambi

General spare parts catalogue

Catalogue générale des pièces de rechange

Ersatzteile-katalog

Catálogo de piezas



Battioni®
Pagani

Setting the pace since 1953

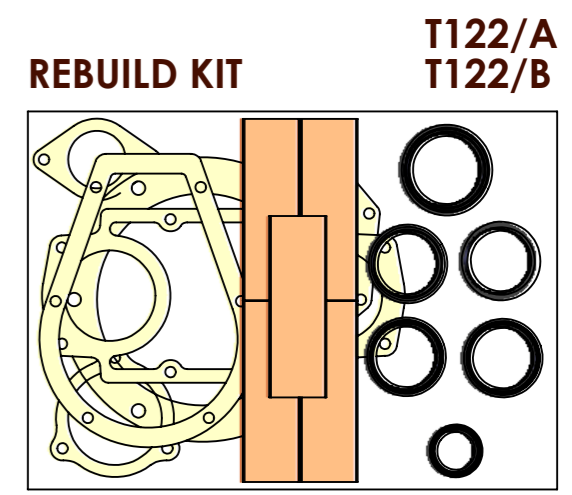
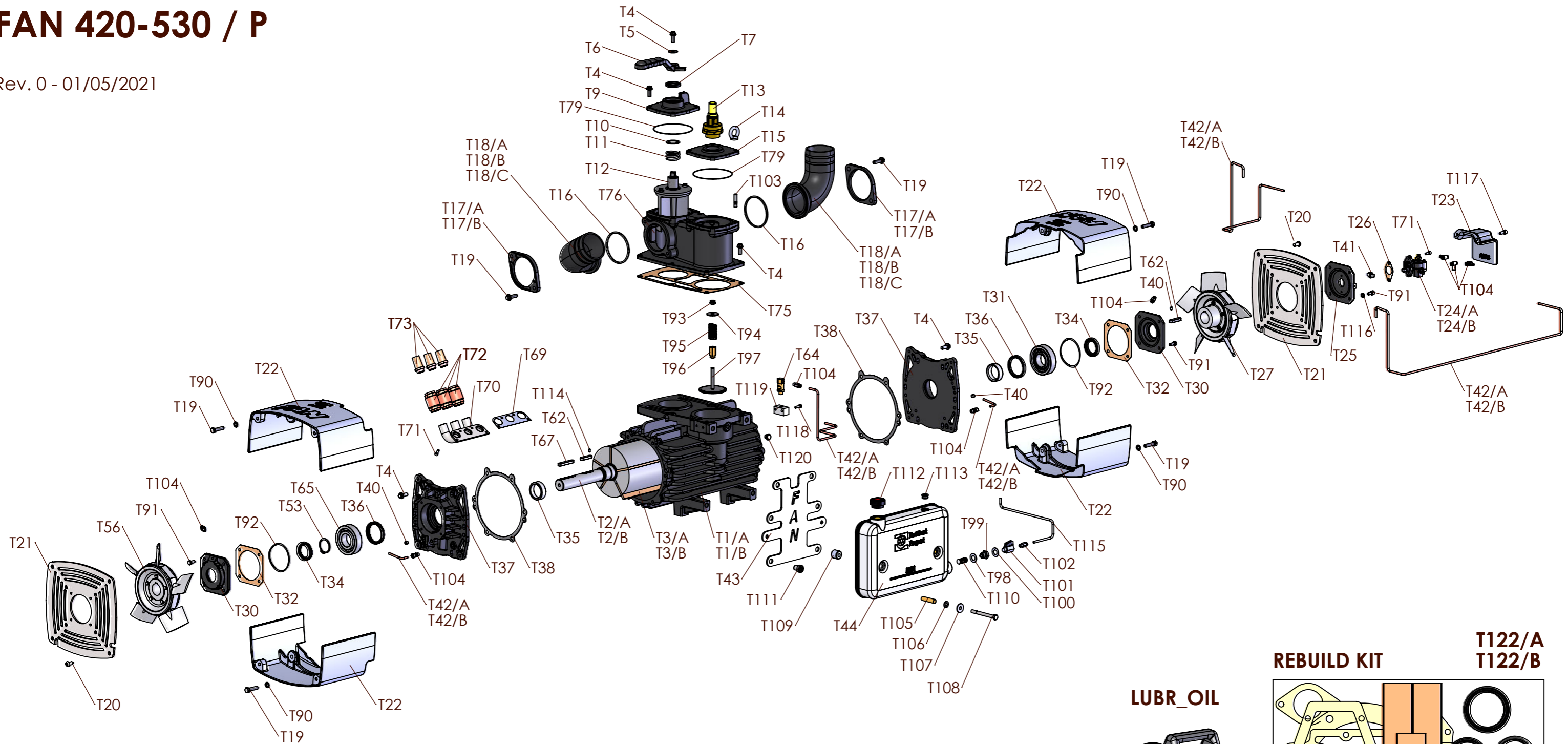
2021



Battioni® Pagani

FAN 420-530 / P

Rev. 0 - 01/05/2021

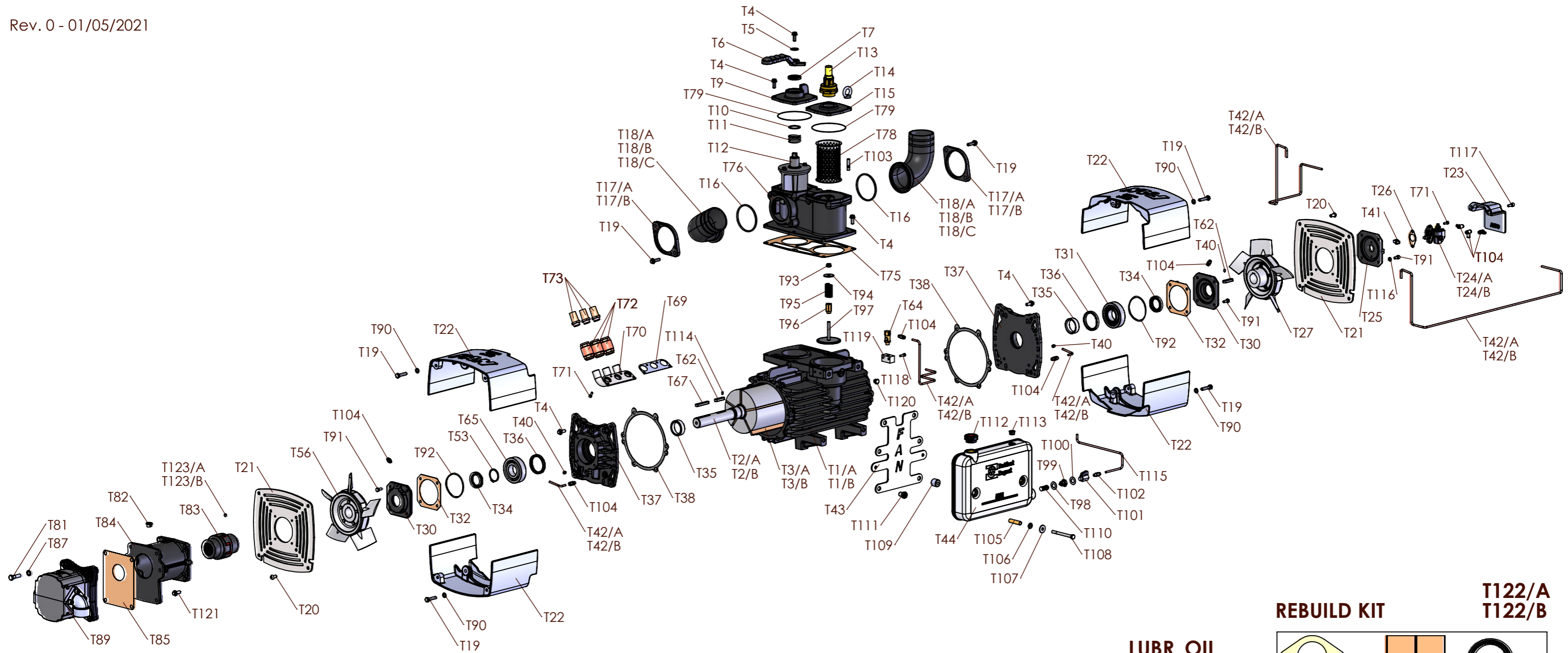




Battioni® Pagani

FAN 420-530 / H

Rev. 0 - 01/05/2021

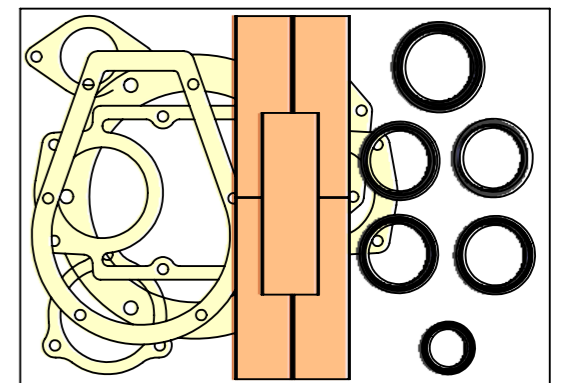


LUBR_OIL



REBUILD KIT

**T122/A
T122/B**



CODE	ARTICLE	DESCRIZIONE	DESCRIPTION	Q.TY	UM
T1/A	4010101172	CORPO POMPA FAN 530 BALLAST	HOUSING - FAN 530 BALLAST	1	n
T1/B	4010101179	CORPO POMPA FAN 420 BALLAST	HOUSING - FAN 420 BALLAST	1	n
T2/A	4010220217	ROTORE FAN 530	ROTOR - FAN 530	1	n
T2/B	4010220224	ROTORE FAN 420	ROTOR - FAN 420	1	n
T3/A	4070113196	PALETTA EM 4300 MEC 11000 370X60X6,5 - 420	EM 4300 BLADE - MEC 11000 370X60X6,5 - 420	5	n
T3/B	4070113197	PALETTA EM 4300 MEC 13500 460X60X6,5 - 530	EM 4300 BLADE - MEC 13500 460X60X6,5 - 530	5	n
T4	5050107109	VITE M 10X25 TEF - DIN 6921 ISO 8100	SCREW - M 10X25 TEF - DIN 6921 ISO 8100	23	n
T5	5050207008	RONDELLA TRANCIATA Ø 10X40	BLANK WASHER - Ø 10X40	1	n
T6	4010801043	MANIGLIA CON ATTACCO QUADRATO	HANDLE SQUARE CONNECTION	1	n
T7	5030300015	PARAOILIO 35X50X7 TC	OIL SEAL - 35X50X7	1	n
T9	4010601186	COPERCHIO CILINDRO INVERT. BALLAST 16000	REVERSING GEAR COVER - BALLAST 16000	1	n
T10	5050207031	RONDELLA PER CONO INVERT. MEC 9-11-13500	TEFLON WASHER REV.GEAR MEC 9-11-13500	1	n
T11	4012007011	MOLLA MEC 9-11-13500	SPRING - MEC 9-11-13500	1	n
T12	4010701021	CILINDRO INVERTITORE COLLETTORE Ø 100	REVERSING GEAR - MANIFOLD Ø 100	1	n
T13	5040303016	VALVOLA UNIDIREZIONALE Ø 1/8" X6	ONE-WAY VALVE - Ø 1/8" X6	1	n
T14	5051206003	GOLFARE FEMMINA M 10 - CE-ZINCATO-DIN580	FEMALE EYEBOLT - M 10 - CE GALVANIZED	4	n
T15	4010601179	COPERCHIO FILTRO BALLAST 16000-KPS-FAN	FILTER COVER BALLAST 16000-KPS-FAN	1	n
T16	5030210008	ANELLO TENUTA OR 189 STAR UL	SEAL RING - OR 189 STAR UL	2	n
T17/A	4010406017	FLANGIA PREMIGURVA Ø 80 - SE/STAR	FLANGE FOR ELBOW - STAR Ø 80	2	n
T17/B	4010406015	FLANGIA PREMIGURVA Ø 100 - SE/STAR	FLANGE FOR ELBOW - STAR Ø 100	2	n
T18/A	4010901018	CURVA SCAR. ORIENT.MEC 9_13500-STAR D 76	REVOLVING ELBOW - MEC 9_13500-STAR D 76	2	n
T18/B	4010901019	CURVA SCAR. ORIENT.MEC 9_13500-STAR D 80	REVOLVING ELBOW - MEC 9_13500-STAR D 80	2	n
T18/C	4010901020	CURVA SCAR. ORIENT.MEC 9_13500-STAR D 100	REVOLVING ELBOW - MEC 9_13500-STAR D 100	2	n
T19	5050107054	VITE M 10X35 TE	SCREW - M 10X35 TE	4	n
T20	5050107166	VITE M 10X20 TBEI - ZINCATA - ISO 7380	GALVANIZED SCREW M 10X20 TBEI	4	n
T21	4060505070	LAMIERA PROTEZIONE POSTERIORE FAN	REAR SHIELD SHEETMETAL - FAN	2	n
T22	4060505069	CONVOGLIATORE SIMMETRICO FAN	SYMMETRICAL CONVEYOR - FAN	2	n
T23	4060505060	PROTEZIONE POMPA LA BALLAST 16000-FAN	AUTOMATIC LUBRIC.PUMP GUARD BAL16000-FAN	1	n
T24/A	5080200036	POMPA LA 2 MAND. AL DX IIS	OIL PUMP - LA 2 WAYS AL DX IIS	1	n
T24/B	5080200038	POMPA LA 2 MAND. AL SX IIS	OIL PUMP - LA 2 WAYS AL SX IIS	1	n
T25	4010601133	COPERCHIO POSTERIORE WPT-KPS/P-D	BACK COVER - WPT-KPS /P-D	1	n
T26	4030108011	GUARN. POMPA OLIO L.A.	OIL PUMP GASKET - L.A.	1	n
T27	4060505072	VENTOLA POSTERIORE DESTRA FAN	FAN REAR CW - FAN	1	n
T29	5050107055	VITE M 10X45 TCEI	SCREW - M 10X45 TCEI	4	n
T30	4010601133	COPERCHIO ANT. E POST. WPT-KPS/P-D	FRONT & BACK COVER - WPT-KPS /P-D	1	n
T31	5012107049	CUSCINETTO A RULLI NU 309 - SKF	ROLL BEARING NU 309 - SKF	1	n
T32	4030108023	GUARN. COPERCHIO ANT. E POST. WPT-KPS	BACK COVER GASKET - WPT-KPS	1	n
T33	5030210083	ANELLO TENUTA Ø 133.02X2.62 OR3525	SEAL RING - Ø 133.02X2.62 OR3525	2	n
T34	5030300014	PARAOILIO 40X62X10	OIL SEAL - 40X62X10	1	n
T35	4011707124	BOCCOLA ROTORE 60X48X18.7 FAN	ROTOR BUSHING 60X48X18.7 - FAN	1	n
T36	5030300036	PARAOILIO 60X75X10 DCP - FKM	OIL SEAL - 60X75X10 DCP - FKM	2	n
T37	4010401084	FLANGIA POST. FAN	BACK FLANGE FAN	1	n
T38	4030109058	GUARN. FLANGIA FAN	FLANGE GASKET - FAN	1	n
T39	4010006026	PIATTELLO COMPLETO BALLAST 16000	POPPET VALVE - BALLAST 16000	1	n
T40	5050903003	TAPPO Ø 1/8" - DIN 906	PLUG - Ø 1/8"	2	n
T41	4010006002	GIUNTO DI COLLEGAMENTO L.F.	CONNECTOR JOINT - L.F.	1	n
T42/A	6090100002	KIT TUBI BRAIDED - FAN 420	BRAIDED HOSE KIT - FAN 420	1	n
T42/B	6090100001	KIT TUBI BRAIDED - FAN 530	BRAIDED HOSE KIT - FAN 530	1	n
T43	4011001113	SUPPORTO SERBATOIO STAMPATO FAN	SIDE TANK SUPPORT - FAN 12-15000	1	n
T44	4011406012	SERBATOIO OLIO STAMPATO	OIL TANK THERMOFORMED	1	n
T45	5050107109	VITE M10X25 TEF - DIN 6921 ISO 8100	SCREW - M10X25 TEF - DIN 6921 ISO 8100	4	n
T48	5060605005	TAPPO NERO Ø 1"1/2 GAS	BLACK CAP - Ø 1"1/2	1	n
T53	5050507012	ANELLO SEEGER Ø 45 E	CIRCLIP - Ø 45 E	1	n
T56	4060505071	VENTOLA ANTERIORE DESTRA FAN	FAN FRONT CW - FAN	1	n
T59	5050107166	VITE M10X20 TBEI - ZINCATA - ISO 7380	GALVANIZED SCREW M10X20 TBEI	4	n
T60	4010007074	BLOCCHETTO SPIA OLIO KPS 490-FAN	CHECK LIGHT HOLDER - KPS 490/FAN	1	n
T61	5050107055	VITE M10X45 TCEI	SCREW - M10X45 TCEI	4	n
T62	5050707028	CHIAVETTA 12X8X50	KEY - 12X8X50	1	n

CODE	ARTICLE	DESCRIZIONE	DESCRIPTION	Q.TY	UM
T63	5050207038	RONDELLA Ø 10X25X1,5 - UNI 1739	SMOOTH WASHER - Ø 10X25X1,5 - UNI 1739	2	n
T64	5040200010	SPIA DI CONTROLLO FORO Ø 1/8" WSM	CHECK LIGHT - Ø 1/8" HOLE WSM	1	n
T65	5012107052	CUSCINETTO A SFERE 6309 - SKF	BALL BEARING 6309 - SKF	1	n
T66	5040303016	VALVOLA UNIDIREZIONALE Ø 1/8" X6	ONE-WAY VALVE - Ø 1/8" X6	1	n
T67	5050707019	CHIAVETTA 12X8X70	KEY - 12X8X70	1	n
T68	5040303020	RACCORDO DRITTO Ø 1/8"X6 RAME	CONNECTOR - Ø 1/8"X6 COPPER	6	n
T69	4030110028	GUARN. BALLAST2 MEC 11000-13500	GASKET BALLAST2 MEC 11000-13500	1	n
T70	4010007057	CONDOTTO BALLAST 11000-13500	DUCT BALLAST 11000-13500	1	n
T71	5050107008	VITE M 6X16 TCEI	SCREW - M 6X16 TCEI	6	n
T72	5040303030	VALVOLA UNIDIREZIONALE D 3/4" BALLAST	UNIDIRECTIONAL VALVE D 3/4" BALLAST	3	n
T73	5080005004	FILTRO ARIA VALV. UNID. 3/4"	AIR FILTER - ONE-WAY VALVE 3/4"	3	n
T74	5050107008	VITE M 6X16 TCEI	SCREW - M 6X16 TCEI	1	n
T75	4030109059	GUARN. COLLETTORE KPS490-FAN	MANIFOLD GASKET - KPS 490-FAN	1	n
T76	4010501033	COLLETTORE BALLAST 16000	MANIFOLD BALLAST 16000	1	n
T77	5050107109	VITE M 10X25 TEF - DIN 6921 ISO 8100	SCREW - M 10X25 TEF - DIN 6921 ISO 8100	6	n
T78	4060505057	CARTUCCIA FILTRO COLLETTORE BALLAST16000	MANIFOLD FILTER CARTRIDGE BALLAST 16000	1	n
T79	5030210083	ANELLO TENUTA Ø 133.02X2.62 OR3525	SEAL RING Ø 133.02X2.62 OR3525	1	n
T80	5051206004	GOLFARE MASCHIO M 12 - CE - DIN 580	MALE EYEBOLT - M 12 - CE	1	n
T81	5050107195	VITE ZINCATA M 12X45 TE	GALVANIZED SCREW - M 12X45 TE	4	n
T82	4460001037	TAPPO PVC 3/8" GAS	PLUG - PVC 3/8" GAS	2	n
T83	5020707029	GIUNTO EL. COLLEGAMENTO Ø 42/55 -TRASCO	COUPLING JOINT - Ø 42/55 TRASCO	1	n
T84	4011001128	SUPPORTO MOTORE IDR. FAN H	HYDR. MOTOR SUPPORT - FAN H	1	n
T85	4030108028	GUARN. SUPP. MOTORE IDR. GRUPPO 4	HYDRAULIC MOTOR SUPPORT GASKET - GR4	1	n
T86	5040303017	RACCORDO Ø 1/8"X6X90 RAME	CONNECTOR - Ø 1/8"X6X90 COPPER	6	n
T87	5050207025	RONDELLA Ø 12 ZINCATA	GALVANIZED FLAT WASHER - Ø 12	8	n
T89	6080200061	MOTORE IDR. KM 40.87 SO GR.4 COMPL.	HYDRAULIC MOTOR KM 40.87 SO GR.4	1	n
T90	5050207004	RONDELLA Ø 10	SMOOTH WASHER Ø 10	4	n
T91	5050107009	VITE M8X20 TE	SCREW M8X20 TE	12	n
T92	5012207003	ANELLO DI COMPENSAZIONE Ø 100	COMPRESSION THRUST RING Ø 100	2	n
T93	5050300016	DADO AUTOBLOCCANTE M10X1,5 VERGAL	SELF-LOCKING NUT M 10X1,5 VERGAL	1	n
T94	5050207008	RONDELLA TRANCIATA D 10X40	BLANK WASHER - D 10X40	1	n
T95	4012007015	MOLLA PIATTELLO BALLAST-AIDA	SPRING FOR VALVE BALLAST-AIDA	1	n
T96	4011707114	GUIDA PIATTELLO BALLAST-AIDA	GUIDE FOR VALVE BALLAST-AIDA	1	n
T97	4010006026	PIATTELLO COMPLETO BALLAST 16000	VALVE FOR BALLAST 16000	1	n
T98	5050202002	RONDELLA Ø10X16 ALLUMINIO	ALUMINIUM WASHER Ø10X16	1	n
T99	4460001077	RIDUZIONE F/M 1/8"-1/4"	REDUCTION F/M 1/8"-1/4"	1	n
T100	5050202003	RONDELLA 1/4" GAS	WASHER 1/4" GAS	1	n
T101	5040200001	RUBINETTO SERBATOIO OLIO Ø 1/4" GAS	OIL TANK DRAIN COCK - Ø 1/4" GAS	1	n
T102	5040303015	RACCORDO DRITTO 1/4"X6	CONNECTOR 1/4"X6	1	n
T103	4050412015	PRIGIONIERO M10X30	STUD BOLT M10X30	4	n
T104	5040303032	RACCORDO 1/8" F-FAN	CONNECTOR 1/8" F-FAN	5	n
T105	4011707113	INSERTO IN OTTONE SERBATOIO PLASTICA	INSERT BRESS OIL TANK	2	n
T106	4060310005	RONDELLA IN GOMMA Ø25,9X15X3	RUBBER WASHER Ø 25,9X15X3	2	n
T107	5050207038	RONDELLA Ø 10X25X1,5 - UNI 1739	SMOOTH WASHER Ø 10X25X1,5 - UNI 1739	2	n
T108	5050107106	VITE ZINCATA M10X100 TE	GALVANIZED SCREW M10X100 TE	2	n
T109	4011707112	DISTANZIALE SERBATOIO IN PLASTICA	SPACER FOR PLASTIC TANK	2	n
T110	5080005001	FILTRO OLIO	OIL FILTER	1	n
T111	5050107162	VITE M16X20 TCEI	SCREW M16X20 TCEI	4	n
T112	5060605014	TAPPO CARICO OLIO 1" GAS	OIL PLUG 1" GAS	1	n
T113	4060310001	PASSATUBO CHIUSO	CLOSED TUBE PASS	1	n
T114	5051007001	GRANO M6X10	DOWEL M6X10	1	n
T115	5080105002	TUBO LUBRIFICAZIONE Ø4X6 RILSAN	SUCTION HOSE Ø4X6 RILSAN	0,4	m
T116	5050207003	RONDELLA Ø 8	SMOOTH WASHER Ø 8	4	n
T117	5050107016	VITE M8X25 TCEI	SCREW M 8X25 TCEI	2	n
T118	5050107167	VITE M6X20 TCEI	SCREW M6X20 TCEI	2	n
T119	4010007074	BLOCCHETTO SPIA OLIO FAN	CHECK LIGHT HOLDER FAN	1	n
T120	5050906001	TAPPO 1/4" GAS	PLUG 1/4" GAS	1	n
T121	5050107149	VITE M12X25 TE ZINCATA	GALVANIZED SCREW M12X25 TE	4	n

CODE	ARTICLE	DESCRIZIONE	DESCRIPTION	Q.TY	UM
T122/A	6010201090	KIT REVISIONE POMPA FAN 420 LONG LIFE	REBUILD KIT - FAN 420 LONG LIFE	1	n
T122/B	6010201091	KIT REVISIONE POMPA FAN 530 LONG LIFE	REBUILD KIT - FAN 530 LONG LIFE	1	n
T123/A	5051007028	GRANO M10X10 P.C.	DOWEL M10X10 P.C.	2	n
T123/B	5051007022	GRANO M8X10 P.C.	DOWEL M8X10 P.C.	2	n
LUBR_OIL	5070200100	OLIO BATTIONI PAGANI (5LT)	BATTIONI PAGANI VACUUM PUMP OIL (5LT)	1	n



Battioni®
Pagani

Setting the pace since 1953

0	01.05.2021	1° EMISSIONE	PROG	R DT	AM
REV.	DATA	MOTIVO	PREPARATO	APPROVATO	AUTORIZZATO



Battioni®
Pagani

Setting the pace since 1953

Via Cav. Enzo Ferrari, 2
43058 Ramoscello di Sorbolo (PR) - Italy

Ph. +39 0521 663203

Fax +39 0521 663206



www.bapag.it
info@bapag.it