

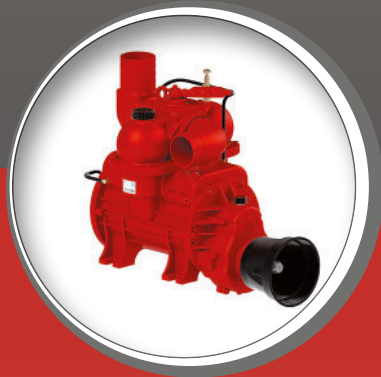
Catalogo generale ricambi

General spare parts catalogue

Catalogue générale des pièces de rechange

Ersatzteile-katalog

Catálogo de piezas



Battioni®
Pagani

Setting the pace since 1953

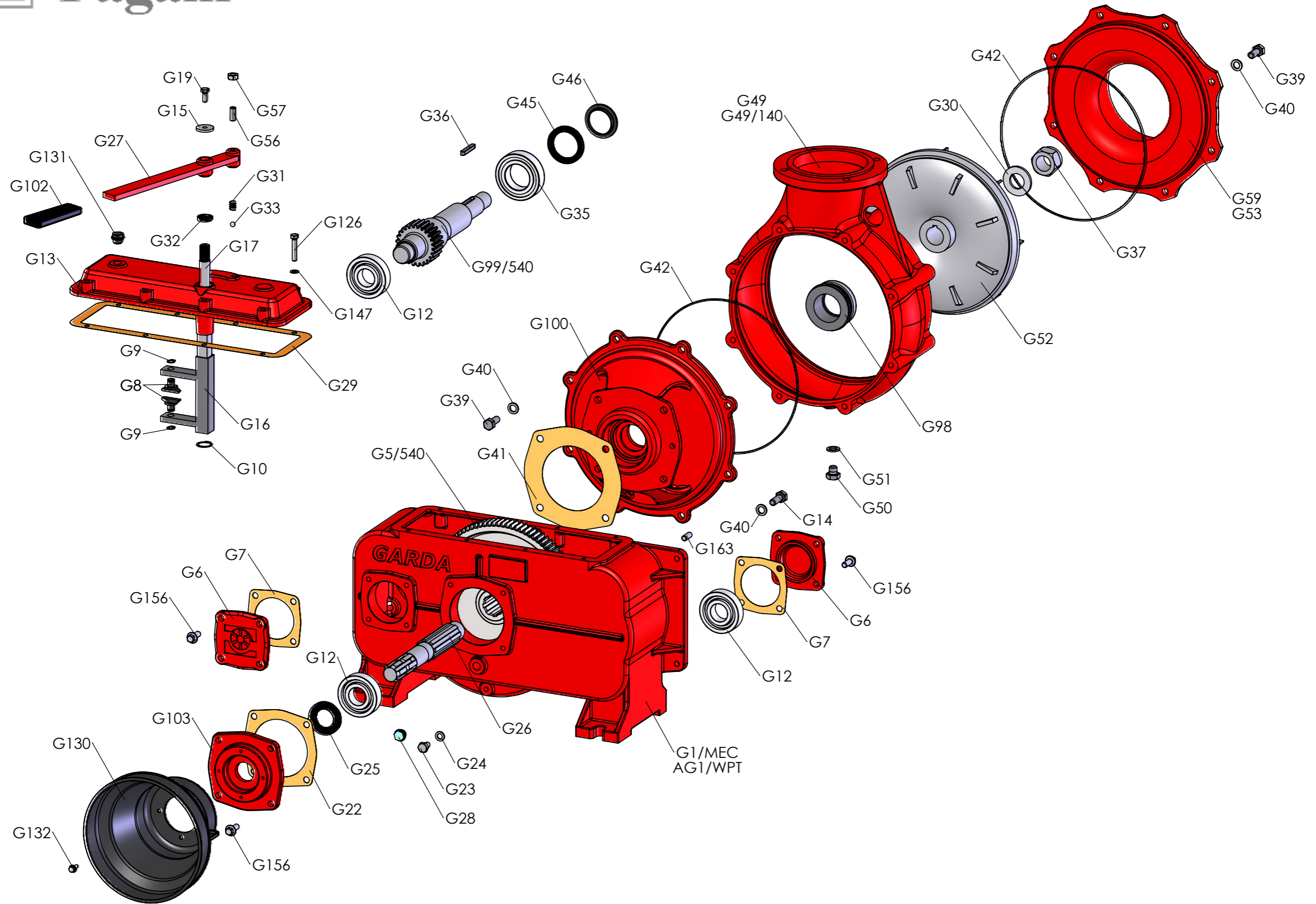
2021



Battioni®
Pagani

GARDA 6500 (540 rpm) WITH MECHANICAL SEAL

Rev. 0 - 01/05/2021

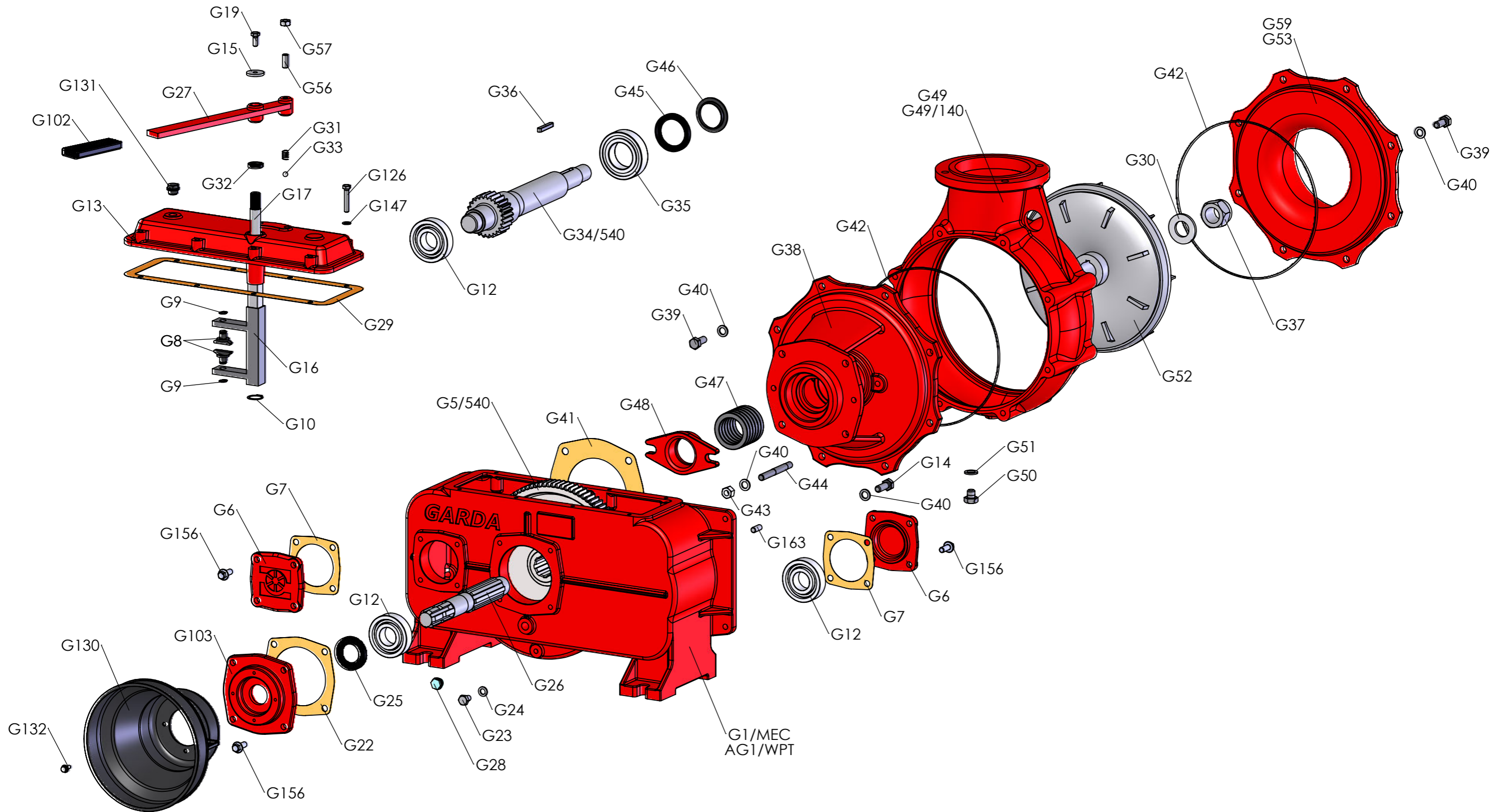




Battioni®
Pagani

GARDA 6500 (540 rpm) WITH PRESHAPED RING

Rev. 0 - 01/05/2021



CODE	ARTICLE	DESCRIZIONE	DESCRIPTION	Q.TY	UM
G1/MEC	4010301004	SCATOLA MOLT. GARDA / MEC	GEARBOX - GARDA / MEC	1	n
AG1/WPT	4010301005	SCATOLA MOLT. GARDA / WPT-STAR	GEARBOX - GARDA / WPT-STAR	1	n
G5/540	4020807001	RUOTA CENTRALE GARDA Z97-M3	CENTRAL WHEEL - Z97-M3 GARDA	1	n
G6	4010601020	COPERCHIO ANTERIORE E POST. GARDA	FRONT AND REAR COVER - GARDA	2	n
G7	4030108008	GUARN. COPERCHIO ANT. E POST. GARDA	FRONT AND BACK COVER GASKET - GARDA	2	n
G8	4010007001	PATTINO CAMBIO GARDA - LEDRA	SHOE FOR GEAR - GARDA - LEDRA	2	n
G9	5050507002	ANELLO SEEGER D 12 E	CIRCLIP - D 12 E	1	n
G10	5050507003	ANELLO SEEGER D 25 E	CIRCLIP - D 25 E	1	n
G12	5012107010	CUSCINETTO A SFERE 6307	BALL BEARING - 6307	3	n
G13	4010601021	COPERCHIO SCATOLA MOLTIPLICATORE GARDA	GEARBOX COVER - GARDA	1	n
G14	5050107028	VITE M 12X35 TE	SCREW - M 12X35 TE	4	n
G15	5050207009	RONDELLA TRANCIATA D 8X32	BLANK WASHER - D 8X32	1	n
G16	4010006001	FORCELLA CAMBIO GARDA	GEARSHIFT FORK - GARDA	1	n
G17	4011907001	PERNO CAMBIO GARDA	GEAR PIN - GARDA	1	n
G19	5050107009	VITE M 8X20 TE	SCREW - M 8X20 TE	7	n
G20	5050207004	RONDELLA D 10	SMOOTH WASHER - D 10	20	n
G22	4030108009	GUARN. COPERCHIO ANT. GARDA	FRONT COVER GASKET - GARDA	1	n
G23	5050107018	VITE M 10X16 TE	SCREW - M 10X16 TE	1	n
G24	5050202002	RONDELLA D 10X16X1,5 ALLUMINIO	ALUMINIUM WASHER - D 10X16X1,5	1	n
G25	5030300005	PARAOLIO 35X62X10	OIL SEAL - 35X62X10	1	n
G26	4020907001	ALBERO CENTRALE CALETTATO GARDA	SPLINED CENTRAL SHAFT - GARDA	2	n
G27	4010801003	LEVA CAMBIO GARDA	GEAR LEVER - GARDA	1	n
G28	5060105004	TAPPO LIVELLO OLIO D 3/8" GAS	OIL LEVEL PLUG - D 3/8" GAS	1	n
G29	4030109007	GUARN. COPERCHIO SCATOLA GARDA	GEARBOX COVER GASKET - GARDA	1	n
G30	5050207010	RONDELLA TRANCIATA D 30X56X4	BLANK WASHER - D 30X56X4	2	n
G31	4012007003	MOLLA GARDA	SPRING - GARDA	1	n
G32	5030300008	PARAOLIO 19X27X6	OIL SEAL - 19X27X6	1	n
G33	5010007002	SFERA IN ACCIAIO D 8.73	STEEL BALL - D 8.73	1	n
G34/540	4020907002	ALBERO CENTRIFUGA GARDA 6500 CG	CENTRIFUGAL SHAFT - GARDA 6500 CG	1	n
G35	5012107014	CUSCINETTO A SFERE 4210 A	BALL BEARING - 4210 A	1	n
G36	5050707007	CHIAVETTA 8X7X50	KEY - 8X7X50	1	n
G37	5050300003	DADO AUTOBLOCCANTE M 30X2X25	SELF-LOCKING NUT - M 30X2X25	1	n
G38	4011001001	SUPPORTO CHIOCCIOLA GARDA 6500 CG	SCROLL SUPPORT - GARDA 6500 CG	1	n
G39	5050107027	VITE M 12X30 TE	SCREW - M 12X30 TE	16	n
G40	5050207005	RONDELLA D 12	SMOOTH WASHER - D 12	24	n
G41	4030108010	GUARN. SUPP. CHIOCCIOLA GARDA	SCROLL SUPPORT GASKET - GARDA	1	n
G42	5030210001	ANELLO TENUTA D 291.69X3.53 GARDA 6500	SEAL RING - D 291.69X3.53 GARDA 6500	2	n
G43	5050307004	DADO M 12	NUT - M 12	2	n
G44	4050412001	PRIGIONIERO M 12X107	STUD BOLT - M 12X107	2	n
G45	5030300009	PARAOLIO 50X70X10	OIL SEAL - 50X70X10	1	n
G46	5030210015	ANELLO IN GOMMA HL 187 GARDA 6500	RUBBER RING - HL 187 GARDA 6500	1	n
G47	4030111001	ANELLO PREFORMATO D 50X70X10 GARDA 6500	PRESHAPED RING - D 50X70X10 GARDA 6500	6	n
G48	4011301001	PREMICORDA GARDA 6500	CORDHOLDER - GARDA 6500	1	n
G49	4011101001	CHIOCCIOLA GARDA 6500 - D 100	SCROLL - GARDA 6500	1	n
G49/140	4011101004	CHIOCCIOLA GARDA 6500 - D 140	SCROLL - GARDA 6500 - D 140	1	n
G50	5050906001	TAPPO D 1/4" GAS	PLUG - D 1/4" GAS	1	n
G51	5050202003	RONDELLA D 1/4" GAS ALLUMINIO	ALUMINIUM WASHER - D 1/4" GAS	1	n
G52	4011219001	GIRANTE GARDA 6500	IMPELLER - GARDA 6500	1	n
G53	4010401009	FLANGIA ESTERNA CHIOCC. 6500	SCROLL EXTERNAL FLANGE - 6500	1	n
G56	5051007005	GRANO M 10X25 P.P.	DOWEL - M 10X25 P.P.	1	n
G57	5050307003	DADO M 10	NUT - M 10	3	n
G59	4010401010	FLANGIA ESTERNA CHIOCC. 6500 C/PORTAG.	SCROLL EXTERNAL FLANGE WITH HOSE- 6500	1	n
G68	4011703001	BOCCOLA D 30X40X60 GARDA 3500	BUSHING - D 30X40X60 GARDA 3500	1	n
G71	4011101002	CHIOCCIOLA GARDA 3500	SCROLL - GARDA 3500	1	n
G72	5030210006	ANELLO TENUTA OR 4950 ELBA 3500	SEAL RING - OR 4950 ELBA 3500	1	n
G73	4011219002	GIRANTE GARDA 3500	IMPELLER - GARDA 3500	1	n
G74	4011001007	SUPPORTO CHIOCCIOLA GARDA 3500 CG	SCROLL SUPPORT - GARDA 3500 CG	1	n
G75	5030210017	ANELLO IN GOMMA HL 150 GARDA 3500	RUBBER RING - HL 150 GARDA 3500	1	n

CODE	ARTICLE	DESCRIZIONE	DESCRIPTION	Q.TY	UM
G77	5050107045	VITE M 12X30 TSEI	SCREW - M 12X30 TSEI	4	n
G78	4030111002	ANELLO PREFORMATO D 40X56X8 GARDA 3500	PRESHAPED RING - D 40X56X8 GARDA 3500	4	n
G79	4011301002	PREMISCORDA GARDA 3500	CORDHOLDER - GARDA 3500	1	n
G81	4050412012	PRIGIONIERO M 10X60	STUD BOLT - M 10X60	2	n
G82	4030108025	GUARN. SUPP. CHIOCCIOLA GARDA 3500	SCROLL SUPPORT GASKET - GARDA 3500	1	n
G84	4010401028	FLANGIA COLLEGAMENTO GARDA 3500	CONNECTION FLANGE - GARDA 3500	1	n
G85	4020907004	ALBERO CENTRIFUGA GARDA 3500 CG	CENTRIFUGAL SHAFT - GARDA 3500 CG	1	n
G86	5050707006	CHIAVETTA 8X7X35	KEY - 8X7X35	1	n
G88	4010401029	FLANGIA CHIUSURA GARDA CON TRANC.	CLOSING FLANGE - GARDA CUTT. DEV.	1	n
G89	4010006005	LAMA PER TRINCIATORE	BLADE FOR CUTTING DEVICE	1	n
G90	4010006006	CONTROLAMA PER TRINCIATORE	COUNTE-BLADE FOR CUTTING DEVICE	2	n
G91	4010401027	FLANGIA PORTALAMA GARDA CON TRANCIATORE	BLADE-HOLDER FLANGE - GARDA CUTT. DEV.	1	n
G92	4010007002	PROLUNGA TRINCIATORE	EXTENSION FOR CUTTING DEVICE	1	n
G92/140	4010007009	PROLUNGA TRANCIATORE CH. D140	CUTTING DEVICE EXTENSION - SCROLL D 150	1	n
G96	5050107021	VITE M 10X30 TE	SCREW - M 10X30 TE	6	n
G98	5030000003	TENUTA MECCANICA CENTRIFUGA GARDA 6500	MECHANICAL SEAL - GARDA 6500	1	n
G99/540	4020907010	ALBERO CENTRIFUGA GARDA 6500 TM	CENTRIFUGAL SHAFT - GARDA 6500 TM	1	n
G100	4011001033	SUPPORTO CHIOCCIOLA GARDA 6500 TM	SCROLL SUPPORT - GARDA 6500 TM	1	n
G102	5060010003	POMOLO MANIGLIA GARDA	HANDLE KNOB - GARDA/6500	1	n
G103	4010601122	COPERCHIO ANTERIORE MOLT. GARDA CE	GEARBOX FRONT COVER - GARDA CE	1	n
G107	4020907055	ALBERO CENTRIFUGA GARDA 3500 TM	CENTRIFUGAL SHAFT - GARDA 3500 TM	1	n
G108	5030000006	TENUTA MECCANICA CENTRIFUGA GARDA 3500	MECHANICAL SEAL - GARDA 3500	1	n
G109	4011001037	SUPPORTO CHIOCCIOLA GARDA 3500 TM	SCROLL SUPPORT - GARDA 3500 TM	1	n
G126	5050107093	VITE M 8X45 TE	SCREW - M 8X45 TE	8	n
G127	5050300002	DADO AUTOBLOCCANTE M 27X2X16	SELF-LOCKING NUT - M 27X2X16	1	n
G128	5050707004	CHIAVETTA 8X7X25	KEY - 8X7X25	1	n
G130	4060505018	PROTEZIONE ALBERO GARDA-LEDRA CE	SHAFT GUARD - GARDA-LEDRA CE	2	n
G131	5060605001	TAPPO CARICO OLIO 3/8" GAS	OIL PLUG - 3/8" GAS	1	n
G132	5050107084	VITE M 6x16 TEF - FL/ZIGR 8.8 -	SCREW - M 6X16 TEF	4	n
G156	5050107109	VITE M 10X25 TEF - FL/ZIGR 8.8 -	SCREW - M 10X25 TEF - FL/ZIGR 8.8	12	n
G157	5050107044	VITE M 10X20 TCEI	SCREW - M 10X20 TCEI	4	n
G160	4011707061	DISTANZIALE D 35,5X45X1 PER ALB. CENTR.	SPACER - D35,5X45X1	1	n
G163	5050906013	TAPPO D 3/8" GAS	PLUG D 3/8" GAS	1	n



Battioni®
Pagani

Setting the pace since 1953

0	01.05.2021	1° EMISSIONE	PROG	R DT	AM
REV.	DATA	MOTIVO	PREPARATO	APPROVATO	AUTORIZZATO



Battioni®
Pagani

Setting the pace since 1953

Via Cav. Enzo Ferrari, 2
43058 Ramoscello di Sorbolo (PR) - Italy

Ph. +39 0521 663203

Fax +39 0521 663206



www.bapag.it
info@bapag.it