

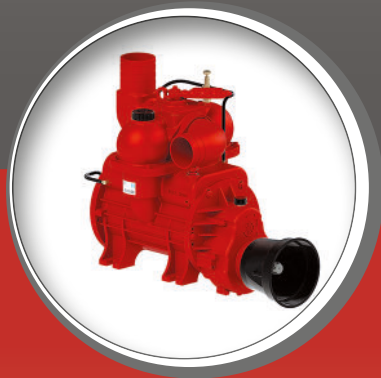
## Catalogo generale ricambi

General spare parts catalogue

Catalogue générale des pièces de rechange

Ersatzteile-katalog

Catálogo de piezas



**Battioni®**  
**Pagani**

*Setting the pace since 1953*

# 2021

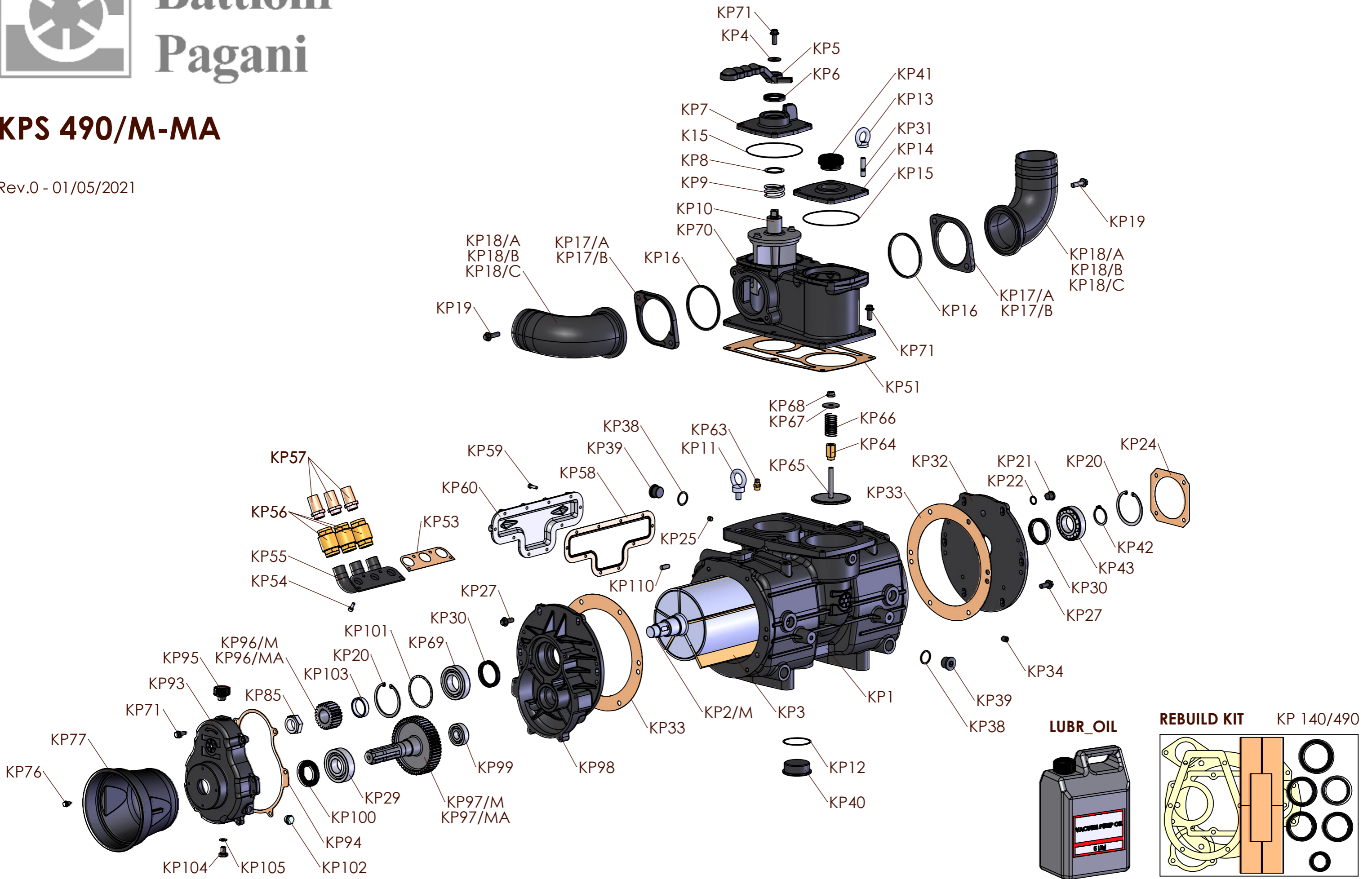




**Battioni®**  
**Pagani**

# KPS 490/M-MA

Rev.0 - 01/05/2021

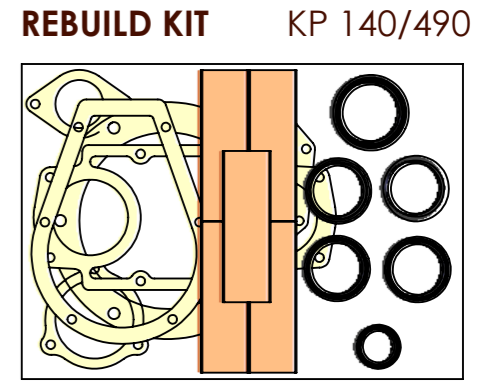
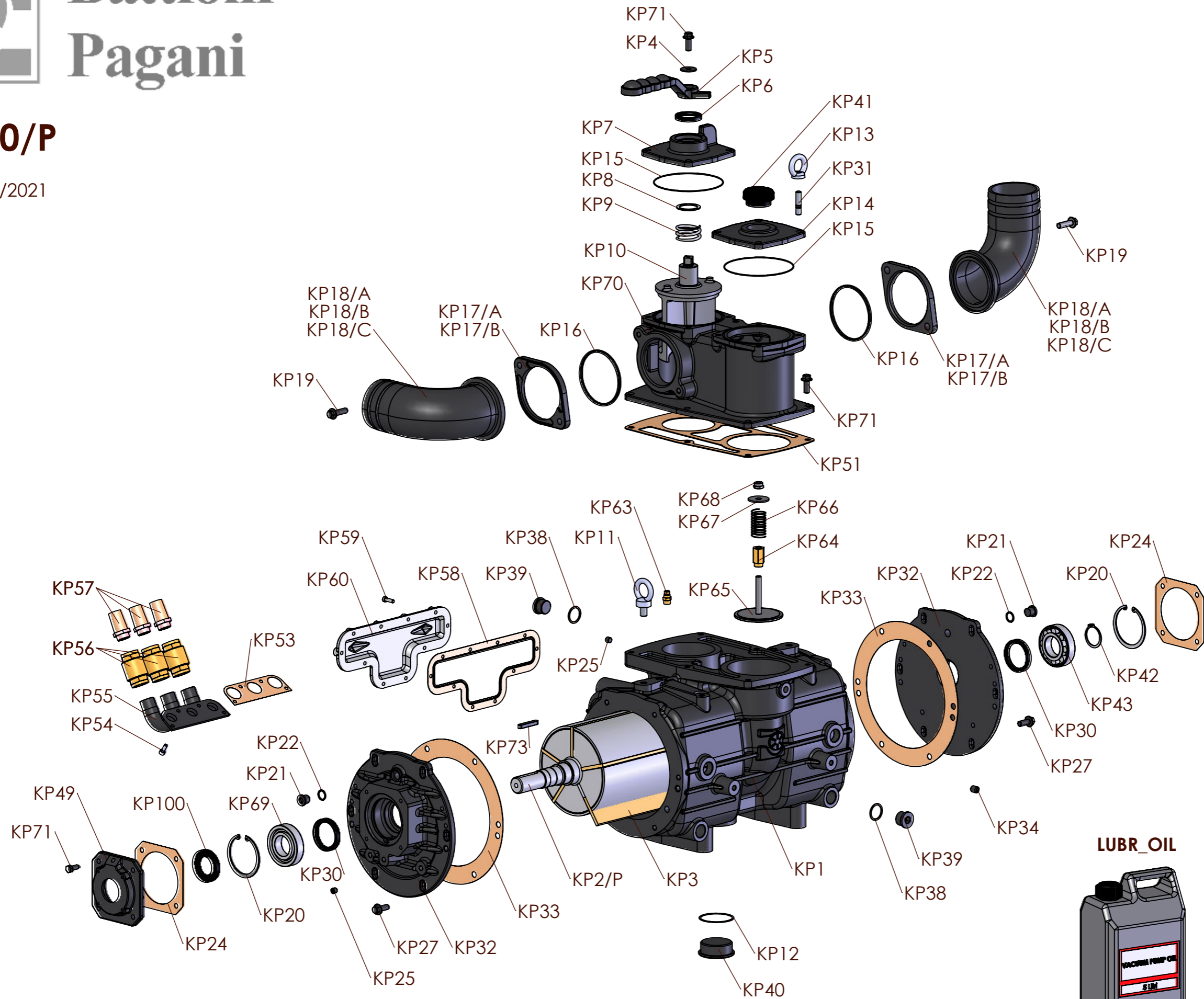




# Battioni® Pagani

## KPS 490/P

Rev.0 - 01/05/2021

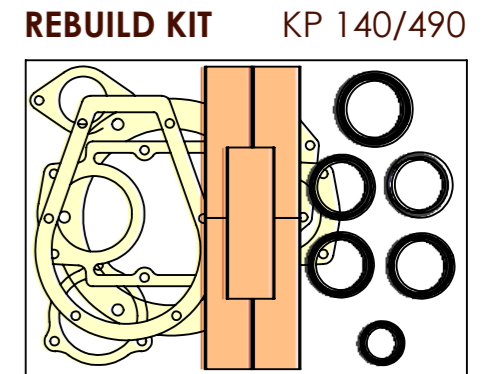
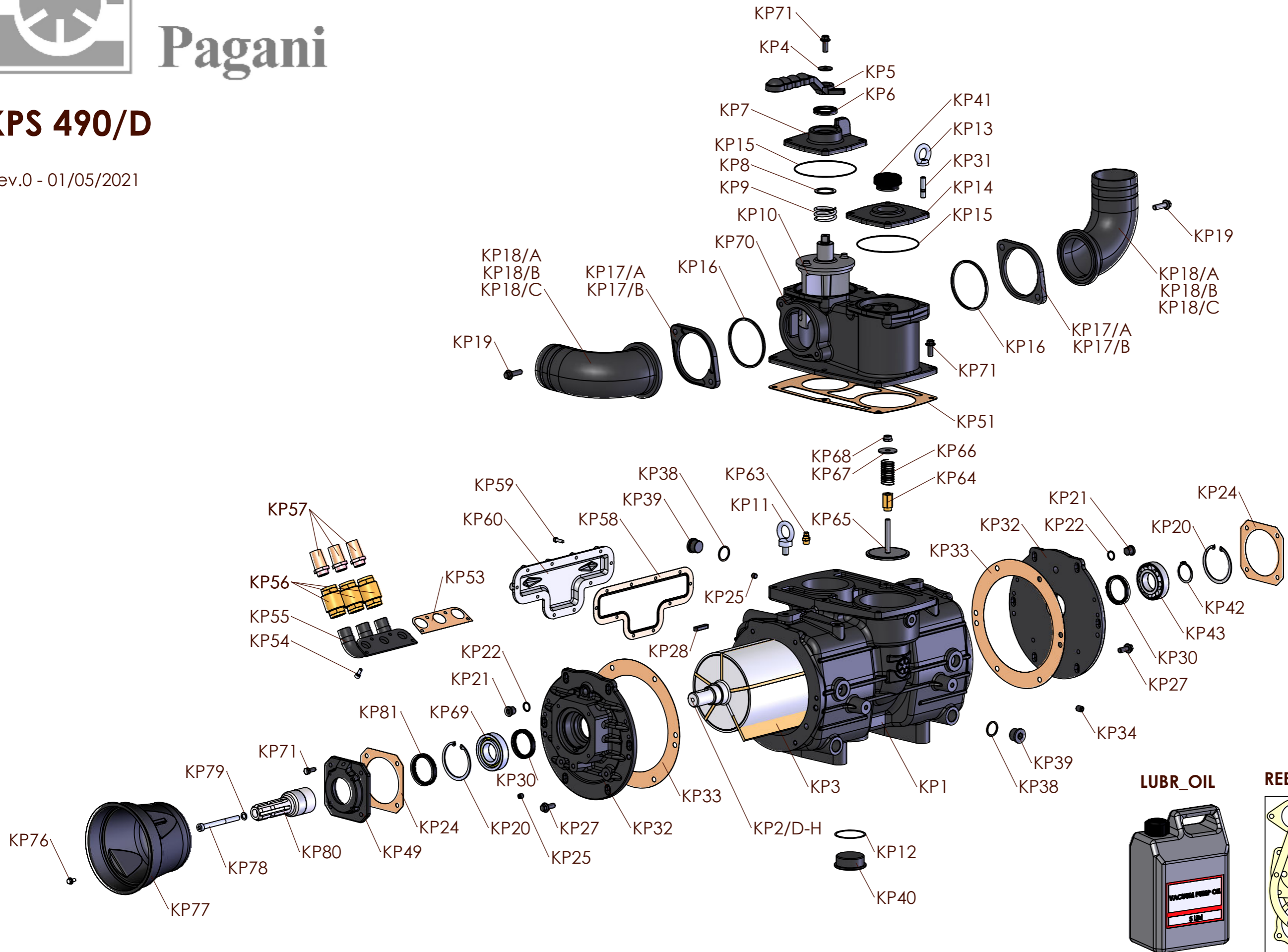




# Battioni® Pagani

## KPS 490/D

Rev.0 - 01/05/2021

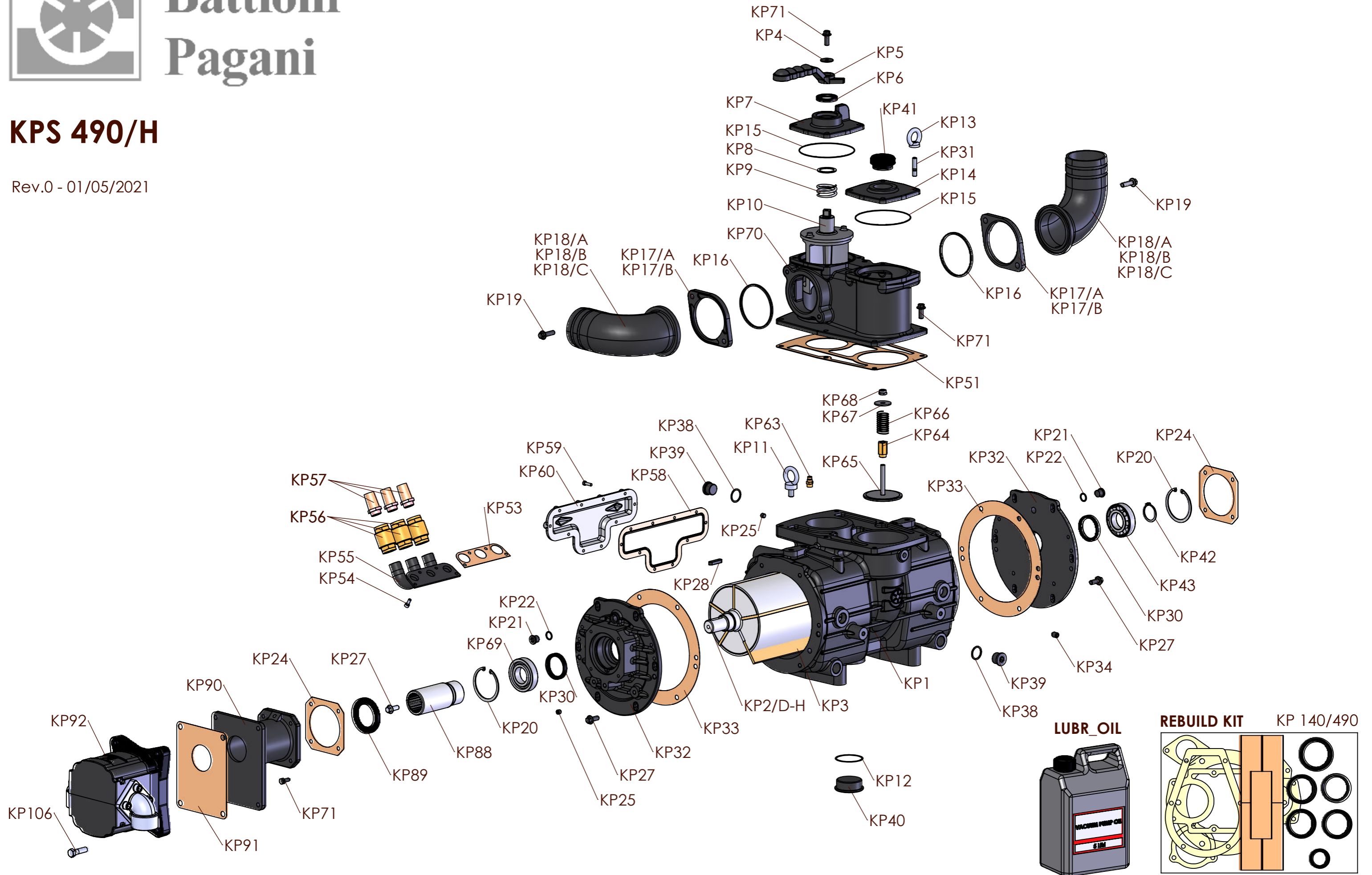




# Battioni® Pagani

## KPS 490/H

Rev.0 - 01/05/2021

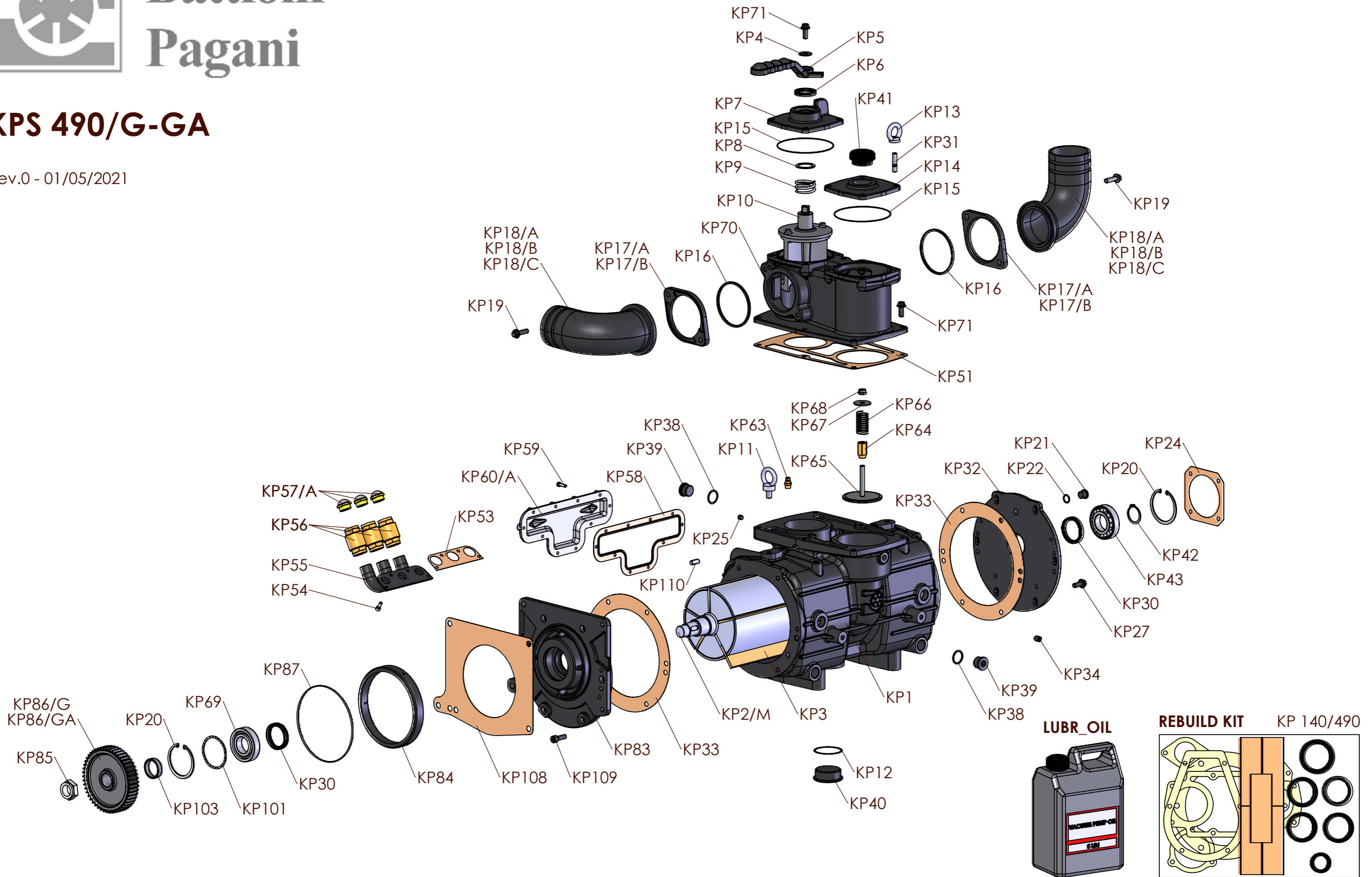




# Battioni® Pagani

## KPS 490/G-GA

Rev.0 - 01/05/2021





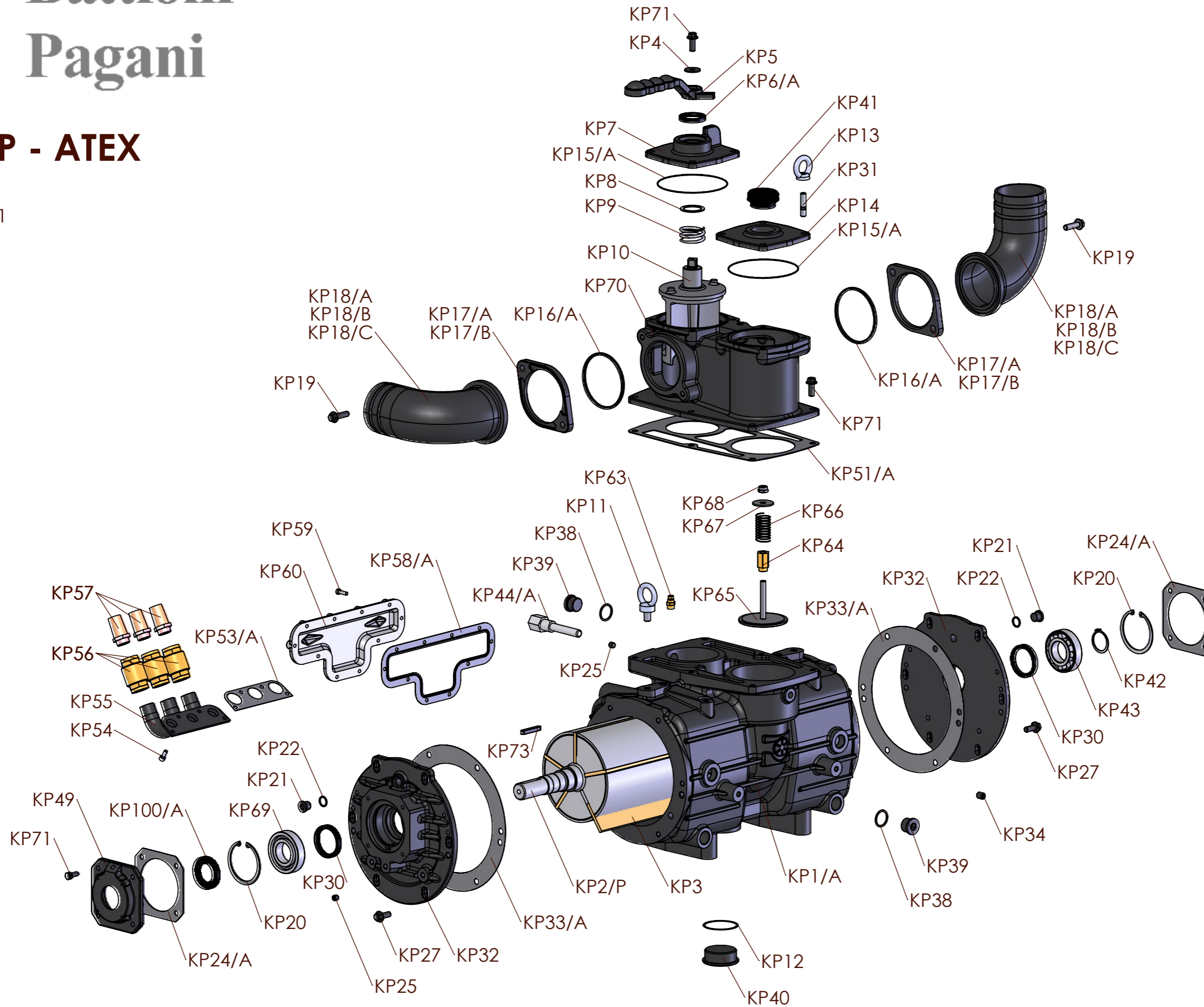




# Battioni® Pagani

## KPS 490/P - ATEX

Rev.0 - 01/05/2021



LUBR\_OIL

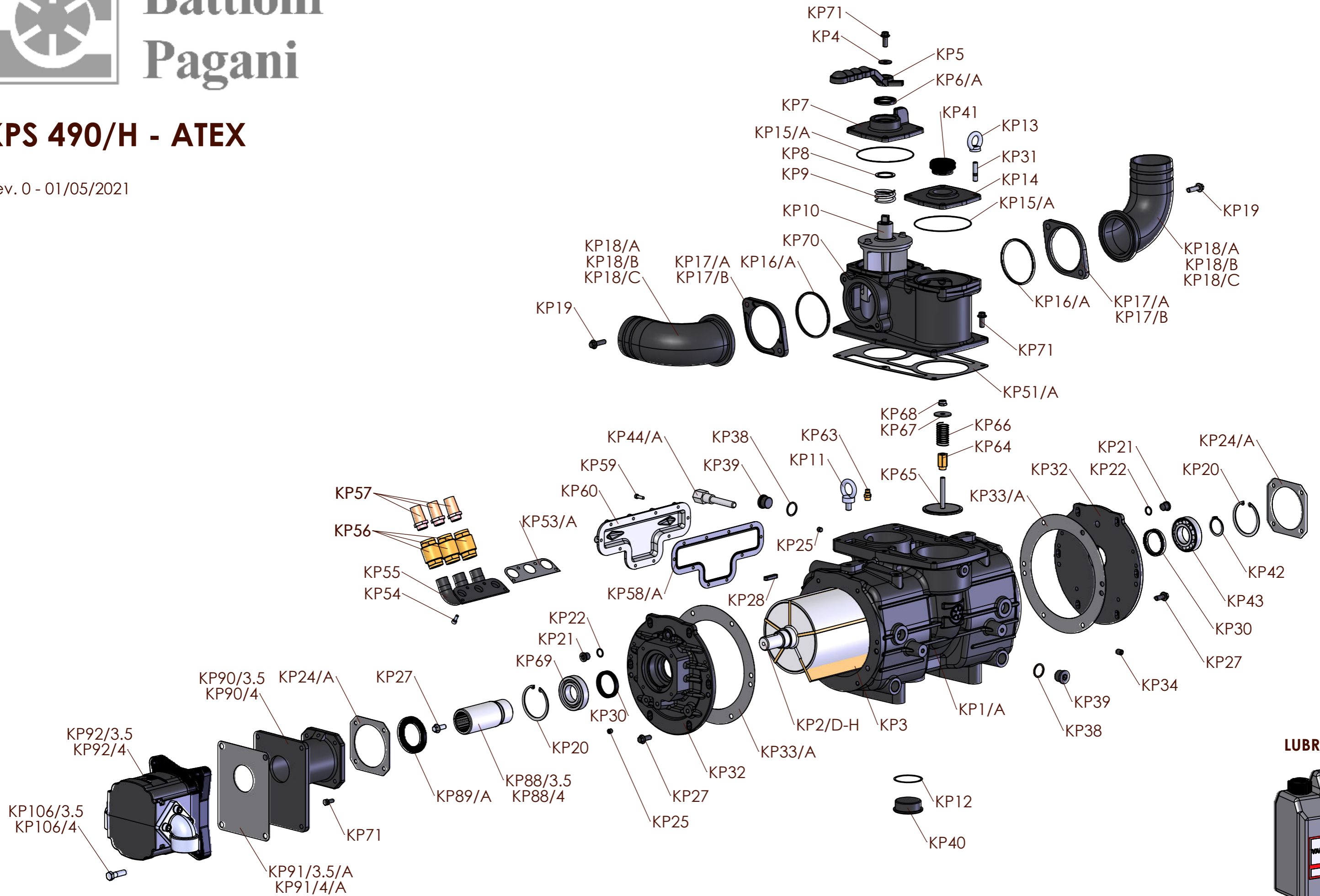




# Battioni® Pagani

## KPS 490/H - ATEX

Rev. 0 - 01/05/2021

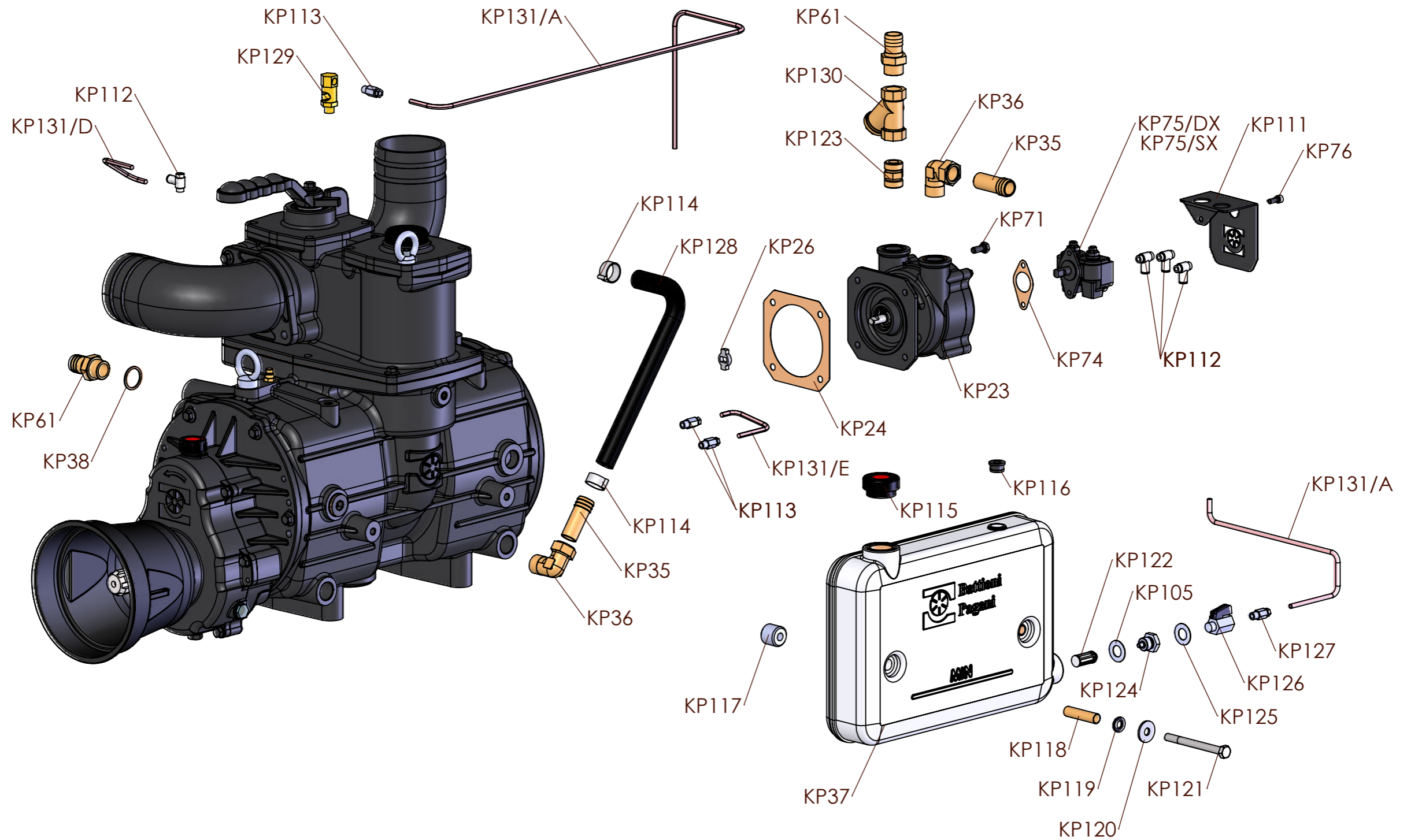




**Battioni®**  
**Pagani**

# COOLING L.A. KPS 490 / M-MA-K-KA-G-GA

Rev.0 - 01/05/2021

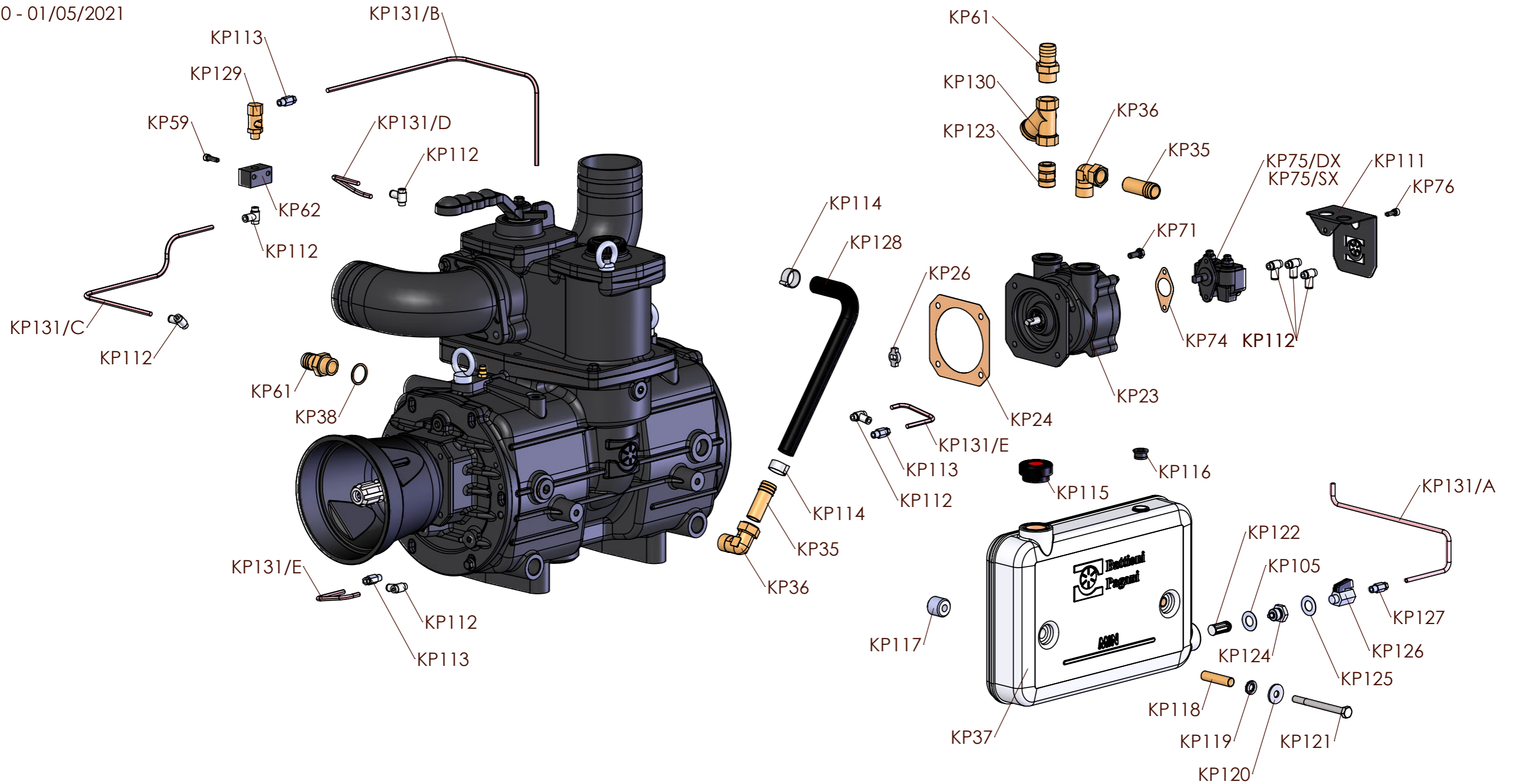




**Battioni®**  
**Pagani**

# COOLING L.A. KPS 490 / P-D-H

Rev. 0 - 01/05/2021

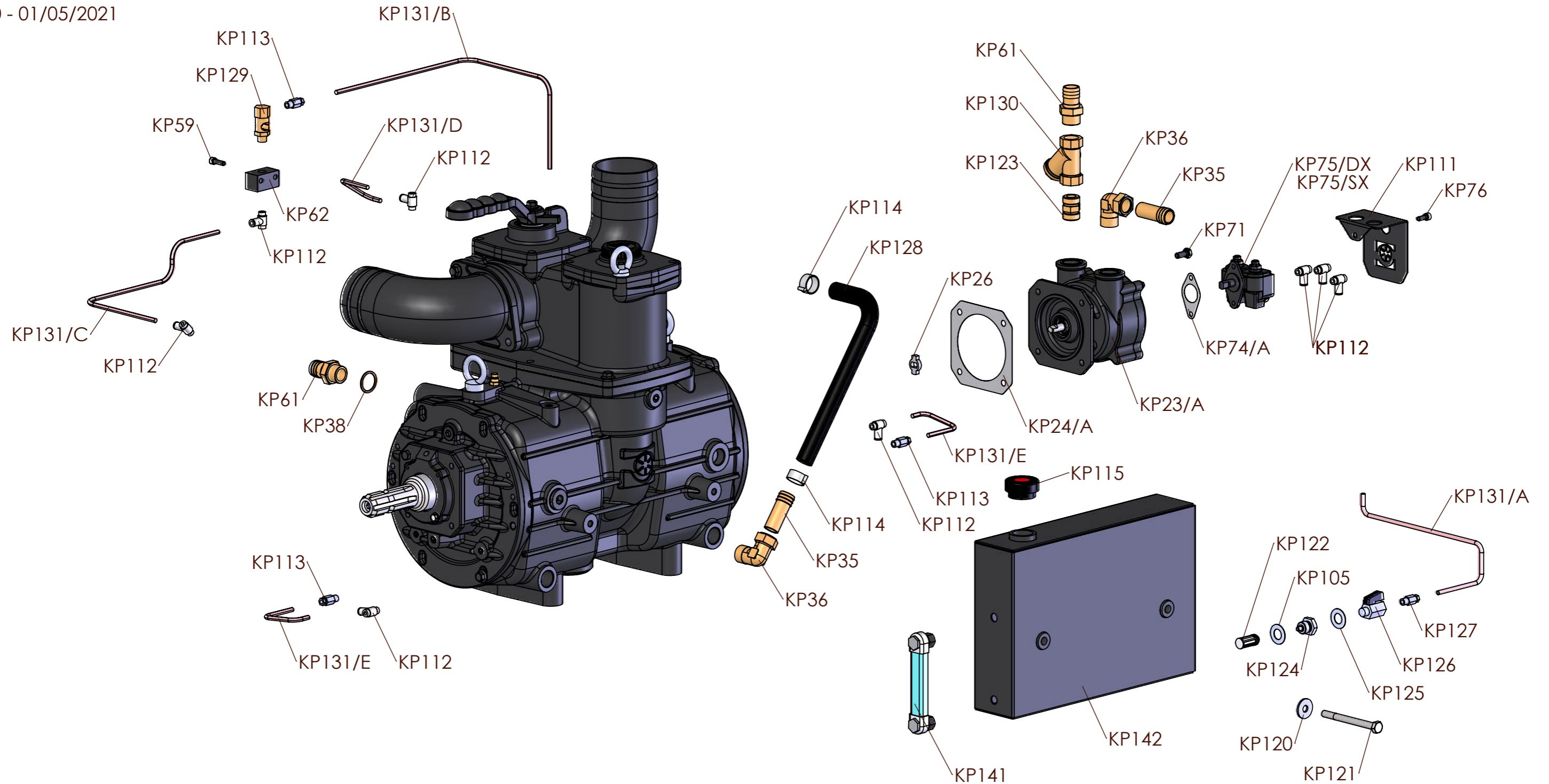




**Battioni®**  
**Pagani**

# COOLING L.A. ATEX KPS 490 / P-H

Rev.0 - 01/05/2021



CODE	ARTICLE	DESCRIZIONE	DESCRIPTION	Q.TY	UM
KP1	4010101171	CORPO POMPA KPS 490 BALLAST	BODY KPS 490 BALLAST	1	n
KP1/A	4010101196	CORPO POMPA KPS 490 BALLAST - ATEX	BODY KPS 490 BALLAST - ATEX	1	n
KP2/D-H	4010220171	ROTORE MEC 13500/D-H CH10	DRIVE ROTOR MEC 13500/D-H CH10	1	n
KP2/P	4010220149	ROTORE MEC 13500/P	DRIVE ROTOR MEC 13500/P	1	n
KP2/M	4010220177	ROTORE MEC 13500/M CH10	DRIVE ROTOR MEC 13500/M CH10	1	n
KP3	4070113197	PALETTA EM 4300 MEC 13500 460X60X6,5	EM 4300 MEC 13500 BLADE 460X60X6,5	5	n
KP4	5050207022	RONDELLA Ø 8X23X4 - DIN 6340	WASHER Ø 8X23X4 - DIN 6340	1	n
KP5	4010801043	MANIGLIA CON ATTACCO QUADRATO	HANDLE SQUARE CONNECTION	1	n
KP6	5030300015	PARAOILIO 35X50X7 TC	OIL SEAL 35X50X7 TC	1	n
KP6/A	5030300053	PARAOILIO 35X50X7 TC - FKM	OIL SEAL 35X50X7 TC - FKM	1	n
KP7	4010601186	COPERCHIO CILINDRO INVERT. BALLAST 16000	REVERSING GEAR COVER BALLAST 16000	1	n
KP8	5050207031	RONDELLA PER CONO INVERT. MEC 9-11-13500	TEFLON WASHER REV. GEAR MEC 9-11-13500	1	n
KP9	4012007011	MOLLA MEC 9-11-13500	SPRING MEC 9-11-13500	1	n
KP10	4010701021	CILINDRO INVERTITORE COLLETTORE Ø 100	REVERSING GEAR - MANIFOLD Ø 100	1	n
KP11	5051206004	GOLFARE MASCHIO M 12 - CE - DIN 580	MALE EYEBOLT M 12 - CE - DIN 580	1	n
KP12	5050202006	RONDELLA Ø 2" GAS ALLUMINIO	WASHER Ø 2" GAS - ALUMINIUM	1	n
KP13	5051206003	GOLFARE FEMMINA M 10 - CE-ZINCATO-DIN580	FEMALE EYEBOLT - M 10 - CE GALVANIZED	4	n
KP14	4010601179	COPERCHIO FILTRO BALLAST 16000-KPS	FILTER COVER BALLAST 16000-KPS	1	n
KP15	5030210083	ANELLO TENUTA Ø 133.02X2.62 OR3525	SEAL RING - Ø 133.02X2.62 OR3525	2	n
KP15/A	5030210096	ANELLO TENUTA Ø 133.02X2.62 OR3525 - FKM	SEAL RING - Ø 133.02X2.62 OR3525 - FKM	2	n
KP16	5030210008	ANELLO TENUTA OR 189 STAR UL	SEAL RING - OR 189 STAR UL	2	n
KP16/A	5030210095	ANELLO TENUTA OR 189 - FKM	SEAL RING - OR 189 - FKM	2	n
KP17/A	4010406017	FLANGIA PREMIGURVA Ø 80 - STAR	FLANGE FOR ELBOW Ø 80 - STAR	2	n
KP17/B	4010406015	FLANGIA PREMIGURVA Ø 100 - STAR	FLANGE FOR ELBOW Ø 100 - STAR	2	n
KP18/A	4010901018	CURVA SCAR. ORIENT. MEC 9_13500-STAR Ø76	REVOLVING ELBOW MEC 9_13500-STAR Ø76	2	n
KP18/B	4010901019	CURVA SCAR. ORIENT. MEC 9_13500-STAR Ø80	REVOLVING ELBOW MEC 9_13500-STAR Ø80	2	n
KP18/C	4010901020	CURVA SCAR. ORIENT. MEC 9_13500-STAR Ø100	REVOLVING ELBOW MEC 9_13500-STAR Ø100	2	n
KP19	5050107054	VITE M 10X35 TE	SCREW M 10X35 TE	4	n
KP20	5050507011	ANELLO SEEGER Ø 80 I	CIRCLIP Ø 80 I	2	n
KP21	5050906006	TAPPO Ø 16x1.5 - DIN 908	PLUG Ø 16x1.5 - DIN 908	2	n
KP22	5050202007	RONDELLA Ø 16X20X1,5 ALLUMINIO	WASHER Ø 16X20X1,5 ALLUMINIUM	2	n
KP23	6080200387	POMPA RA KPS 490 COMPLETA	COMPLETE RA KPS 490 PUMP	1	n
KP23/A	6080200505	POMPA RA KPS 490 COMPLETA - ATEX	COMPLETE RA KPS 490 PUMP - ATEX	1	n
KP24	4030108023	GUARN. COPERCHIO ANT. E POST. WPT-KPS	BACK COVER GASKET - WPT-KPS	2	n
KP24/A	4030108075	GUARN. COPERCHIO ANT. E POST. WPT-KPS - ATEX	BACK COVER GASKET - WPT-KPS - ATEX	2	n
KP25	5050903003	TAPPO Ø 1/8" - DIN 906	PLUG - Ø 1/8" - DIN 906	2	n
KP26	4010006002	GIUNTO DI COLLEGAMENTO L.F.	CONNECTOR JOINT - L.F.	1	n
KP27	5050107109	VITE M 10X25 TEF	SCREW M 10X25TEF	12	n
KP28	5050707031	CHIAVETTA 10X8X40	KEY 10X8X40	1	n
KP29	5012107040	CUSCINETTO A SFERE 6307 SKF	ROLL BEARING 6307 SKF	1	n
KP30	5030300048	PARAOILIO - 54X68X10 TC	OIL SEAL - 54X68X10 TC	1	n
KP31	4050412015	PRIGIONIERO M10X30	STUD BOLT M10X30	4	n
KP32	4010401083	FLANGIA ANT. POST. KPS 490	FLANGE ANT. POST. KPS 490	2	n
KP33	4030108048	GUARN. FLANGIA MEC 9-11-13500	FLANGE GASKET MEC 9-11-13500	2	n
KP33/A	4030108058	GUARN. FLANGIA MEC 9-11-13500 - ATEX	FLANGE GASKET MEC 9-11-13500 - ATEX	2	n
KP34	5050906001	TAPPO Ø 1/4" GAS	PLUG Ø 1/4" GAS	2	n
KP35	5040300004	RACCORDO COMPLETO Ø 3/4"X22X90 RA KTS	CONNECTOR Ø 3/4"X22X90 RA KTS	2	n
KP36	4011707087	RACCORDO PORTATUBO Ø 25	CONNECTOR Ø 25	2	n
KP37	4011406012	SERBATOIO OLIO STAMPATO	OIL TANK	1	n
KP38	5050202013	RONDELLA Ø 3/4"X32,5 RAME	WASHER Ø 3/4"X32,5	4	n
KP39	5050906010	TAPPO Ø 3/4" GAS - DIN 908	PLUG Ø 3/4" GAS - DIN 908	4	n
KP40	5050906007	TAPPO Ø 2" GAS - DIN 908	PLUG Ø 2" GAS - DIN 908	1	n
KP41	5060605005	TAPPO Ø 1"1/2 GAS	PLUG Ø 1"1/2 GAS	1	n
KP42	5050507017	ANELLO SEEGER Ø 40 E - DIN 471	CIRCLIP Ø 40 E - DIN 471	1	n
KP43	5012107054	CUSCINETTO A RULLI NU 208 ECP - SKF	BEARING NU 208 ECP - SKF	1	n
KP44/A	5090000123	TERMOSTATO - POZZ. 1/2" GAS	TEMPERATURE SWITCH - POZZ. 1/2" GAS	1	n
KP45	4010601191	COPERCHIO ANTERIORE KPS/D	FRONT COVER KPS/D	1	n
KP49	4010601133	COPERCHIO ANTERIORE WPT-KPS/P	FRONT COVER WPT-KPS/P	1	n

CODE	ARTICLE	DESCRIZIONE	DESCRIPTION	Q.TY	UM
KP51	4030109059	GUARN. COLLETTORE KPS490	MANIFOLD GASKET KPS490	1	n
KP51/A	4030109066	GUARN. COLLETTORE KPS490 - ATEX	MANIFOLD GASKET KPS490 - ATEX	1	n
KP53	4030110028	GUARN. BALLAST2 MEC 11000-13500	GASKET BALLAST2 MEC 11000-13500	1	n
KP54	5050107005	VITE M 6X16 TE	SCREW M 6X16 TE	2	n
KP55	4010007057	CONDOTTO BALLAST2 MEC 11000-13500	DUCT BALLAST 11000-13500	1	n
KP56	5040303030	VALVOLA UNIDIREZIONALE Ø 3/4" BALLAST	UNIDIRECTIONAL VALVE Ø 3/4" BALLAST	3	n
KP57	5080005004	FILTRO ARIA VALV. UNID. 3/4"	AIR FILTER - ONE-WAY VALVE 3/4"	3	n
KP57/A	5080005005	FILTRO ARIA VALV. UNID. 3/4" QUADRATO	AIR FILTER - ONE-WAY VALVE 3/4" SQUARE	3	n
KP58	4030109054	GUARN. COPERCHIO LATERALE KPS	SIDE COVER GASKET KPS	1	n
KP58/A	4030109069	GUARN. COPERCHIO LATERALE KPS - ATEX	SIDE COVER GASKET KPS - ATEX	1	n
KP59	5050107184	VITE M 6X20 TCEI ZINCATA	GALVANIZED SCREW M 6X20 TCEI	10	n
KP60	4010601188	COPERCHIO LATERALE CORPO KPS	BODY SIDE COVER KPS	1	n
KP60/A	4010601200	COPERCHIO LATERALE CORPO KPS G-GA	BODY SIDE COVER KPS G-GA	1	n
KP61	5040303018	RACCORDO PORTATUBO Ø 3/4" GAS	CONNECTOR Ø 3/4" GAS	2	n
KP62	4010007074	BLOCCETTO SPIA OLIO KPS 490	CHECK LIGHT HOLDER KPS 490	1	n
KP63	5040200017	RUBINETTO DI SPURGO Ø 1/4" GAS	DRAIN COCK Ø 1/4" GAS	2	n
KP64	4011707114	GUIDA PIATTELLO BALLAST - AIDA	GUIDE FOR VALVE BALLAST - AIDA	1	n
KP65	4010006026	PIATTELLO COMPLETO BALLAST 16000	POPPET VALVE - BALLAST 16000	1	n
KP66	4012007015	MOLLA PIATTELLO BALLAST - AIDA	SPRING FOR VALVE BALLAST - AIDA	1	n
KP67	5050207008	RONDELLA TRANCIATA Ø 10X40	BLANK WASHER Ø 10X40	1	n
KP68	5050300016	DADO AUTOBLOCCANTE M 10X1,5 VERGAL	SELF-LOCKING NUT M 10X1,5 VERGAL	1	n
KP69	5012107053	CUSCINETTO A SFERE 6208 - SKF	BALL BEARING 6208 - SKF	1	n
KP70	4010501033	COLLETTORE BALLAST 16000	MANIFOLD BALLAST 16000	1	n
KP71	5050107108	VITE M 8X25 TEF - DIN 6921 ISO 8100	SCREW M 8X25 TEF - DIN 6921 ISO 8100	8	n
KP72	4060505057	CARTUCCIA FILTRO COLLETTORE BALLAST16000	MANIFOLD FILTER CARTRIDGE BALLAST 16000	1	n
KP73	5050707007	CHIAVETTA 8X7X50	KEY 8X7X50	1	n
KP74	4030108011	GUARN. POMPA OLIO L.A.	OIL PUMP GASKET - L.A.	1	n
KP74/A	4030108059	GUARN. POMPA OLIO L.A. ATEX	OIL PUMP GASKET - L.A.ATEX	1	n
KP75/DX	5080200035	POMPA LA 2 MAND. AC DX IIS	OIL PUMP - LA 2 WAYS AC DX IIS	1	n
KP75/SX	5080200037	POMPA LA 2 MAND. AC SX IIS	OIL PUMP - LA 2 WAYS AC SX IIS	1	n
KP76	5050107107	VITE M 6x10 TEF - FL/ZIGR 8.8	SCREW M 6x10 TEF - FL/ZIGR 8.8	1	n
KP77	4060505000	PROTEZIONE CE	GUARD CE	1	n
KP78	5050107125	VITE M 10X110 TCEI	SCREW M 10X110 TCEI	1	n
KP79	5050207034	RONDELLA DI SICUREZZA Ø10 NORD-LOCK	SECURITY WASHER Ø10 NORD-LOCK	1	n
KP80	4020107028	PRESA CALETTATA FORO D32 - CH10 - 1"3/8 GAS	SPLINED HUB HOLE D32 - KEY 10 -1"3/8 GAS	1	n
KP81	5030300048	PARAOLIO 54X68X10	OIL SEAL -54X68X10	1	n
KP83	4010401062	FLANGIA SUPPORTO DEC. MEC 13500/G	FLANGE SUPPORT DEC. MEC 13500/G	1	n
KP84	4011707024	ANELLO DI RIDUZIONE SUPP. GARDA GA	FLANGE RING NUT - GA	1	n
KP85	5050300002	DADO AUTOB. M 27X2X16	SELF-LOCKING NUT M 27X2X16	1	n
KP86/G	4020607005	PIGNONE DEC.GARDA Z39 - M3	PINION DEC.GARDA Z39 - M3	1	n
KP86/GA	4020607017	PIGNONE DEC.GARDA Z50 - M3	PINION DEC.GARDA Z50 - M3	1	n
KP87	5030210063	ANELLO TENUTA OR 177,47X2,62	SEAL RING OR 177,47X2,62	1	n
KP88/3,5	4020107027	MANICOTTO TRASM. MOT. IDR. - G. 3,5	HYDRL. MOT. TRANSMISS. COUPLING - G. 3,5	1	n
KP88/4	4020107024	MANICOTTO TRASM. MOT. IDR. - G. 4	HYDRL. MOT. TRANSMISS. COUPLING - G. 4	1	n
KP89	5030300013	PARAOLIO 55X68X8	OIL SEAL - 55X68X8	1	n
KP89/A	5030300056	PARAOLIO 55X68X8 - FKM	OIL SEAL - 55X68X8 - FKM	1	n
KP90/3,5	4011001087	SUPPORTO MOTORE IDR. GR. 3,5 WPT	HYDR. MOTOR SUPPORT GR. 3,5 WPT	1	n
KP90/4	4011001043	SUPPORTO MOTORE IDR. GR. 4 WPT	HYDR. MOTOR SUPPORT GR. 4 WPT	1	n
KP91	4030108028	GUARN. SUPP. MOTORE IDR. GRUPPO 4	HYDR. MOTOR SUPPORT GASKET	1	n
KP91/3,5/A	4030108077	GUARN. SUPP. MOTORE IDR. GRUPPO 3,5 - ATEX	HYDR. MOTOR SUPPORT GASKET 3,5 - ATEX	1	n
KP91/4/A	4030108060	GUARN. SUPP. MOTORE IDR. GRUPPO 4 - ATEX	HYDR. MOTOR SUPPORT GASKET 4 - ATEX	1	n
KP92/3,5	6080200059	MOTORE IDR. KM 30.73 SO GR.3,5 COMPL.	HYDR. MOTOR KM 30.73 SO GR.3,5 COMPL.	1	n
KP92/4	6080200061	MOTORE IDR. KM 40.87 SO GR.4 COMPL.	HYDR. MOTOR KM 40.87 SO GR.4 COMPL.	1	n
KP93	4010601154	COPERCHIO SCATOLA MOLT. MEC 13500	GEARBOX COVER MEC 13500	1	n
KP94	4030108049	GUARN. COP. SCATOLA MEC 13500	COVER GASKET MEC 13500	1	n
KP95	5060605001	TAPPO CARICO OLIO 3/8" GAS	OIL PLUG 3/8" GAS	1	n
KP96/M	4020607059	PIGNONE MEC 13500/M Z23-M2.5	PINION MEC 13500/MA Z34-M2.5	1	n
KP96/MA	4020607057	PIGNONE MEC 13500/M Z33-M2.5	PINION MEC 13500/M Z33-M2.5	1	n

CODE	ARTICLE	DESCRIZIONE	DESCRIPTION	Q.TY	UM
KP97/M	4020507003	INGR. CON ALBERO MEC 13500/M Z53-M2.5	GEAR WITH SHAFT MEC 13500/M Z53-M2.5	1	n
KP97/MA	4020507012	INGR. CON ALBERO MEC 13500/M Z43-M2.5	GEAR WITH SHAFT MEC 13500/M Z43-M2.5	1	n
KP98	4010301028	SCATOLA MOLT. MEC 13500	GEARBOX BALLAST MEC 13500	1	n
KP99	5012107006	CUSCINETTO A SFERE 6304	ROLL BEARING 6304	1	n
KP100	5030300005	PARAOILIO 35X62X10	OIL SEAL - 35X62X10	1	n
KP100/A	5030300055	PARAOILIO 35X62X10 - FKM	OIL SEAL - 35X62X10 - FKM	1	n
KP101	5012207001	ANELLO DI COMPENSAZIONE Ø 80	COMPRESSION E THRUST RING Ø 80	1	n
KP102	5060105004	TAPPO LIVELLO OLIO Ø 3/8" GAS	OIL LEVEL PLUG Ø 3/8" GAS	1	n
KP103	4011707067	DISTANZIALE ROTORE / M-MA-G-GA	SPACER ROTOR / M-MA-G-GA	1	n
KP104	5050107018	VITE M10X16 TE	SCREW M10X16 TE	1	n
KP105	5050202002	RONDELLA Ø 10X16X1,5 ALLUMINIO	ALUMINIUM WASHER Ø 10X16X1,5	2	n
KP106/3,5	5050107099	VITE ZINCATA M10X45 TE	SCREW M10X45 TE - GALVANIZED	4	n
KP106/4	5050107061	VITE M12X45 TCEI	SCREW M12X45 TCEI	4	n
KP108	4030108047	GUARNIZIONE FLANGIA SUPP. DECOMPRESSORE	PUMP SUPPORT GASKET	1	n
KP109	5050107026	VITE M10X25 TCEI	SCREW M10X25 TCEI	14	n
KP110	5050707032	CHIAVETTA 10X8X25	KEY 10X8X25	1	n
KP111	4060505049	PROTEZIONE POMPA L.A. 2-4 MANDATE	PUMP PROTECTION L.A. 2-4 WAYS	1	n
KP112	5040303017	RACCORDO 1/8"X6X90°	CONNECTOR 1/8"X6X90°	5	n
KP113	5040303016	VALVOLA UNIDIREZIONALE Ø 1/8"X6	UNIDIRECTINAL VALVE Ø 1/8"X6	2	n
KP114	5100706013	FASCETTA STRINGITUBO Ø 40 (25-40) INOX	CLAMP Ø 40 (25-40) INOX	2	n
KP115	5060605014	TAPPO CARICO OLIO 1" GAS	OIL PLUG 1" GAS	1	n
KP116	4060310001	PASSATUBO CHIUSO	CLOSED TUBE-PASS	1	n
KP117	4011707112	DISTANZIALE SERBATOIO PLASTICA	SPACER FOR PLASTIC TANK	2	n
KP118	4011707113	INSERTO OTTONE SERBATOIO PLASTICA	INSERT BRASS OIL TANK	2	n
KP119	4060310005	RONDELLA IN GOMMA Ø25,9X15X3	RUBBER WASHER Ø25.9X15X3	2	n
KP120	5050207038	RONDELLA Ø 10X25X1,5 ALLUMINIO - UNI 1739	SMOOTH WASHER Ø 10X25X1,5 - UNI 1739	2	n
KP121	5050107106	VITE ZINCATA M 10X100 TE	GALVANIZED SCREW M10X100 TE	2	n
KP122	5080005001	FILTRO OLIO	OIL FILTER	1	n
KP123	5040407009	NIPPLO M/M 3/4" GAS	NIPPLES M/M 3/4" GAS	1	n
KP124	4040407001	RIDUZIONE PORTAFILTRO OLIO	OIL FILTER REDUCTION	1	n
KP125	5050202003	RONDELLA Ø 1/4" GAS	WASHER Ø 1/4" GAS	1	n
KP126	5040200001	RUBINETTO SERBATOIO OLIO Ø 1/4" GAS	OIL TANK DRAIN COCK Ø 1/4" GAS	1	n
KP127	5040303015	RACCORDO DRITTO 1/4"X6	CONNECTOR 1/4"X6	1	n
KP128	5080115011	TUBO IN GOMMA Ø25X35	RUBBER HOSE Ø25X35	0,43	m
KP129	5040200010	SPIA DI CONTROLLO FORO Ø 1/8" GAS	CONTROL SIGHT Ø 1/8" GAS	1	n
KP130	5080005006	FILTRO ACQUA OTTONE 3/4" GAS	WATER FILTER 3/4" GAS	1	n
KP131/A	5080115002	TUBO IN RAME Ø 6X1	COPPER HOSE Ø 6X1	0,61	m
KP131/B	5080115002	TUBO IN RAME Ø 6X1	COPPER HOSE Ø 6X1	0,51	m
KP131/C	5080115002	TUBO IN RAME Ø 6X1	COPPER HOSE Ø 6X1	0,41	m
KP131/D	5080115002	TUBO IN RAME Ø 6X1	COPPER HOSE Ø 6X1	0,31	m
KP131/E	5080115002	TUBO IN RAME Ø 6X1	COPPER HOSE Ø 6X1	0,21	m
KP132	5050107058	VITE M10X50 TE	SCREW M10X50 TE	1	n
KP133	4011707055	RONDELLA BLOCCAGGIO CALETTATO GARDA TS	SPLINED SMOOTH WASHER GARDA TS	1	n
KP134	4020907069	ALBERO DI CONVERSIONE GARDA TS	SPLINED SLEEVE GARDA TS	1	n
KP135	5050507029	ANELLO SEEGER Ø 55 E - DIN 471	CIRCLIP Ø 55 E - DIN 471	1	n
KP136	4020107034	MOZZO SCORREVOLE GARDA EVO	SLIDING SLEEVE - GARDA EVO	1	n
KP137	4020807026	RUOTA DENTATA CENTRALE GARDA EVO Z50 - M3	CENTRAL GEAR GARDA EVO Z50 - M3	1	n
KP138	4011707115	DISTANZIALE PER PERNO GA 2 LEVE	SPACER - GARDA EVO GA 2 LEVER	1	n
KP140/490	6010201087	KIT REVISIONE POMPA KPS 490 LONG LIFE	REBUILD KIT - KPS 490 LONG LIFE	1	n
KP141	5060105006	LIVELLO OLIO COMPLETO SLVT 127	COMPLETE OIL LEVEL - SLVT 127	1	n
KP142	4011406014	SERBATOIO OLIO ATEX	SIDE OIL TANK ATEX	1	n
LUBR_OIL	5070200100	OLIO BATTIONI PAGANI POMPE (5LT)	BATTIONI PAGANI VACUUM PUMP OIL (5LT)	1	n





Battioni®  
Pagani

*Setting the pace since 1953*

0	01.05.2021	1° EMISSIONE	PROG	R DT	AM
REV.	DATA	MOTIVO	PREPARATO	APPROVATO	AUTORIZZATO



Battioni®  
Pagani

*Setting the pace since 1953*

Via Cav. Enzo Ferrari, 2  
43058 Ramoscello di Sorbolo (PR) - Italy

Ph. +39 0521 663203

Fax +39 0521 663206



[www.bapag.it](http://www.bapag.it)  
[info@bapag.it](mailto:info@bapag.it)