

Catalogo generale ricambi

General spare parts catalogue

Catalogue générale des pièces de rechange

Ersatzteile-katalog

Catálogo de piezas



Battioni®
Pagani

Setting the pace since 1953

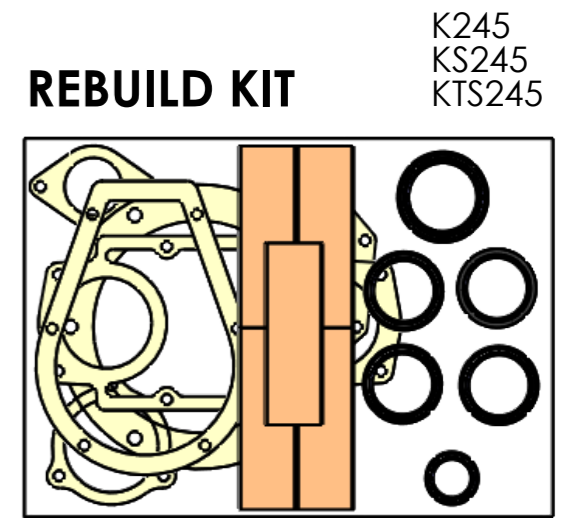
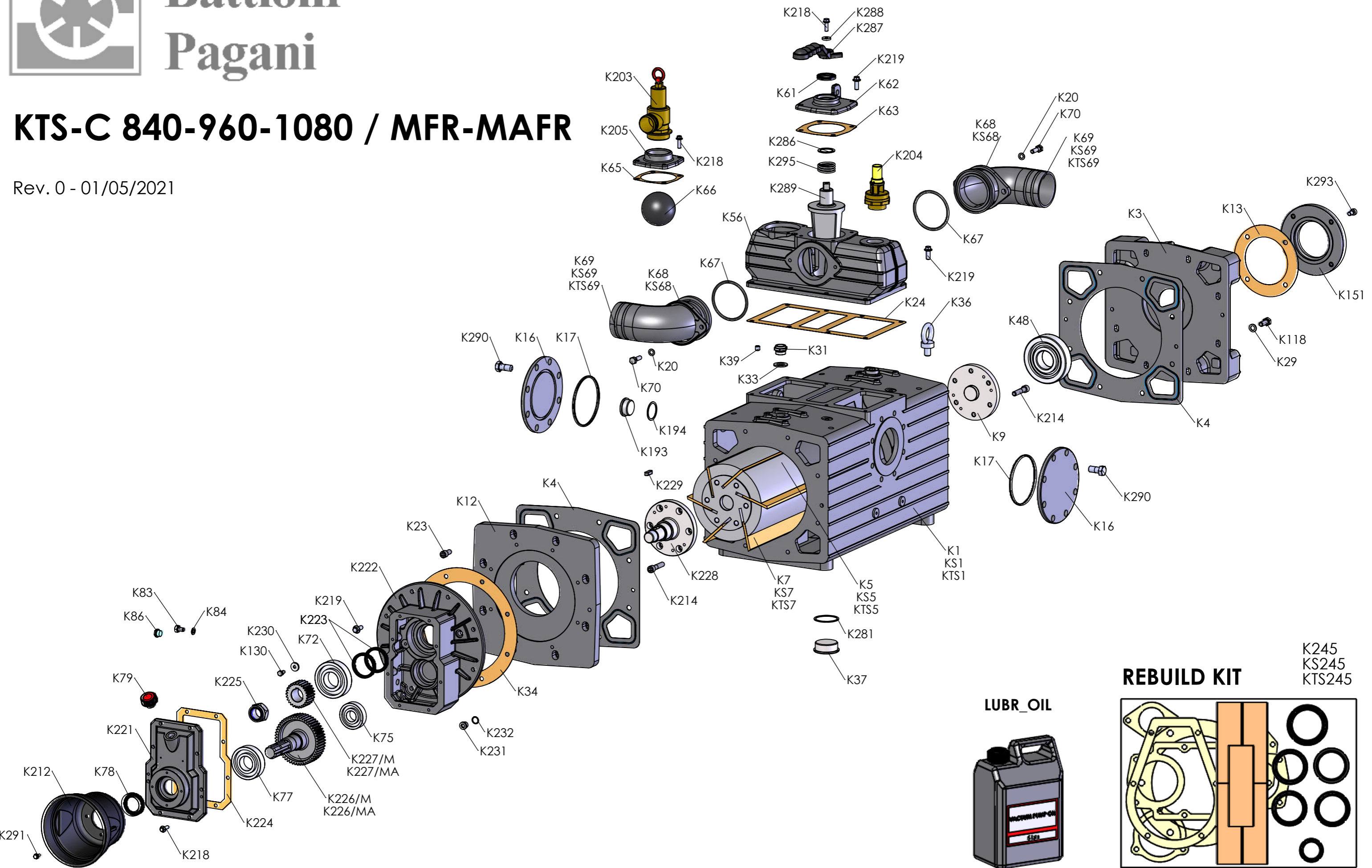
2021



Battioni®
Pagani

KTS-C 840-960-1080 / MFR-MAFR

Rev. 0 - 01/05/2021

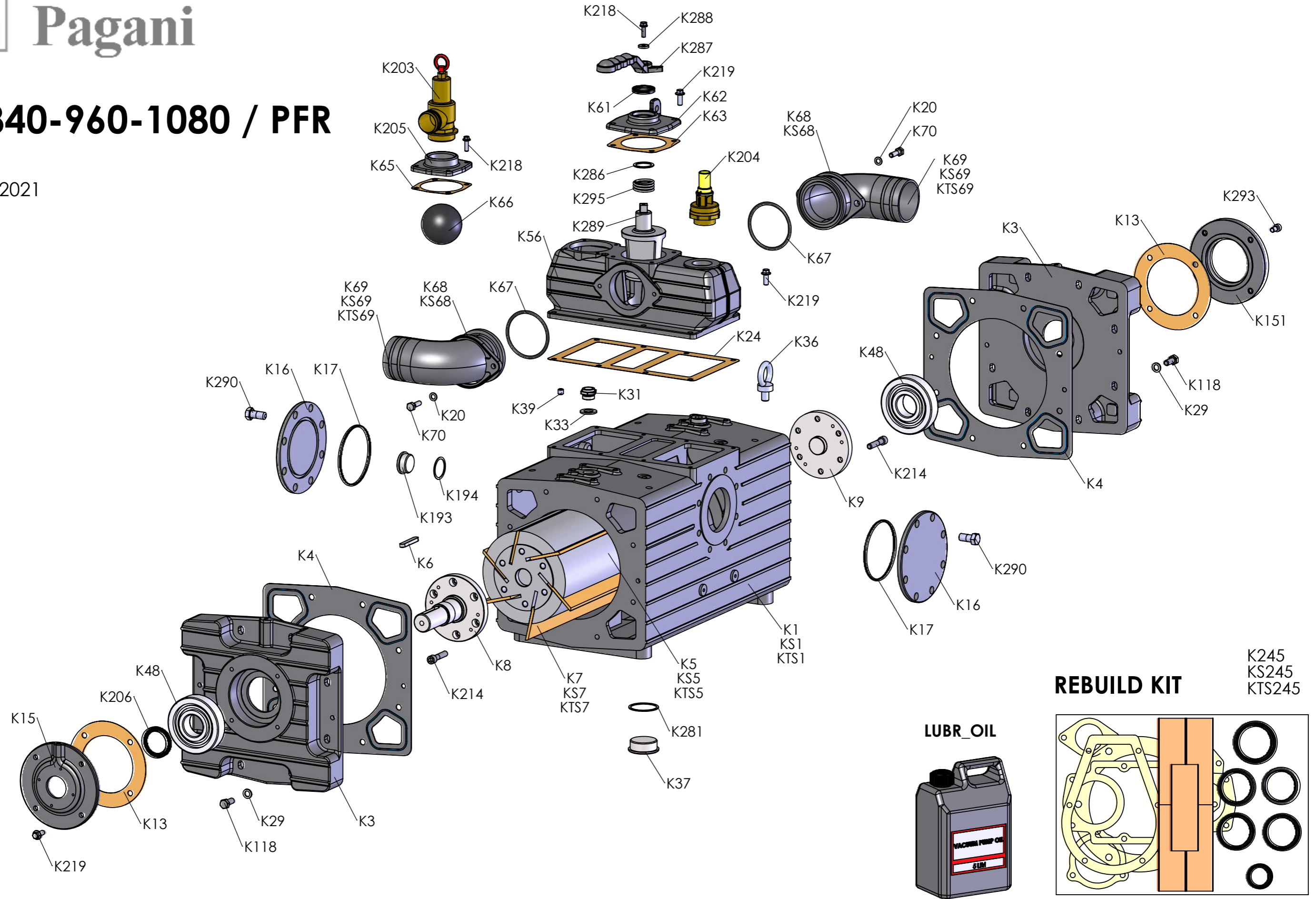




Battioni® Pagani

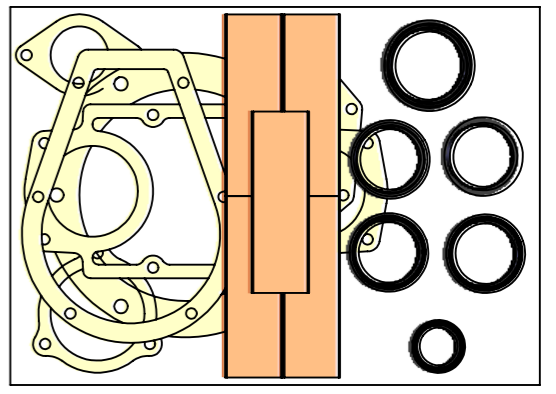
KTS-C 840-960-1080 / PFR

Rev. 0 - 01/05/2021



REBUILD KIT

K245
KS245
KTS245

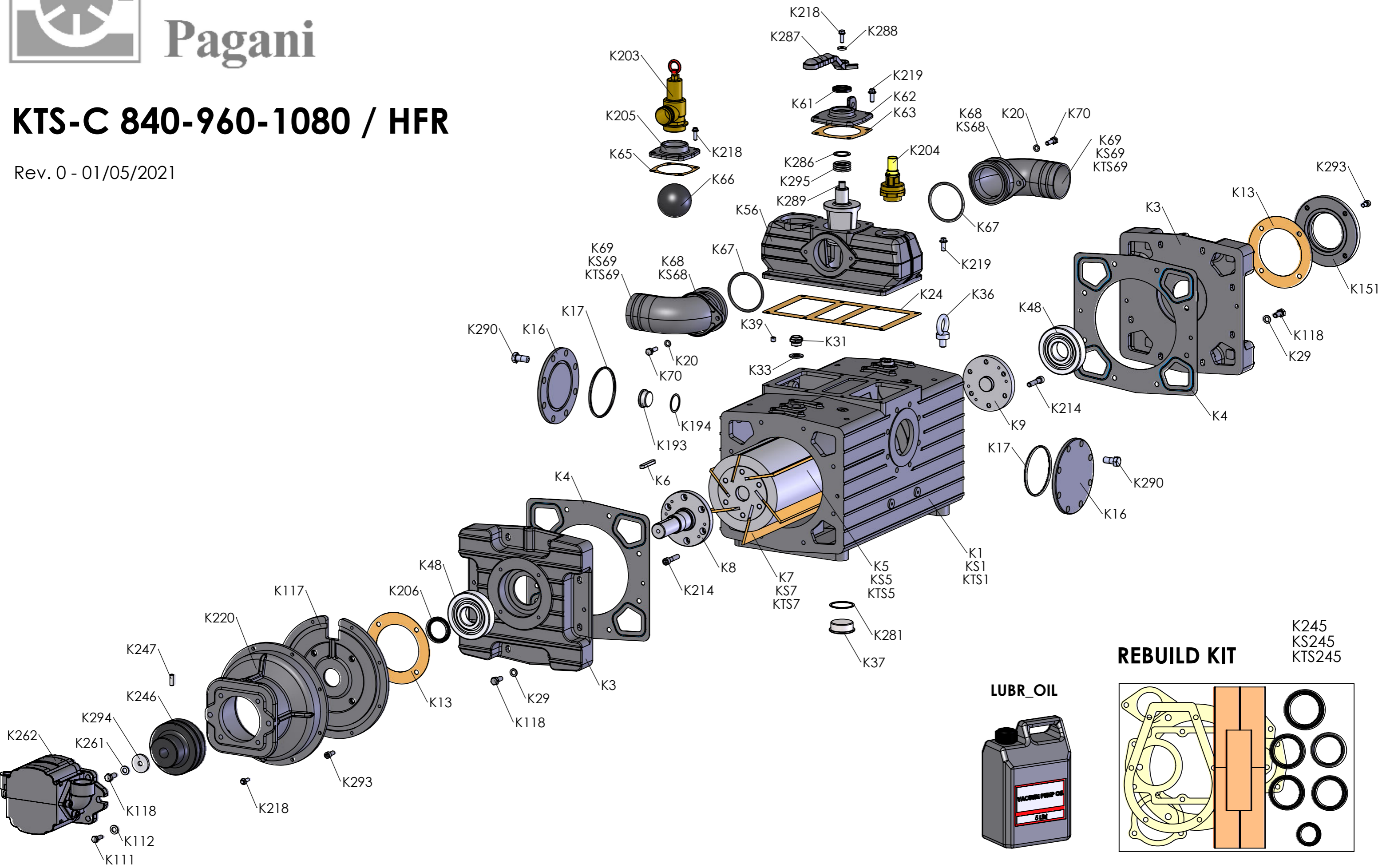




Battioni® Pagani

KTS-C 840-960-1080 / HFR

Rev. 0 - 01/05/2021

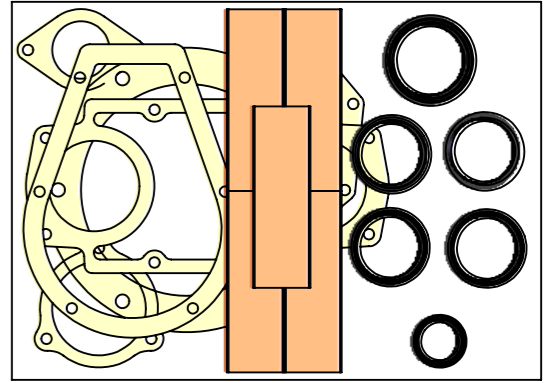


REBUILD KIT

K245
KS245
KTS245



LUBR_OIL

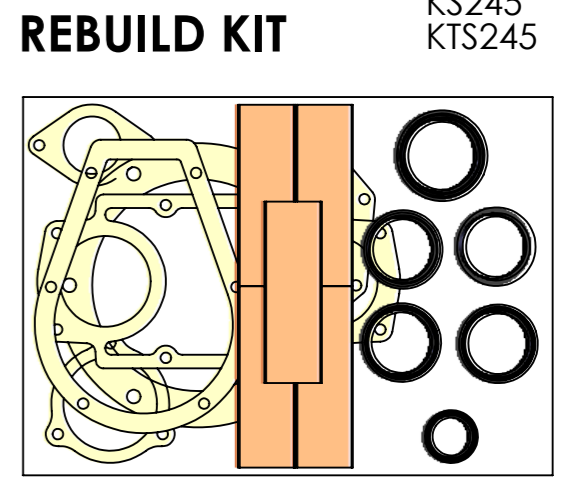
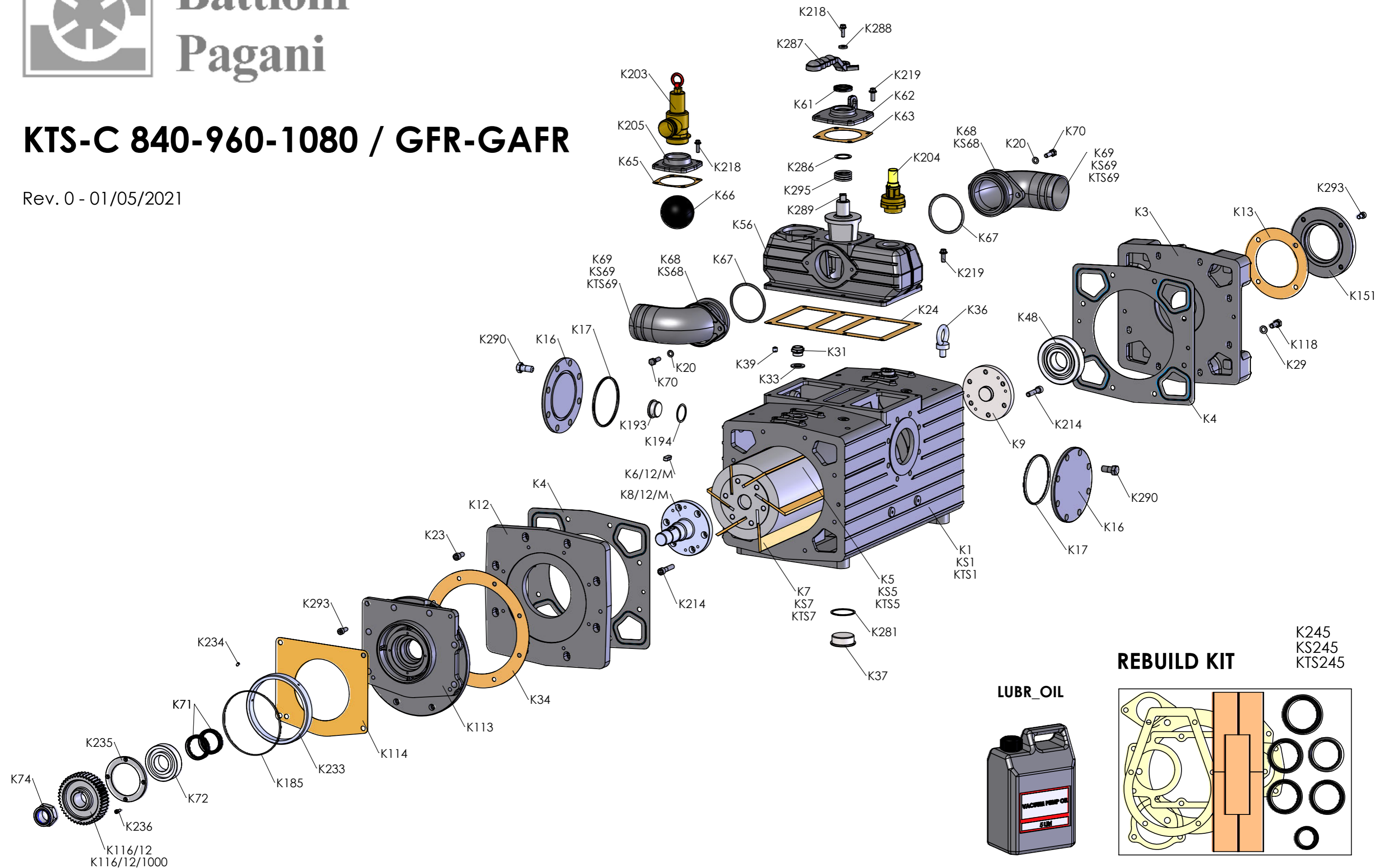




Battioni® Pagani

KTS-C 840-960-1080 / GFR-GAFR

Rev. 0 - 01/05/2021

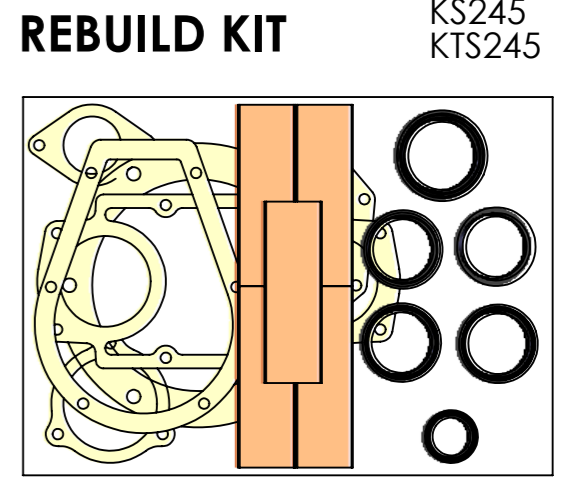
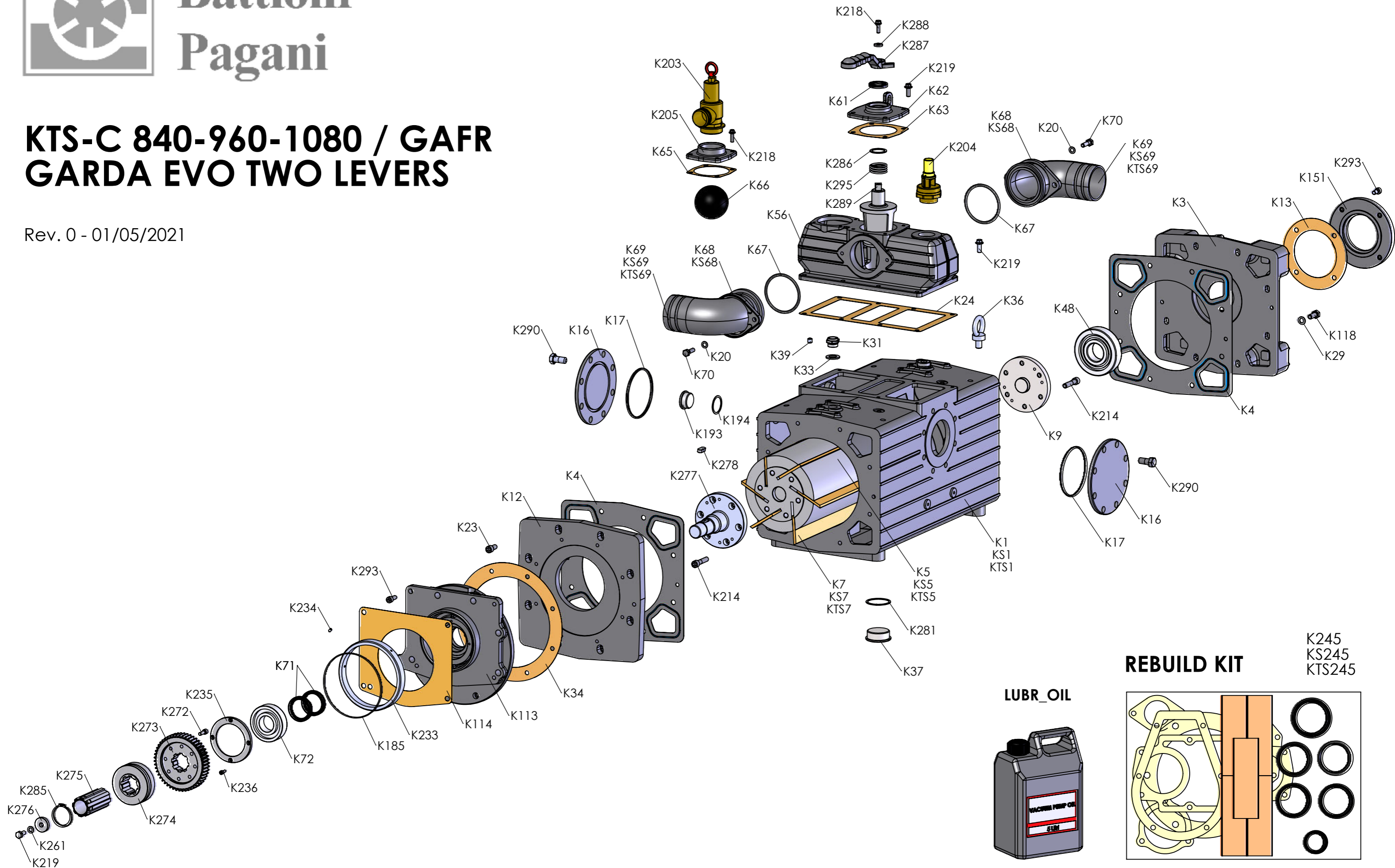




Battioni®
Pagani

KTS-C 840-960-1080 / GAFR
GARDA EVO TWO LEVERS

Rev. 0 - 01/05/2021

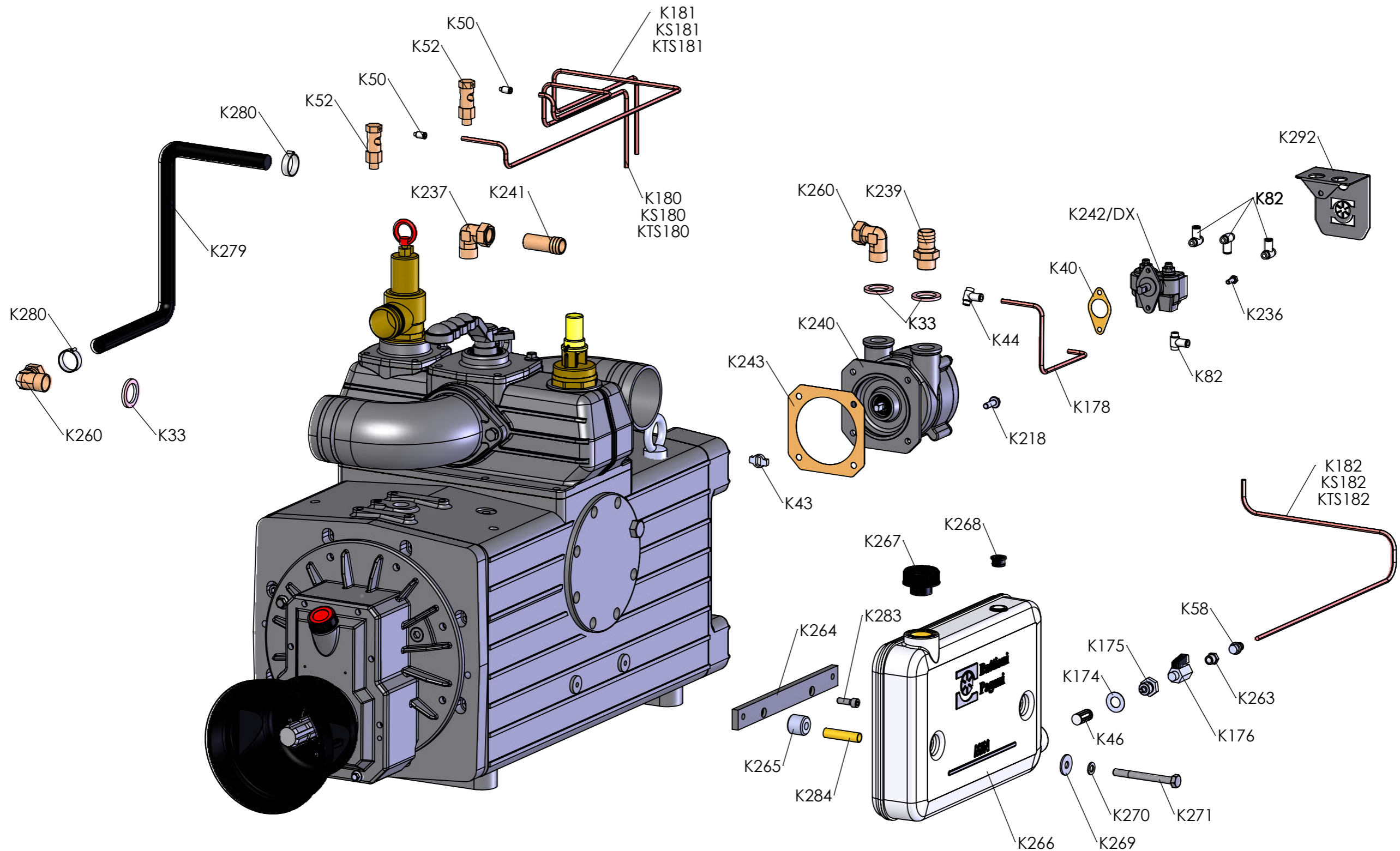




Battioni®
Pagani

COOLING L.A. KTS-C / MFR-MAFR

Rev. 0 - 01/05/2021

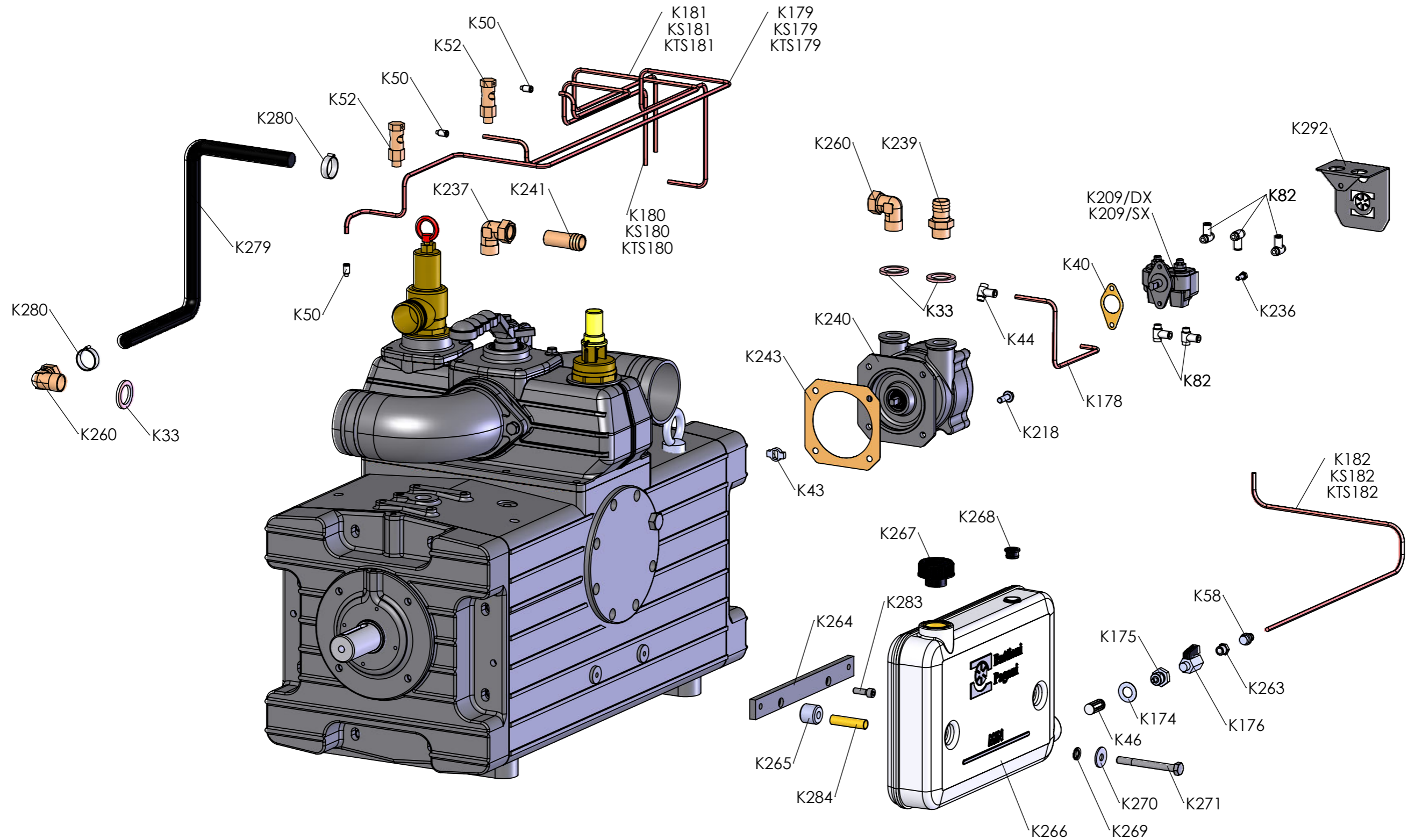




Battioni®
Pagani

COOLING L.A. KTS-C / PFR-DFR-HFR-GFR-GAFR

Rev. 0 - 01/05/2021



CODE	ARTICLE	DESCRIZIONE	DESCRIPTION	Q.TY	UM
KS1/A	4010101169	CORPO POMPA KPS 670 BALLAST	BODY - KPS 670 BALLAST	1	n
K1	4010101060	CORPO POMPA KTS 840	HOUSING - KTS 840	1	n
KS1	4010101061	CORPO POMPA KTS 960	HOUSING - KTS 960	1	n
KTS1	4010101062	CORPO POMPA KTS 1080	HOUSING - KTS 1080	1	n
K3	4010401045	FLANGIA ANTERIORE KTS	FRONT FLANGE - KTS	1	n
K4	4030109032	GUARN. FLANGIA KTS	FLANGE GASKET - KTS	2	n
K5	4010220097	ROTORE KTS 840	ROTOR - KTS 840	1	n
KS5	4010220098	ROTORE KTS 960	ROTOR - KTS 960	1	n
KTS5	4010220099	ROTORE KTS 1080	ROTOR - KTS 1080	1	n
K6	5050707019	CHIAVETTA 12X8X70	KEY - 12X8X70	1	n
K6/12/M	5050707029	CHIAVETTA 12X8X30	KEY - 12X8X30	1	n
K7	4070113105	PALETTA EM 4300 KTS 840 500X80X6.7	EM4300 BLADE - KTS 840 500X80X6.7	6	n
KS7	4070113106	PALETTA EM 4300 KTS 960 570X80X6.7	EM4300 BLADE - KTS 960 570X80X6.7	6	n
KTS7	4070113107	PALETTA EM 4300 KTS 1080 640X80X6.7	EM4300 BLADE - KTS 1080 640X80X6.7	6	n
K8	4011907045	PERNO ANTERIORE KTS-KTM 1200-1500	FRONT PIN - KTS-KTM 1200-1500	1	n
K8/12/M	4011912008	PERNO ANTERIORE KTS/M (II)	FRONT PIN - KTS/M (2ND SERIES)	1	n
K9	4011907046	PERNO POSTERIORE KTS-KTM 1200-1500	BACKPIN - KTS-KTM 1200-1500	1	n
K12	4010406019	FLANGIA ACCOPP. MOLT. KTS/M	GEARBOX COUPLING FLANGE - KTS/M	1	n
K13	4030108042	GUARN. COPERCHIO ANT. E POST. KTM	BACKAND FRONT COVER GASKET - KTM	2	n
K15	4010601098	COPERCHIO ANTERIORE KTM 1200-1500	FRONT COVER - KTM 1200-1500	1	n
K16	4010606007	COPERCHIO LATERALE KTS	SIDE COVER - KTS	2	n
K17	5030210039	ANELLO TENUTA OR 206 WSM CL	SEAL RING - OR 206 WSM CL	2	n
K20	5050207004	RONDELLA D 10	SMOOTH WASHER - D 10	20	n
K23	5050107052	VITE M 12X25 TCEI	SCREW - M 12X25 TCEI	8	n
K24	4030109030	GUARN. COLLETTORE	MANIFOLD GASKET	1	n
K29	5050207005	RONDELLA D 12	SMOOTH WASHER - D 12	16	n
K31	5050906010	TAPPO D 3/4" GAS - DIN 908 -	PLUG - D 3/4" GAS DIN 908	2	n
K33	5050202013	RONDELLA D 3/4"X32,5 RAME	COPPER WASHER - D 3/4"X32,5	3	n
K34	4030108022	GUARN. FLANGIA WPT	FLANGE GASKET - WPT	1	n
K36	5051206002	GOLFARE MASCHIO M 16 - CE -	MALE EYEBOLT - M 16 - CE	2	n
K37	5050906007	TAPPO D 2" GAS - DIN 908	PLUG - D 2" GAS DIN 908	1	n
K39	5050906012	GRANO D 1/4" GAS - DIN 906 -	DOWEL - D 1/4" GAS DIN 906	2	n
K40	4030108011	GUARN. POMPA OLIO L.A.	OIL PUMP GASKET - L.A.	1	n
K42	5050207002	RONDELLA D 6	SMOOTH WASHER - D 6	4	n
K43	4010006002	GIUNTO DI COLLEGAMENTO L.F.	CONNECTOR JOINT - L.F.	2	n
K44	5040303007	RACCORDO D 1/8"X6X90° RILSAN	CONNECTOR - D 1/8"X6x90° RILSAN	1	n
K46	5080005001	FILTRO OLIO	OIL FILTER	1	n
K48	5012107026	CUSCINETTO A RULLI NJ 410	ROLLER BEARING - NJ 410	1	n
K50	5040303016	VALVOLA UNIDIREZIONALE D 1/8" X6	ONE-WAY VALVE - D 1/8" X6	3	n
K52	5040200010	SPIA DI CONTROLLO FORO D 1/8"	CHECKLIGHT - D 1/8" HOLE	2	n
K56	4010501015	COLLETTORE	MANIFOLD	1	n
K58	5040303020	RACCORDO D 1/8"X6 RAME	CONNECTOR - D 1/8"X6 COPPER	1	n
K61	5030300015	PARAOLIO 35X50X7 TC	OIL SEAL - 35X50X7 TC	1	n
K62	4010601056	COPERCHIO COLL.	MANIFOLD COVER	1	n
K63	4030109025	GUARN. COP.COLL.	MANIFOLD COVER GASKET	1	n
K65	4030109017	GUARN. COPERCHIO PORTAVALVOLA	VALVE COVER GASKET	1	n
K66	5060410007	SFERA IN GOMMA PESANTE D 90	RUBBER BALL - D 90	1	n
K67	5030210008	ANELLO TENUTA OR 189 UL	SEAL RING - OR 189 UL	2	n
K68	4010406017	FLANGIA PREMIGURVA D 80	FLANGE FOR ELBOW - D80	2	n
KS68	4010406015	FLANGIA PREMIGURVA D 100	FLANGE FOR ELBOW - D100	2	n
K69	4010901018	CURVA SCAR. ORIENT. D 76	REVOLVING ELBOW - D76	2	n
KS69	4010901019	CURVA SCAR. ORIENT. D 80	REVOLVING ELBOW - D80	2	n
KTS69	4010901020	CURVA SCAR. ORIENT. D 100	REVOLVING ELBOW - D100	2	n
K70	5050107054	VITE M 10X35 TE	SCREW - M 10X35 TE	4	n
K71	5030300017	PARAOLIO 52X68X10	OIL SEAL - 52X68X10	2	n
K72	5012107012	CUSCINETTO A SFERE 6309	BALL BEARING - 6309	1	n
K74	5050300004	DADO AUTOBLOCCANTE M 36X2X28	SELF-LOCKING NUT - M 36X2X28	1	n
K75	5012107009	CUSCINETTO A SFERE 6306	BALL BEARING - 6306	1	n

CODE	ARTICLE	DESCRIZIONE	DESCRIPTION	Q.TY	UM
K77	5012107011	CUSCINETTO A SFERE 6308	BALL BEARING - 6308	1	n
K78	5030300014	PARAOILIO 40X62X10	OIL SEAL - 40X62X10	1	n
K79	5060605002	TAPPO CARICO OLIO D 1/2" GAS -VALV.-	OIL PLUG - D 1/2" GAS	1	n
K82	5040303017	RACCORDO D 1/8"X6X90 RAME	CONNECTOR - D 1/8"X6X90 CUPPER	5	n
K83	5050107018	VITE M 10X16 TE	SCREW - M 10X16 TE	1	n
K84	5050202002	RONDELLA D 10X16X1.5 ALLUMINIO	ALUMINIUM WASHER - D 10X16X1.5	1	n
K85	5050107021	VITE M 10X30 TE	SCREW - M 10X30 TE	8	n
K86	5060105004	TAPPO LIVELLO OLIO D 3/8" GAS	OIL LEVEL PLUG - D 3/8" GAS	1	n
K108	4011707035	DISTANZIALE MANICOTTO TRASM. KTS	TRANSMISSION COUPLING SPACER - KTS	1	n
K109	4020107015	MANICOTTO CON FL. TRASM. KTS	COUPLING W/ DRIVE FLANGE-KTS	1	n
K110	4020107005	FLANGIA CON ALBERO SCANALATO	FLANGE WITH SPLINED SHAFT	1	n
K111	5050107029	VITE M 14X30 TE	SCREW - M 14X30 TE	4	n
K112	5050207006	RONDELLA D 14	SMOOTH WASHER - D 14	4	n
K113	4010401008	FLANGIA SUPPORTO DECOMPR.	PUMP SUPPORT FLANGE	1	n
K114	4030108047	GUARN. FLANGIA SUPP. DECOMPR.	PUMP SUPPORT GASKET	1	n
K116/12	4020607045	PIGNONE DEC. GARDA WPT/G Z45-M3 12MM	GARDA PINION - Z45-M3 WPT/G 12MM	1	n
K116/12/100	4020607042	PIGNONE DEC. GARDA WPT/GA Z56-M3 12MM	GARDA PINION - Z56-M3 WPT/GA 12MM	1	n
K117	4010406018	FLANGIA COLLEG. SUPP. MOT. IDR. KTS	HYDR. MOTOR SUPP. CONN. FLANGE - KTS	1	n
K118	5050107027	VITE M 12X30 TE	SCREW - M 12X30 TE	17	n
K151	4011006007	SUPPORTO COLLEG. POMPA R.A. KTS	COOLING PUMP CONNECTION SUPPORT - KTS	1	n
K174	5050202005	RONDELLA D 18x24x1,5 ALLUMINIO	ALUMINIUM WASHER - D 18x24x1,5 GAS	1	n
K175	4040407001	RIDUZIONE PORTAFILTRO WPT LA	FILTER REDUCTION - WPT LA	1	n
K176	5040200001	RUBINETTO SERBATOIO OLIO D 1/4" GAS	OIL TANKDRAIN COCK- D 1/4" GAS	1	n
K178	5080115002	TUBO RAME D 6X1	COPPER HOSE - D 6X1	0,24	m
K179	5080115002	TUBO RAME D 6X1	COPPER HOSE - D 6X1	1,32	m
KS179	5080115002	TUBO RAME D 6X1	COPPER HOSE - D 6X1	1,39	m
KTS179	5080115002	TUBO RAME D 6X1	COPPER HOSE - D 6X1	1,46	m
K180	5080115002	TUBO RAME D 6X1	COPPER HOSE - D 6X1	1,12	m
KS180	5080115002	TUBO RAME D 6X1	COPPER HOSE - D 6X1	1,19	m
KTS180	5080115002	TUBO RAME D 6X1	COPPER HOSE - D 6X1	1,26	m
K181	5080115002	TUBO RAME D 6X1	COPPER HOSE - D 6X1	0,58	m
KS181	5080115002	TUBO RAME D 6X1	COPPER HOSE - D 6X1	0,65	m
KTS181	5080115002	TUBO RAME D 6X1	COPPER HOSE - D 6X1	0,72	m
K182	5080115002	TUBO RAME D 6X1	COPPER HOSE - D 6X1	0,58	m
KS182	5080115002	TUBO RAME D 6X1	COPPER HOSE - D 6X1	0,61	m
KTS182	5080115002	TUBO RAME D 6X1	COPPER HOSE - D 6X1	0,64	m
K185	5030210060	ANELLO DI TEN. SUPP. DEC. OR171.12x2.62	SEAL RING - OR171.12x2.62 /G	1	n
K193	5050906005	TAPPO D 1"1/4 - DIN 908 -	PLUG - D 1"1/4 DIN 908	1	n
K194	5050202000	RONDELLA D 1"1/4 ALLUMINIO	ALUMINIUM WASHER - D 1"1/4	1	n
K203	5100200032	VALVOLA SOVRAPRESSIONE D 2"1/2 CON PORT.	OVER-PRESSURE VALVE - D 2"1/2 WITH HOSE	1	n
K204	5100200012	VALVOLA REGOLAZIONE VUOTO D 1"1/2 GAS	DEPRESSION VALVE - D 1"1/2 GAS	1	n
K205	4010601142	COPERCHIO PORTAVALVOLA KTS	VALVE COVER - KTS	1	n
K206	5030300025	PARAOILIO 50X68X10 DCP - FKM	OIL SEAL - 50X68X10 DCP - FKM	1	n
K209/DX	5080200029	POMPA LA 4 MAND. AC DX IIS	OIL PUMP - LA 4 WAYS AC DX IIS	1	n
K209/SX	5080200031	POMPA LA 4 MAND. AC SX IIS	OIL PUMP - LA 4 WAYS AC SX IIS	1	n
K212	4060505018	PROTEZIONE ALBERO KTS/MFR-MAFR	SHAFT GUARD - KTS/MFR-MAFR	1	n
K213	4060505011	PROTEZIONE ALBERO KTS/DFR CE	GUARD SHAFT - KTS/DFR CE	1	n
K214	5050107104	VITE M 12X55 TCEI 12.9 UNI 5931	SCREW - M 12X55 TCEI 12.9 UNI 5931	6	n
K218	5050107108	VITE M 8X25 TEF - FL/ZIGR 8.8 -	SCREW - M 8X25 TEF - FL/ZIGR 8.8	8	n
K219	5050107109	VITE M 10X25 TEF - FL/ZIGR 8.8 -	SCREW - M 10X25 TEF - FL/ZIGR 8.8	28	n
K220	4011001063	SUPPORTO MOTORE IDR. KTS	HYDR. MOTOR SUPPORT - KTS	1	n
K221	4010601118	COPERCHIO SCATOLA MOLT.M-MA CE	GEARBOX COVER - M-MA CE	1	n
K222	4010301027	SCATOLA MOLT. M/MA	GEARBOX - M/MA	1	n
K223	5030300013	PARAOILIO 55X68X8	OIL SEAL - 55X68X8	2	n
K224	4030108019	GUARN. COPERCHIO MOLT.	GEARBOX COVER GASKET	1	n
K225	5050300005	DADO AUTOBLOCCANTE M 30X2X19	SELF-LOCKING NUT - M 30X2X19	1	n
K226/M	4020507005	INGR. CON ALBERO STAR-WPT/M Z52-M2,5	GEAR WITH SHAFT - Z52-M2,5 STAR-WPT/M	1	n
K226/MA	4020507009	INGR. CON ALBERO STAR-WPT/MA Z44-M2,5	GEAR WITH SHAFT - Z44-M2,5 STAR-WPT/MA	1	n

CODE	ARTICLE	DESCRIZIONE	DESCRIPTION	Q.TY	UM
K227/M	4020607040	PIGNONE STAR-WPT/M Z26-M2,5 10MM	PINION - Z26-M2,5 STAR-WPT/M 10MM	1	n
K227/MA	4020607041	PIGNONE STAR-WPT/MA Z34-M2,5 10MM	PINION - Z34-M2,5 STAR-WPT/MA 10MM	1	n
K228	4011907079	PERNO ANTERIORE KTS/M-MA	FRONT PIN - KTS/M-MA	1	n
K229	5050707027	CHIAVETTA 10X8X30	KEY - 10X8X30	1	n
K230	5050207022	RONDELLA D 8X23X4 - DIN 6340	WASHER - 8X23X4 - DIN 6340	3	n
K231	5050906006	TAPPO D 16x1.5 - DIN 908	PLUG - D 16X1.5 - DIN 908	1	n
K232	5050202007	RONDELLA D 16X20X1,5 ALLUMINIO	ALUMINIUM WASHER - D 16X20X1,5	1	n
K233	4011707024	ANELLO DI RID.SUPP.POMPA GA	FLANGE RING NUT - GA	1	n
K234	5051007001	GRANO M 6X10	DOWEL - M 6X10	3	n
K235	4011707049	ANELLO BLOCCAGGIO CUSCINETTO G-GA	BEARING LOCKING RING - G-GA	1	n
K236	5050107008	VITE M 6X16 TCEI	SCREW - M 6X16 TCEI	6	n
K237	5040300004	RACCORDO COMPLETO D 3/4"X22X90 RA KTS	COMPLETE CONNECTOR - D 3/4"X22X90 RA KTS	1	n
K239	5040303018	RACCORDO PORTATUBO D 3/4" GAS	CONNECTOR - D 3/4" GAS	1	n
K240	6080200203	POMPA RA KTS-C COMPLETA 30 LT/MIN	COMPLETE WATERCOOLING BACKPUMP KTS-C 30	1	n
K241	4011707087	RACCORDO PORTATUBO D25	CONNECTOR - D25	1	n
K242/DX	5080200025	POMPA LA 3 MAND. AC DX IIS	OIL PUMP - LA 3 WAYS AC DX IIS	1	n
K243	4030108023	GUARN. COPERCHIO ANT. E POST.	BACK COVER GASKET	1	n
K246	5020707014	GIUNTO ELASTICO COLLEGAMENTO KTS/HFR	ELASTIC COUPLING JOINT - KTS/HFR	1	n
K247	5051007021	GRANO DI FERMO M 8X30 P.CONICA	DOWEL - M 8X30 P.CON.	1	n
K260	5040303023	RACCORDO PORTAGOMMA D 3/4"X25X90	SLEEVE CONNECTOR - D 3/4"X25X90	2	n
K261	5050207035	RONDELLA DI SICUREZZA D 12	SECURITY WASHER - D12	1	n
K262	6080200159	MOTORE IDR. KM 40.109 SO GR.4 SAE COMPL.	HYDRAULIC MOTOR KM 40.109 SO GR.4 SAE	1	n
K263	5040407001	RIDUZIONE D 1/4"X1/8" GAS	REDUCTION - D 1/4"X1/8" GAS	1	n
K264	4010007062	SUPPORTO SERBATOIO PLASTICA STAR-KTS	PLASTIC OIL TANKSUPPORT FOR STAR-KTS	1	n
K265	4011707112	DISTANZIALE SERBATOIO PLASTICA	SPACER FOR PLASTIC TANK	2	n
K266	4011406012	SERBATOIO OLIO STAMPATO	OIL TANKTHERMOFORMED	1	n
K267	5060605014	TAPPO CARICO OLIO D 1" GAS	CHARGE OIL PLUG - D 1" GAS	1	n
K268	4060310001	PASSATUBO CHIUSO	CLOSED TUBE-PASS	1	n
K269	4060310005	RONDELLA IN GOMMA D. 25,9X15X3	RUBBER WASHER D 25,9X15X3	2	n
K270	5050207038	RONDELLA D 10X25X1,5 - UNI 1739	SMOOTH WASHER - D 10X25X1,5 - UNI 1739	2	n
K271	5050107106	VITE ZINCATA M 10X100 TE	GALVANIZED SCREW - M 10X100 TE	2	n
K272	5050107016	VITE M 8X25 TCEI	SCREW - M 8X25 TCEI	8	n
K273	4020807027	PIGNONE DEC. GARDA STAR/GA Z56-M3 10MM	GARDA PINION - Z56-M3 STAR/GA 10MM	1	n
K274	4020107034	MOZZO SCORREVOLE GARDA EVO	SLIDING SLEEVE - GARDA EVO	1	n
K275	4020907069	ALBERO CONVERSIONE GARDA T MEC/STAR	SPLINED SLEEVE - GARDA T MEC/STAR	1	n
K276	4011707055	RONDELLA BLOCCAGGIO CALETTATO GARDA T	SPLINED SMOOTH WASHER - GARDA T	1	n
K277	4011907077	PERNO ANTERIORE KTS/GA T	FRONT PIN - KTS/GA T	1	n
K278	5050707009	CHIAVETTA 10X8X50	KEY 10X850	1	n
K279	5080115011	TUBO GOMMA D 25x35	RUBBER HOSE D25x35	0,43	m
K280	5100706012	FASCETTA STRINGITUBO D 32	CLAMP - D 32	2	n
K281	5050202006	RONDELLA D 2" GAS ALLUMINIO	ALUMINIUM WASHER - D 2" GAS	1	n
K283	5050107015	VITE M 8X16 TCEI	SCREW - M 8X16 TCEI	2	n
K284	4011707113	INSERTO OTTONE SERBATOIO PLASTICA	INSERT BRASS PLASTIC OIL TANK	2	n
K285	5050507029	ANELLO SEEGER D 55 E - DIN 471	CIRCLIP - D 55 E - DIN 471	1	n
K286	5050207031	RONDELLA PER CONO INVERTITORE	TEFLON WASHER REV. GEAR	1	n
K287	4010801043	MANIGLIA CON ATTACCO QUADRATO	HANDLE SQUARE CONNECTION	1	n
K288	5050207032	RONDELLA D 10X28X4 - DIN 6340	WASHER - D 10X28X4 - DIN 6340	1	n
K289	4010701018	CONO INVERTITORE	REVERSING GEAR	1	n
K290	5050107102	VITE M 16X25 TE	SCREW - M 16X25 TE	16	n
K291	5050107107	VITE M 6x10 TEF - FL/ZIGR 8.8 -	GALVANIZED SCREW - M 6X10 TEF	4	n
K292	4060505049	PROTEZIONE POMPA OLIO L.A.	L.A. GUARD	1	n
K293	5050107044	VITE M 10X20 TCEI	SCREW - M 10X20 TCEI	8	n
K294	5050207011	RONDELLA TRANCIATA D 10X50X5	BLANKWASHER - D 10X50X5	1	n
K295	4012007011	MOLLA	SPRING	1	n
K245	6010201036	KIT REVISIONE POMPA KTS 840 LONG LIFE	REBUILD KIT - KTS 840 LONG LIFE	1	n
KS245	6010201037	KIT REVISIONE POMPA KTS 960 LONG LIFE	REBUILD KIT - KTS 960 LONG LIFE	1	n
KTS245	6010201038	KIT REVISIONE POMPA KTS 1080 LONG LIFE	REBUILD KIT - KTS 1080 LONG LIFE	1	n
LUBR_OIL	5070200100	OLIO BATTIONI PAGANI POMPE (5LT)	BATTIONI PAGANI VACUUM PUMP OIL (5LT)	1	n



Battioni®
Pagani

Setting the pace since 1953

0	01.05.2021	1° EMISSIONE	PROG	R DT	AM
REV.	DATA	MOTIVO	PREPARATO	APPROVATO	AUTORIZZATO



Battioni®
Pagani

Setting the pace since 1953

Via Cav. Enzo Ferrari, 2
43058 Ramoscello di Sorbolo (PR) - Italy

Ph. +39 0521 663203

Fax +39 0521 663206



www.bapag.it
info@bapag.it