

Catalogo generale ricambi

General spare parts catalogue

Catalogue générale des pièces de rechange

Ersatzteile-katalog

Catálogo de piezas



Battioni®
Pagani

Setting the pace since 1953

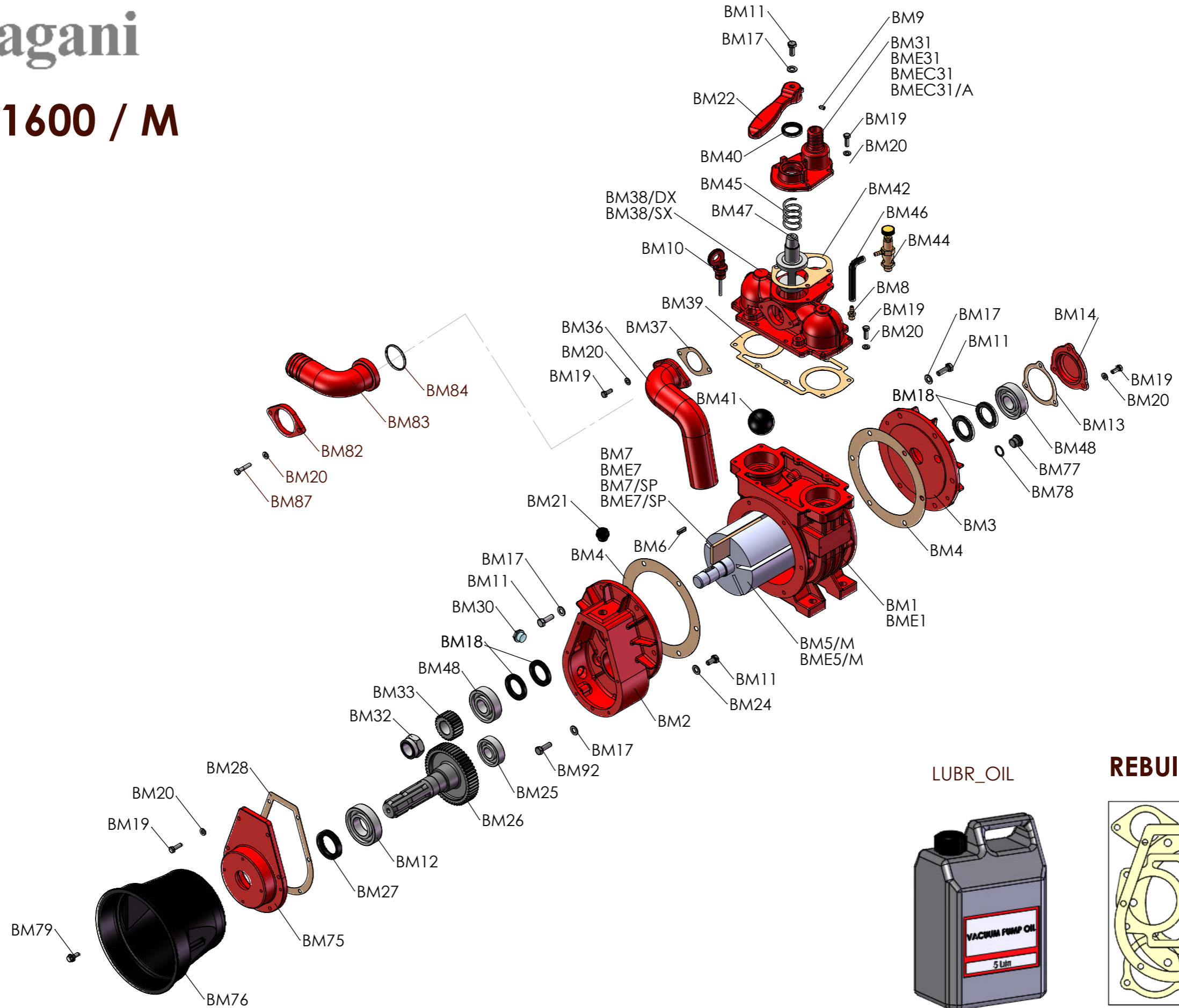
2021



Battioni® Pagani

MEC 1000-1600 / M

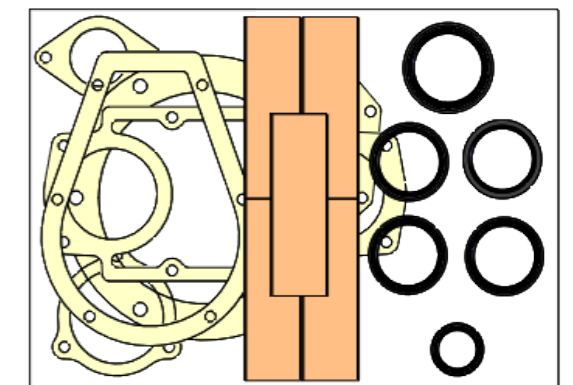
Rev. 0 - 01/05/2021



LUBR_OIL



REBUILD KIT



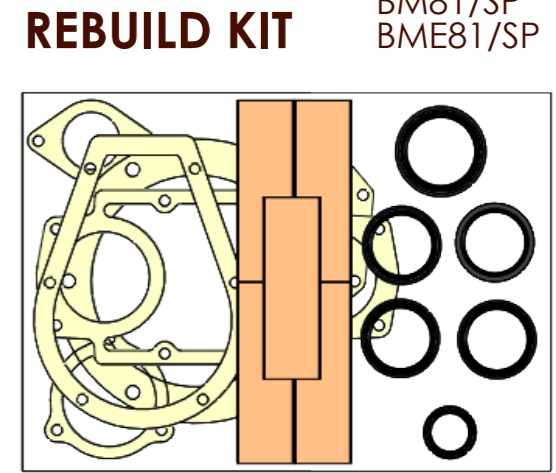
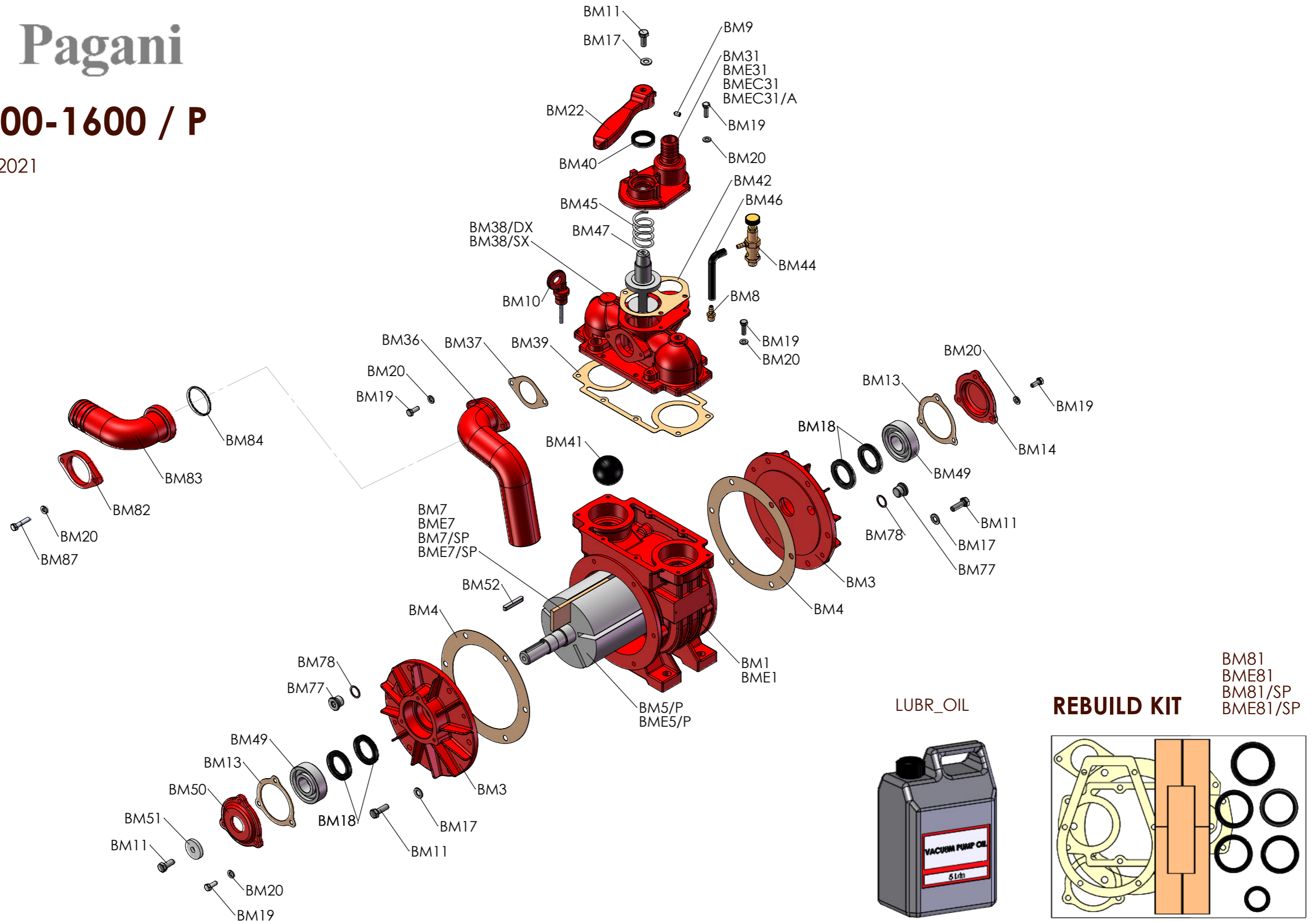
BM81
BME81
BM81/SP
BME81/SP



Battioni® Pagani

MEC 1000-1600 / P

Rev. 0 - 01/05/2021

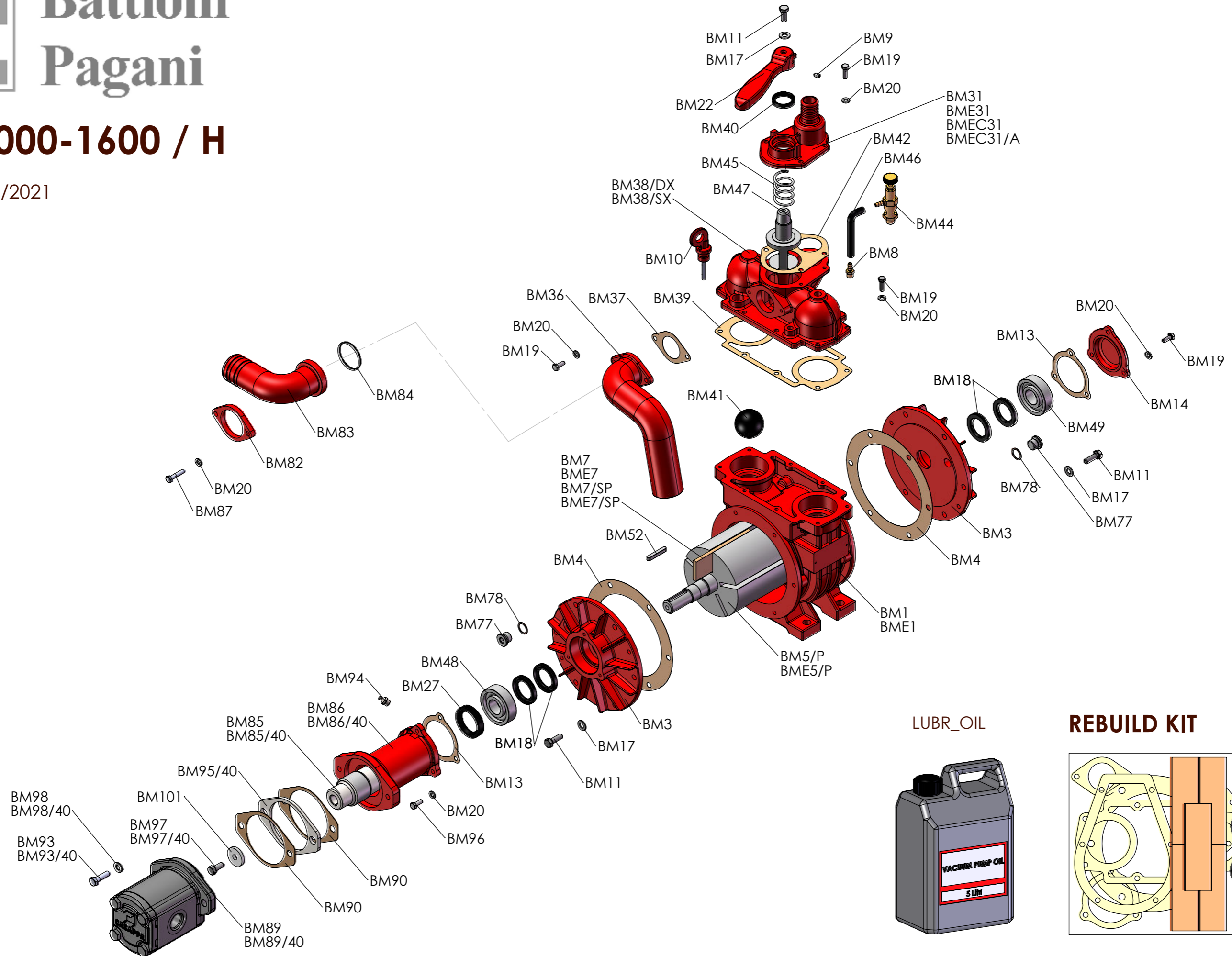




Battioni® Pagani

MEC 1000-1600 / H

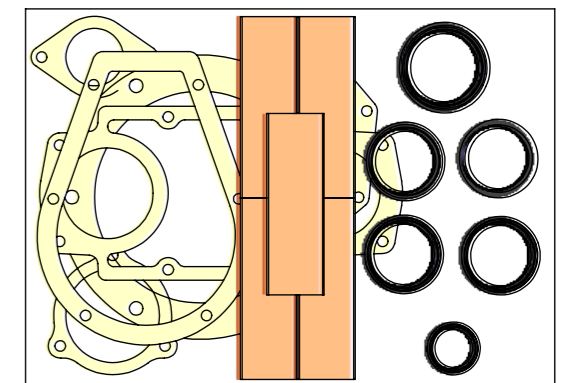
Rev. 0 - 01/05/2021



LUBR_OIL



REBUILD KIT



BM81
BME81
BM81/SP
BME81/SP

CODE	ARTICLE	DESCRIZIONE	DESCRIPTION	Q.TY	UM
BM1	4010101001	CORPO POMPA MEC 1000	HOUSING - MEC 1000	1	n
BME1	4010101002	CORPO POMPA MEC 1600	HOUSING - MEC 1600	1	n
BM2	4010301001	SCATOLA MOLT. MEC 1000-1600/M	GEARBOX - MEC 1000-1600/M	1	n
BM3	4010401001	FLANGIA ANT. POST. MEC 1000-1600	FRONT AND BACK FLANGE - MEC 1000-1600	2	n
BM4	4030108001	GUARN. FLANGIA MEC 1-1600	FLANGE GASKET - MEC 1-1600	3	n
BM5/M	4010220001	ROTORE MEC 1000/M	ROTOR - MEC 1000/M	1	n
BME5/M	4010220002	ROTORE MEC 1600/M	ROTOR - MEC 1600/M	1	n
BM5/P	4010220003	ROTORE MEC 1000/P	ROTOR - MEC 1000/P	1	n
BME5/P	4010220004	ROTORE MEC 1600/P	ROTOR - MEC 1600/P	1	n
BM6	5050707001	CHIAVETTA 5X5X20	KEY - 5X5X20	1	n
BM7	4070113001	PALETTA STANDARD MEC 1000 120X38X6.5	STANDARD BLADE - MEC 1000 120X38X6.5	5	n
BME7	4070113002	PALETTA STANDARD MEC 1600 190X38X6.5	STANDARD BLADE - MEC 1600 190X38X6.5	5	n
BM7/SP	4070113118	PALETTA LONG LIFE MEC 1000 120X38X6.5	LONG LIFE BLADE - MEC 1000 120X38X6.5	5	n
BME7/SP	4070113119	PALETTA LONG LIFE MEC 1600 190X38X6.5	LONG LIFE BLADE - MEC 1600 190X38X6.5	5	n
BM8	5040303001	RACCORDO PORTATUBO M 10X1 MM 55	CONNECTOR - M 10X1 MM 55	1	n
BM9	5051007001	GRANO M 6X10	DOWEL - M 6X10	1	n
BM10	5060100001	ASTA LIVELLO OLIO 18X55 MM	OIL LEVEL ROD - MM 18X55	1	n
BM11	5050107009	VITE M 8X20 TE	SCREW - M 8X20 TE	12	n
BM12	5012107003	CUSCINETTO A SFERE 6207	BALL BEARING - 6207	1	n
BM13	4030108002	GUARN. COPERCHIO POSTERIORE MEC 1-1600	BACK COVER GASKET - MEC 1-1600	2	n
BM14	4010601001	COPERCHIO POSTERIORE MEC 1000-1600	BACK COVER - MEC 1000/1600	1	n
BM17	5050207003	RONDELLA D 8	SMOOTH WASHER - D 8	12	n
BM18	5030300001	PARAOLIO 30X47X6	OIL SEAL - 30X47X6	4	n
BM19	5050107006	VITE M 6X20 TE	SCREW - M 6X20 TE	10	n
BM20	5050207002	RONDELLA D 6	SMOOTH WASHER - D 6	20	n
BM21	5060605001	TAPPO CARICO OLIO D 3/8" GAS	OIL PLUG - D 3/8" GAS	1	n
BM22	4010801001	MANIGLIA MEC 1-1600	HANDLE - MEC 1-1600	1	n
BM23	5050107011	VITE M 8X16 TE	SCREW - M 8X16 TE	1	n
BM24	5050202001	RONDELLA D 8X12X1,5 ALLUMINIO	ALUMINIUM WASHER - D 8X12X1,5	1	n
BM25	5012107006	CUSCINETTO A SFERE 6304	BALL BEARING - 6304	1	n
BM26	4020507001	INGR. CON ALBERO MEC 1-1600 Z53-M2	GEAR WITH SHAFT - Z53-M2 MEC 1-1600	1	n
BM27	5030300002	PARAOLIO 35X52X10	OIL SEAL - 35X52X10	1	n
BM28	4030108003	GUARN. COPERCHIO MOLT. MEC 1-1600	GEARBOX COVER GASKET - MEC 1- 1600	1	n
BM30	5060105004	TAPPO LIVELLO OLIO D 3/8" GAS	OIL LEVEL PLUG - D 3/8" GAS	1	n
BM31	4010601003	COPERCHIO COLLETTORE D 27 MEC 1000	MANIFOLD COVER - MEC 1000 D27	1	n
BME31	4010601004	COPERCHIO COLLETTORE D 45 MEC 1600	MANIFOLD COVER - MEC 1600 D45	1	n
BMEC31	4010601005	COPERCHIO COLLETTORE D 1" GAS MEC 1000	MANIFOLD COVER - MEC 1000 D1"GAS	1	n
BMEC31/A	4010601181	COPERCHIO COLLETTORE D 1"1/4 GAS MEC1000	MANIFOLD COVER - MEC 1000 D1"1/4 GAS	1	n
BM32	5050300001	DADO AUTOBLOCCANTE M 24X2X15	SELF-LOCKING NUT - M 24X2x15	1	n
BM33	4020607001	PIGNONE MEC 1-1600 Z22-M2	PINION - Z22-M2 MEC 1-1600	1	n
BM36	4010901001	CURVA DI SCARICO MEC 1-1600	EXHAUST ELBOW - MEC 1-1600	1	n
BM37	4030110001	GUARN. LATERALE COLL. MEC 1-1600	MANIFOLD SIDE GASKET - MEC 1-1600	1	n
BM38/DX	4010501001	COLLETTORE MEC 1000-1600	MANIFOLD - MEC 1000-1600	1	n
BM38/SX	4010501023	COLLETTORE MEC 1000-1600 SINISTRO	MANIFOLD - MEC 1000-1600 CCW	1	n
BM39	4030109001	GUARN. COLLETTORE MEC 1-1600	MANIFOLD GASKET - MEC 1-1600	1	n
BM40	5030300003	PARAOLIO 25X35X7 TC	OIL SEAL - 25X35X7	1	n
BM41	5060410004	SFERA IN GOMMA PESANTE D 45	RUBBER BALL - D 45	1	n
BM42	4030109002	GUARN. COPERCHIO COLL. MEC 1-1600	MANIFOLD COVER GASKET - MEC 1-1600	1	n
BM44	5040200002	RUBINETTO REGOLATORE OLIO 1 VIA	DRAIN COCK - 1 WAY	1	n
BM45	4012007001	MOLLA MEC 2-4000	SPRING - MEC 2-4000	1	n
BM46	5080110002	TUBO IN GOMMA D 5X11	RUBBER HOSE - D 5X11	0,12	m
BM47	4010701001	CONO INVERTITORE MEC 1-1600	REVERSING GEAR - MEC 1-1600	1	n
BM48	5012107007	CUSCINETTO A SFERE 6305	BALL BEARING - 6305	1	n
BM49	5012107008	CUSCINETTO A SFERE 6305 2RS	BALL BEARING - 6305 2RS	2	n
BM50	4010601006	COPERCHIO ANTERIORE MEC1000/1600 /P	FRONT COVER - MEC1000-1600 /P	1	n
BM52	5050707003	CHIAVETTA 6X6X40	KEY - 6X6X40	1	n
BM74	5050107005	VITE M 6X16 TE	SCREW - M 6X16 TE	10	n
BM75	4010601114	COPERCHIO SCATOLA MOLT. MEC 1000-1600 CE	GEARBOX COVER - MEC 1000-1600 CE	1	n

CODE	ARTICLE	DESCRIZIONE	DESCRIPTION	Q.TY	UM
BM76	4060505000	PROTEZIONE ALBERO CE	SHAFT GUARD - CE	1	n
BM77	5050906006	TAPPO M16x1.5 - DIN 908	PLUG - M16X1.5 - DIN 908	2	n
BM78	5050202007	RONDELLA D 16X20X1,5 ALLUMINIO	ALUMINIUM WASHER - D 16X20X1,5	2	n
BM79	5050107084	VITE M 6X16 TEF	SCREW - M 6X16 TEF	4	n
BM82	4010406035	FLANGIA PREMICURVA Ø45	FLANGE FOR ELBOW D45	1	n
BM83	4010901025	CURVA DI SCARICO ORIENTABILE Ø 45	REVOLVING ELBOW D45	1	n
BM84	5030210082	ANELLO TENUTA D 42.86X3.53 OR147	SEAL RING - OR147 D 42.86X3.53	1	n
BM85	4020107036	MANICOTTO DI TRASM. MOTORE IDRAULICO PLM 20,20	HYDR. MOTOR TRANSM. COUPLING PLM 20,20	1	n
BM85/40	4020107042	MANICOTTO DI TRASM. MOTORE IDRAULICO 40 cc	HYDR. MOTOR TRANSM. COUPLING 40 cc	1	n
BM86	4011001107	SUPPORTO MOTORE IDR. PLM 20,20 GR. 2	HYDR.MOTOR SUPPORT GR.2 - PLM 20,20	1	n
BM86/40	4011001159	SUPPORTO MOTORE IDR. 40 cc	HYDR.MOTOR SUPPORT 40 cc	1	n
BM87	5050107139	VITE M 6X35 TE	SCREW - M 6X35 TE	2	n
BM89	6080200326	MOTORE IDR. PLM 20.20 SO GR.2	HYDRAULIC MOTOR PLM 20.20 SO GR. 2	1	n
BM89/40	5020400044	MOTORE IDR. ORBITALE 40 cc	HYDRAULIC MOTOR 40 cc	1	n
BM90	4030108069	GUARN. SUPP. MOTORE IDRAULICO	HYDR. MOT. SUPP. GASKET	1	n
BM91	5050903001	TAPPO M 10x1 - DIN 906	PLUG - M 10X 1	2	n
BM92	5050107010	VITE M 8X25 TE	SCREW - M 8X25 TE	2	n
BM93	5050107222	VITE M 10X45 TCEI ZINCATA	GALVANIZED SCREW - M 10X45 TCEI	2	n
BM93/40	5050107223	VITE M 12X45 TCEI ZINCATA	GALVANIZED SCREW - M 12X45 TCEI	2	n
BM94	5050812001	INGRASSATORE M 10X1	LUBRICATOR - M 10X1	1	n
BM95/40	4011707160	DISTANZIALE MOTORE 40 cc	MOTOR SPACER 40 cc	1	n
BM96	5050202017	VITE M 6X20 TCEI 12,9	SCREW - M6X20 TCEI 12,9	3	n
BM97	5050107134	VITE M 8X25 TCEI ZINCATA	GALVANIZED SCREW - M8X25 TCEI	1	n
BM97/40	5050107123	VITE M 8X25 TE	SCREW - M8X25 TE	1	n
BM98	5050207024	RONDELLA Ø 10 ZINCATA	GALVANIZED WASHER Ø 10	2	n
BM98/40	5050207035	RONDELLA DI SICUREZZA Ø 12 - NORD LOCK	SAFETY WASHER Ø 12 - NORD LOCK	2	n
BM101	5050207036	RONDELLA DI SICUREZZA Ø 8 - SCHNORR	SAFETY WASHER Ø 8 - SCHNORR	1	n
BM81	6010201001	KIT REVISIONE POMPA MEC 1000 STANDARD	REBUILD KIT - MEC 1000 STANDARD	1	pcs
BME81	6010201002	KIT REVISIONE POMPA MEC 1600 STANDARD	REBUILD KIT - MEC 1600 STANDARD	1	pcs
BM81/SP	6010201014	KIT REVISIONE POMPA MEC 1000 LONG LIFE	REBUILD KIT - MEC 1000 LONG LIFE	1	pcs
BME81/SP	6010201015	KIT REVISIONE POMPA MEC 1600 LONG LIFE	REBUILD KIT - MEC 1600 LONG LIFE	1	pcs
LUBR_OIL	5070200100	OLIO BATTIONI PAGANI POMPE (5LT)	BATTIONI PAGANI VACUUM PUMP OIL (5LT)	1	pcs



Battioni®
Pagani

Setting the pace since 1953

0	01.05.2021	1° EMISSIONE	PROG	R DT	AM
REV.	DATA	MOTIVO	PREPARATO	APPROVATO	AUTORIZZATO



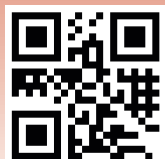
Battioni®
Pagani

Setting the pace since 1953

Via Cav. Enzo Ferrari, 2
43058 Ramoscello di Sorbolo (PR) - Italy

Ph. +39 0521 663203

Fax +39 0521 663206



www.bapag.it
info@bapag.it